

HFR

Caratteristiche Tecniche

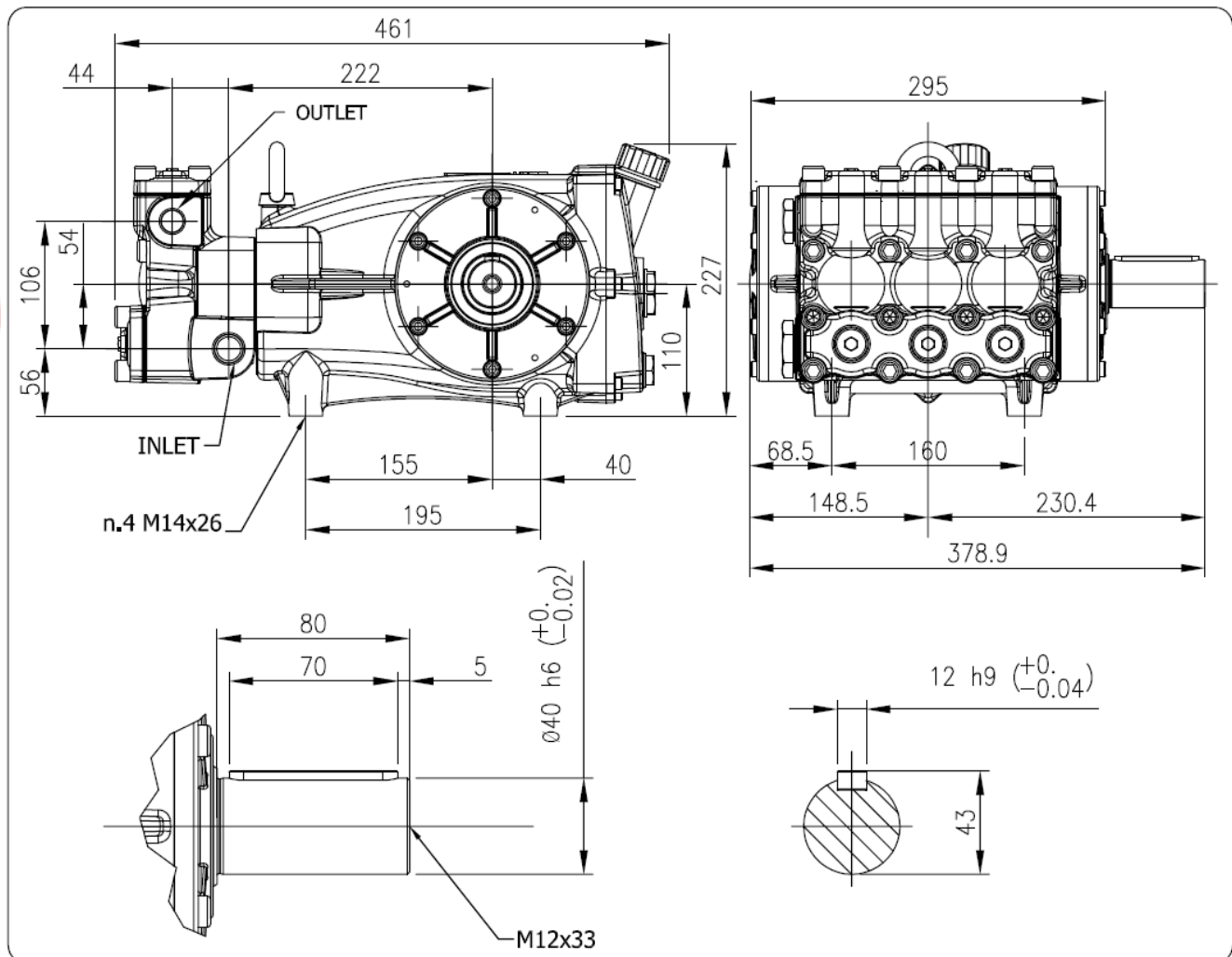
Albero maschio – Solid shaft

Technical Characteristics

Pump Pompa	Pressure Pressione		Volume Portata		RPM giri/min	Power Potenza	
			l/min	GPM		HP	kW
	bar	PSI	50 Hz	50 Hz	50 Hz	50 Hz	50 Hz
HFR40S	280	4060	40	10.6	1000	28.6	21.1
HFR60S	280	4060	60	15.9	1000	43.0	31.6
HFR80S	150	2175	80	21.1	1000	30.5	22.4
HFR105S	150	2175	105	27.7	1000	40.3	30.0
HFR120S	150	2175	120	31.7	1000	46.1	33.8
HFR40F	280	4060	40	10.6	1450	28.7	21.1
HFR60F	280	4060	60	15.9	1450	43.0	31.6
HFR80F	280	4060	80	21.1	1450	57.5	42.1

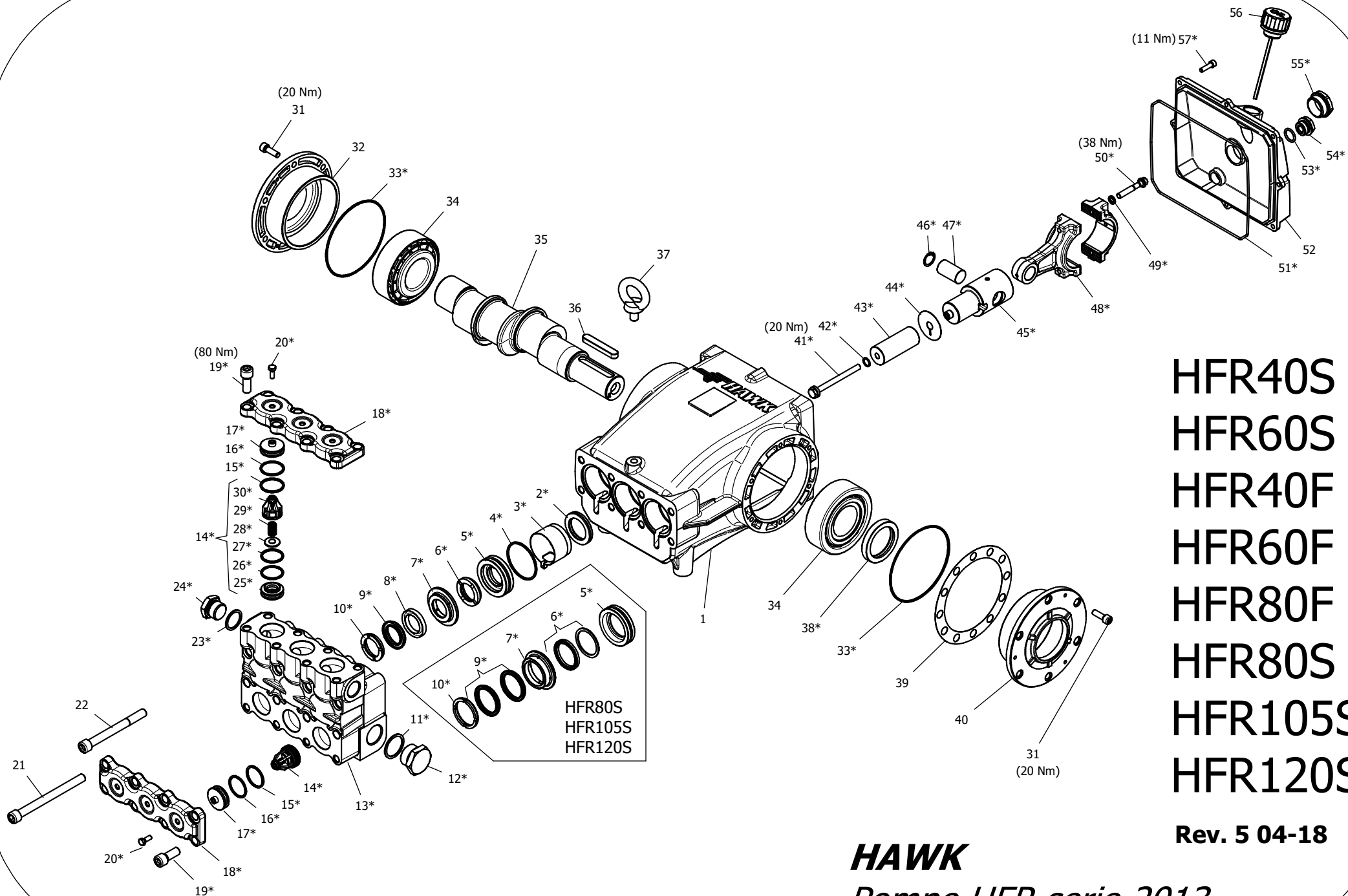
Dimensioni d' ingombro

Overall dimensions



Lubrificazione: Olio SAE 10W40
 Capacità: 3.5 Litri
 Peso pompa: 49 kg

Lubrication: SAE 10W40 Oil
 Capacity: 3.5 Litres
 Weight: 49 kg



HFR40S
HFR60S
HFR40F
HFR60F
HFR80F
HFR80S
HFR105S
HFR120S

Rev. 5 04-18

HAWK

Pompe HFR serie 2013

HFR pumps 2013 series

HFR 2013 SERIES

ORDINARY MAINTENANCE KIT / KIT MANUTENZIONE ORDINARIA

KIT	Item Pos.	Part Number Codice	Description	Descrizione	Q.TY by Pump Q.TA per Pompa	HFR40S	HFR60S	HFR40F	HFR60F	HFR80F	HFR80S	HFR105S	HFR120S
A	3x (4- 6- 8- 9 10)	1.099-807.0	PLUNGER SEALS DIA. 30 mm	GUARNIZIONI PISTONE Ø30	1	•	•	•	•	•			
	3x (4- 6- 9- 10)	1.099-809.0	PLUNGER SEALS DIA. 40 mm	GUARNIZIONI PISTONE Ø40								•	•
B	14- 15 (25- 26- 27 28- 29- 30) 16	1.905-704.0	COMPLETE VALVE	VALVOLA COMPLETA	1	•	•	•	•	•			
		1.905-705.0	COMPLETE VALVE	VALVOLA COMPLETA								•	•

EXTRAORDINARY MAINTENANCE KIT / KIT MANUTENZIONE STRAORDINARIA

KIT	Item Pos.	Part Number Codice	Description	Descrizione	Q.TY by Pump Q.TA per Pompa	HFR40S	HFR60S	HFR40F	HFR60F	HFR80F	HFR80S	HFR105S	HFR120S
C	4- 5- 6- 7- 8- 9- 10	1.905-702.0	COMPLETE SEALS PACKING DIA. 30 mm	PACCO COMPLETO GUARNIZIONI PISTONE Ø30	1	•	•	•	•	•			
	4- 5- 6- 7- 9- 10	1.905-703.0	COMPLETE SEALS PACKING DIA. 40 mm	PACCO COMPLETO GUARNIZIONI PISTONE Ø40								•	•
D	41- 42- 43- 44	1.099-813.0	PLUNGER DIA. 30 mm	PISTONE Ø30	3	•	•	•	•	•			
		1.099-814.0	PLUNGER DIA. 40 mm	PISTONE Ø40								•	•
E	3x (2- 3)	1.099-817.0	PLUNGER OIL SEALS	ANELLI TENUTA OLIO ASTA	1	•	•	•	•	•	•	•	•
F	33- 38- 53- 54- 55- 56	1.905-706.0	KIT CRANKCASE SEALS	KIT TENUTE CARTER	1	•	•	•	•	•	•	•	•
G	4- 5- 6- 7- 8- 9- 10 11- 12- 13- 14 (25 26- 27- 28- 29- 30) 15- 16- 17- 18- 19- 20- 21- 20- 23- 24	1.099-818.0	COMPLETE MANIFOLD 30	TESTATA COMPLETA Ø30	1	•	•	•	•	•			
		1.099-819.0	COMPLETE MANIFOLD 40	TESTATA COMPLETA Ø40								•	•
H	41- 42- 44- 45- 46- 47 48- 49- 50	1.905-707.0	CONNECTING ROD PLUNGER ROD ASSY	PREMONTATO ASTA-BIELLA PISTONE	3	•	•	•	•	•	•	•	•

“Q.TY by Pump” => Necessary quantity to repair one pump
 “Q.TA’ per Pompa” => Quantità necessaria per riparare una pompa

TOOL KIT

<i>Part Number Codice</i>	<i>Description</i>	<i>Descrizione</i>	<i>Q.TY by Pump Q.TA per Pompa</i>	<i>HFR40S</i>	<i>HFR60S</i>	<i>HFR40F</i>	<i>HFR60F</i>	<i>HFR80F</i>	<i>HFR80S</i>	<i>HFR105S</i>	<i>HFR120S</i>
1.904-204.0	TOOL-KIT	TOOL-KIT	1	•	•	•	•	•	•	•	•



IMPORTANT

IMPORTANTE

* **Part available ONLY in kit**
Disponibile SOLO in kit

(...) **Parts pre-assembled**
Parti pre-assemblate

PARTS LIST LISTA PARTI

Item Pos	Part Number Codice	Description	Descrizione	KIT	Q.TY Q.TÀ	HFR40S	HFR60S	HFR40F	HFR60F	HFR80F	HFR80S	HFR105S	HFR120S
1	9.851-902.0	CRANKCASE	CARTER		1								
2*		PLUNGER OIL SEAL	ANELLO RADIALE	E	3	•	•	•	•	•	•	•	•
3*		PLASTIC BUSHING	BOCCOLA CORTECO ASTE	E	3								
4*		"O" RING Ø2.62X56,82	"O" RING Ø2.62X56,82	A-C-G	3								
5*		PRESSURE RING 30MM	PRESSORE "U" Ø30	C-G	3	•	•	•	•	•			
		PRESSURE RING 40MM	PRESSORE "U" Ø40									•	•
6*		"VB" SEAL, Ø30x45	ANELLO TENUTA VB Ø30x45	A-C-G	3	•	•	•	•	•			
		"VB" SEAL, Ø40 LP	ANELLO TENUTA VB Ø40 LP									•	•
7*		INTERMED. RING 30MM	DIFFUSORE INTER. Ø30	C-G	3	•	•	•	•	•			
		INTERMED. RING 40MM	DIFFUSORE INTER. Ø40									•	•
8*		BACK RING Ø30	ANELLO ANTIESTRUSIONE Ø30	A-C-G	3	•	•	•	•	•			
9*		"V" SEAL, Ø30X45	ANELLO TENUTA "V" Ø30X45	A-C-G	3	•	•	•	•	•			
		"V" SEAL, Ø40X50X5,5	ANELLO TENUTA "V" Ø40X50X5,5	A-C-G	6	•	•	•	•	•		•	•
10*		SUPPORT RING Ø30	DIFFUSORE "V" Ø30	C-G	3	•	•	•	•	•			
		SUPPORT RING Ø40	DIFFUSORE "V" Ø40	C-G								•	•
11*		COPPER WASHER	GUARNIZIONE RAME G1	G	1								
		BONDED SEAL 1" ¼ NBR	BONDED SEAL 1" ¼ NBR	G		•	•	•	•	•	•	•	•
12*		BRASS PLUG G1"	TAPPO G1" OTTONE	G	1								
		BRASS PLUG G1" 1/4	TAPPO G1" ¼ OTTONE	G									
13*		MANIFOLD HOUSING Ø30	TESTATA Ø30	G	1	•	•	•	•	•			
		MANIFOLD HOUSING Ø40	TESTATA Ø40									•	•
14*		VALVE ASSEMBLY	VALVOLA PREMONTATA	B-G	6	•	•	•	•	•			
		VALVE ASSEMBLY	VALVOLA PREMONTATA									•	•
15*		"O" RING Ø2.62X31,42	"O" RING Ø2.62X31,42	B-G	6								
16*		BACK RING	ANELLO ANTIESTRUSIONE	B-G	6								
17*		VALVE PLUG	TAPPO VALVOLA	G	6								
18*		VALVES COVER	COPERCHIO VAM	G	2								
19*		VALVE COVER SCREW	VITE TCEI M12X30 UNI 5931	G	12	•	•	•	•	•	•	•	•
20*		VALVE PLUG SCREW	VITE TE M6X16 UNI 5739	G	6								
21	9.851-471.0	MANIFOLD STUD BOLT	VITE TCEI M12X140 UNI 5931		4								
22	9.851-472.0	MANIFOLD STUD BOLT	VITE TCEI M12X120 UNI 5931		4								
23*		COPPER WASHER	GUARNIZIONE RAME G 3/4	G	1								
24*		INOX PLUG G3/4	TAPPO G3/4 INOX	G	1								
25*		VALVE SEAT	SEDE VALVOLA	B-G	6	•	•	•	•	•			
		VALVE SEAT	SEDE VALVOLA	B-G	6						•	•	•
26*		BACK RING	ANELLO ANTIESTRUSORE	B-G	6								
27*		"O" RING Ø2.62X28.25	"O" RING Ø2.62X28.25	B-G	6								
28*		VALVE PLATE	PIATTELLO VALVOLA	B-G	6	•	•	•	•	•	•	•	•
29*		VALVE SPRING	MOLLA VALVOLA	B-G	6								

Item Pos	Part Number Codice	Description	Descrizione	KIT	Q.TY Q.TÀ	HFR40S	HFR60S	HFR40F	HFR60F	HFR80F	HFR80S	HFR105S	HFR120S
30*		VALVE CAGE	GABBIA VALVOLA	B-G	6								
31	9.851-468.0	BEARING HOUSING SCREW	VITE TCEI M8X25 UNI 5931		12								
32	9.850-646.0	CLOSED BEARING SCREW	FLANGIA CHIUSA		1	•	•	•	•	•	•	•	•
33*		"O" RING Ø2.62X120.32	"O" RING Ø2.62X120.32	F	2								
34	9.850-353.0	ROLLER BEARING	CUSCINETTO 32310 RULLI CONICI		2								
35	9.850-181.0	SINGLE-ENDED CRANCKSHAFT	ALBERO SINGOLA P.D.F		1	•							
	9.850-182.0	" " " "	" " " "		1		•						
	9.850-183.0	" " " "	" " " "		1			•					
	9.850-184.0	" " " "	" " " "		1				•		•		
	9.850-185.0	" " " "	" " " "		1					•		•	
	9.850-186.0	" " " "	" " " "		1								•
36	9.850-449.0	CRANKSHAFT KET	CHIAVETTA		1								
37	9.851-454.0	EYEBOLT	GOLFARE M12		1								
38*		CRANKSHAFT SEAL	ANELLO RADIALE	F	1								
39	9.850-549.0	SHIM	DISTANZIALE		1	•	•	•	•	•	•	•	•
40	9.850-645.0	BEARING HOUSING	FLANGIA APERTA		1								
41*		PLUNGER BOLT	VITE PISTONE	D-H	3								
42*		"O" RING Ø1.78X11.11	"O" RING Ø1.78X11.11	D-H	3								
43*		PLUNGER DIA. 30	PISTONE Ø30	D	3	•	•	•	•	•			
		PLUNGER DIA. 40	PISTONE Ø40	D							•	•	•
44*		COPPER SPACER	ROSETTA RAME PISTONE	D	3								
45*		PLUNGER ROD	ASTA PISTONE	H	3								
46*		SNAP RING	ANELLO Ø22	H	6								
47*		CONNECTING ROD PIN	SPINOTTO	H	3								
48*		CONNECTING ROD	BIELLA	H	3								
49*		SPRING WASHER	ROSETTA ELASTICA Ø8	H	6								
50*		CONNECTING ROD SCREW	VITE BIELLA	H	6	•	•	•	•	•	•	•	•
51*		"O" RING Ø2.62X209.23	"O" RING Ø2.62X209.23	F	1								
52	9.850-386.0	CRANKCASE COVER	COPERCHIO CARTER		1								
53*		"O" RING Ø2.62X17.13	"O" RING Ø2.62X17.13	F	1								
54*		BRASS PLUG G 1/2	TAPPO OTTONE G 1/2	F	1								
55*		SIGHT GLASS, G 1"	SPIA LIVELLO OLIO G1"	F	1								
56*		OIL DIP STICK G ¾	TAPPO SFIATO OLIO G 3/4	F	1								
57	9.851-480.0	COVER SCREW	VITE COPERCHIO		5								