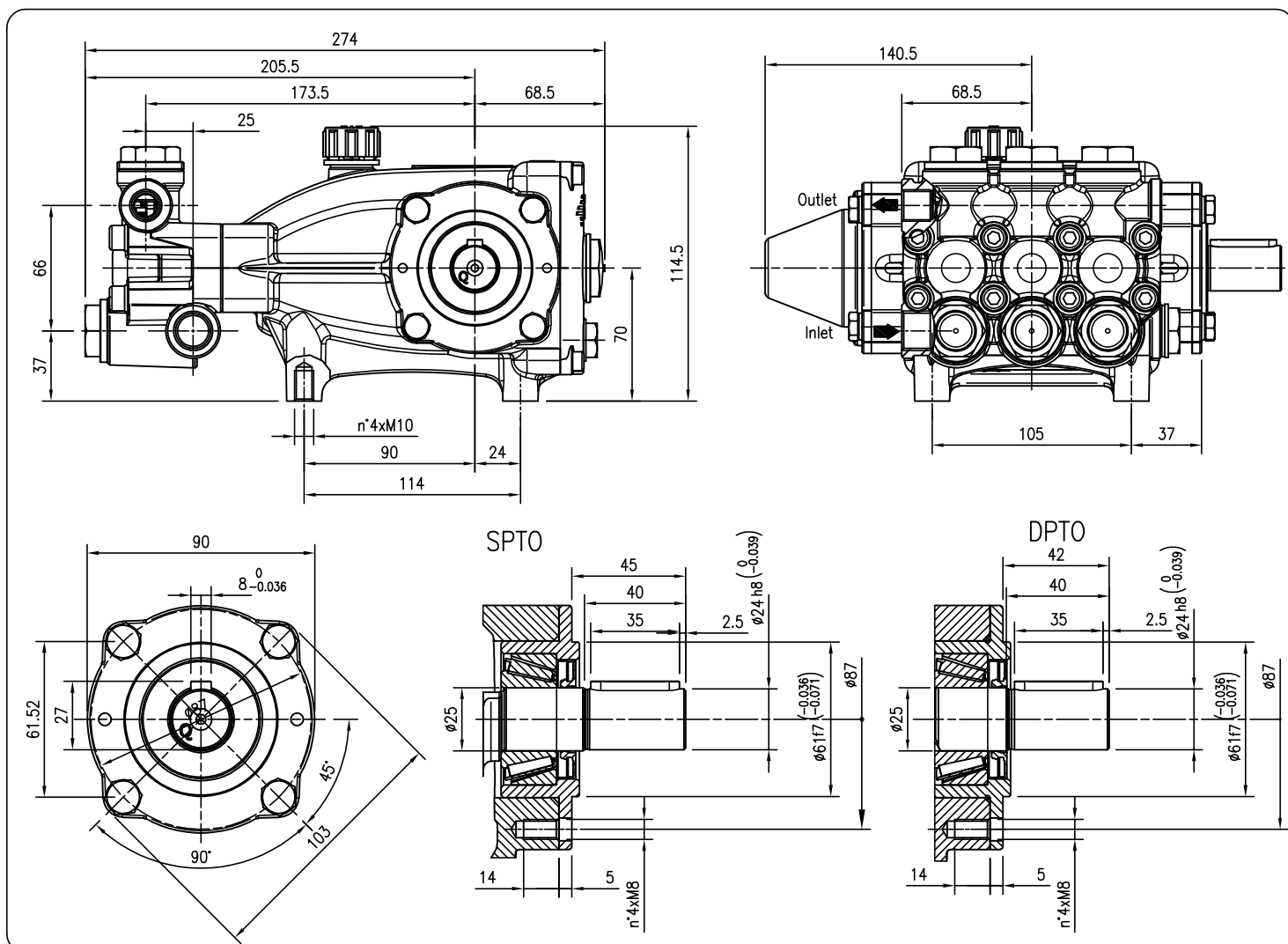


Pump Pompe Pumpen Pompa	Pressure Pression Druck Pressione		Volume Débit Leistung Portata		RPM tours/min u.p.m. giri/min	Required HP Puissance HP Leistung HP Potenza HP	Inlet port Entrée Eingang Aspirazione	Outlet Sortie Ausgang Mandata	Weight Kg Poids Kg Gewicht Kg Peso Kg
	bar	PSI	l/min	GPM					
NPM1225	250	3625	12	3.2	1450	7.7	G 1/2	G 3/8	9.5
			14.4	3.8	1740	9.2			
NPM1525	250	3625	15	4.0	1450	9.6	G 1/2	G 3/8	9.5
			18	4.7	1740	11.5			
NPM1825	250	3625	18	4.7	1450	11.5	G 1/2	G 3/8	9.5
			21.6	5.6	1740	13.8			

Dimensioni d'ingombro

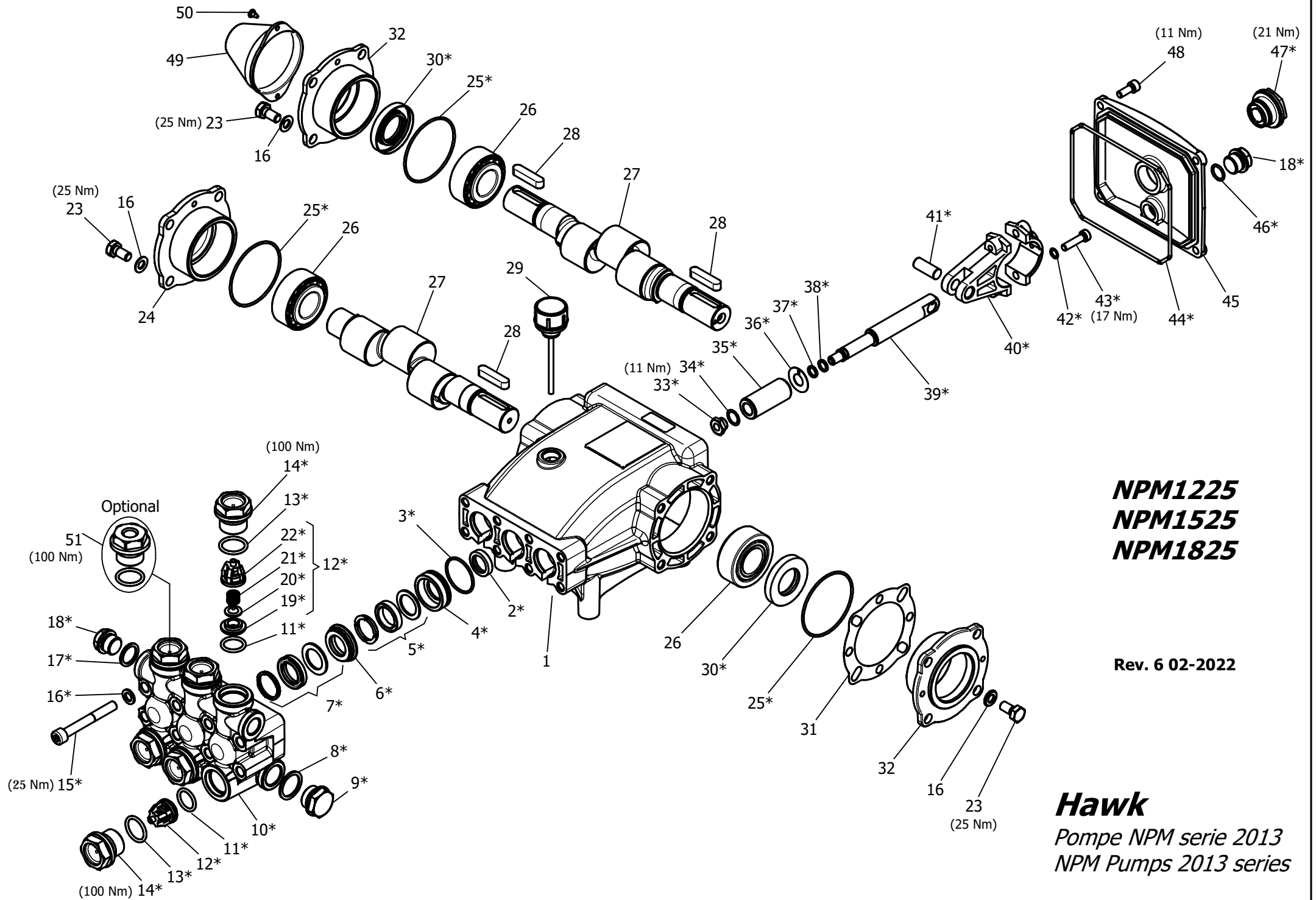
Overall dimensions



Lubrificazione: Olio SAE 10/W40
Capacità 0.7 litri

Rev. 6 - 02/2022

Lubrication: SAE 10/W40 Oil
Capacity 0.7 liters



**NPM1225
NPM1525
NPM1825**

Rev. 6 02-2022

Hawk
Pompe NPM serie 2013
NPM Pumps 2013 series

NPM 2013 SERIES

ORDINARY MAINTENANCE KIT / KIT MANUTENZIONE ORDINARIA

KIT	Item Pos.	Part Number Codice	Description	Descrizione	Q.TY by Pump Q.TA per Pompa	NPM1225RL	NPM1525RL	NPM1825B	NPM1825RL
A	3- 5- 7	1.099-754.0	PLUNGER SEALS DIA. 18 mm	GUARNIZIONI PISTONE Ø18	1				
B	11- 12- 13 (19- 20- 21 22)	1.905-543.0	COMPLETE VALVE	VALVOLA COMPLETA	1	•	•	•	•

EXTRAORDINARY MAINTENANCE KIT / KIT MANUTENZIONE STRAORDINARIA

KIT	Item Pos.	Part Number Codice	Description	Descrizione	Q.TY by Pump Q.TA per Pompa	NPM1225RL	NPM1525RL	NPM1825B	NPM1825RL
C	3- 4- 5- 6- 7	1.905-652.0	COMPLETE SEALS PACKING DIA. 18 mm	PACCO COMPLETO GUARNIZIONI PISTONE Ø18	1				
D	33- 34- 35 36- 37- 38	1.099-756.0	PLUNGER DIA. 18 mm	PISTONE Ø18	3				
E	2	1.099-751.0	PLUNGER OIL SEALS	ANELLI TENUTA OLIO ASTA	1				
F	18- 25- 30 44- 46- 47	1.905-542.0	KIT CRANKCASE SEALS	KIT TENUTE CARTER	1				
G	3- 4- 5- 6- 7 8- 9- 10- 11 12- 13- 14 15- 16- 17 18 (19- 20 21- 22)	1.099-757.0	COMPLETE MANIFOLD	TESTATA COMPLETA	1	•	•	•	•
H	33- 34- 37 38- 39- 40 41- 42- 43	1.905-544.0	CONNECTING ROD PLUNGER ROD ASSY	PREMONTATO ASTA-BIELLA PISTONE	3				
I	13- 14	1.904-251.0	VALVE PLUG ASSY	PREMONTATO TAPPO VAM	6				

“Q.TY by Pump” => Necessary quantity to repair one pump
 “Q.TA’ per Pompa” => Quantità necessaria per riparare una pompa

OPTIONAL

Item Pos.	Part Number Codice	Description	Descrizione	Q.TY by Pump Q.TA per Pompa	NPM1225RL	NPM1525RL	NPM1825B	NPM1825RL
51	9.853-426.0	THREADED BRASS PLUG G1/4	PREMONTATO TAPPO FORATO	1	•	•	•	•

TOOL KIT

Part Number Codice	Description	Descrizione	Q.TY by Pump Q.TA per Pompa	NPM1225RL	NPM1525RL	NPM1825B	NPM1825RL
1.099-667.0	TOOL-KIT	TOOL-KIT	1	•	•	•	•
1.904-414.0	OIL SEAL EXTRACTOR TOOL-KIT	TOOL-KIT ESTRAZIONE PARAOLIO	1				

IMPORTANT

IMPORTANTE

* Part available **ONLY** in kit
Disponibile **SOLO** in kit

(...) Parts pre-assembled
Parti pre-assemblate

PARTS LIST LISTA PARTI

Item Pos	Part Number Codice	Description	Descrizione	KIT	Q.TY Q.TA	NPM1225RL	NPM1525RL	NPM1825B	NPM1825RL
1	9.850-375.0	CRANKCASE	CARTER		1				
2*		PLUNGER OIL SEAL	ANELLO RADIALE	E	3				
3*		"O" RING Ø1.78X31.47	"O" RING Ø1.78X31.47	A-C-G	3				
4*		PRESSURE RING 18 MM	PRESSORE "U" Ø18	C-G	3				
5*		LOW PRESSURE "U" SEAL, DIA.18 MM	ANELLO TENUTA "U" Ø18	A-C-G	3				
6*		INTERMED. RING 18 MM	DIFFUSORE INTER. Ø18	C-G	3				
7*		HIGH PRESSURE "U" SEAL, DIA.18 MM	ANELLO TENUTA "U" Ø18	A-C-G	3				
8*		COPPER WASHER G1/2	GUARNIZIONE RAME	G	1				
9*		PLUG G1/2	TAPPO G1/2	G	1				
10*		MANIFOLD HOUSING	TESTATA	G	1				
11*		"O" RING Ø2.62X17.13	"O" RING Ø2.62X17.13	B-G	6				
12*		VALVE ASSEMBLY	VALVOLA PREMONTATA	B-G	6	•	•	•	•
13*		"O" RING Ø2.62X20.29	"O" RING Ø2.62X20.29	B-G-I	6				
14*		VALVE PLUG	TAPPO VALVOLA	G-I	6				
15*		MANIFOLD STUD BOLT M8X65 GEOMET	VITE M8X65 GEOMET	G	8				
16*		WASHER Ø8,5	ROSETTA Ø8.5	G	16				
17*		COPPER WASHER G3/8	GUARNIZIONE RAME	G	1				
18*		PLUG G3/8	TAPPO G3/8	G-F	2				
19*		VALVE SEAT	SEDE VALVOLA	B-G	6				
20*		VALVE PLATE	PIATTELLO VALVOLA	B-G	6				
21*		VALVE SPRING	MOLLA VALVOLA	B-G	6				
22*		VALVE CAGE	GABBIA VALVOLA	B-G	6				
23	9.851-501.0	HEXAGONAL SCREW M8X18	VITE M8X18		8				
24	9.850-626.0	CLOSED BEARING HOUSING	FLANGIA CHIUSA		→	1	1	2	1
25*		"O" RING Ø1.78X60.05	"O" RING Ø1.78X60.05	F	2	•	•	•	•
26	9.850-349.0	ROLLER BEARING 33205	CUSCINETTO A RULLI 33205		2	•	•	•	•
27	9.850-176.0	SINGLE - ENDED SHAFT	ALBERO SEMPLICE P.D.F.		1		•		
	9.850-177.0	" " "	" " "		1	•			
	9.850-180.0	" " "	" " "		1				•
	9.850-258.0	" " "	" " "		1			•	
28	9.850-446.0	CRANKSHAFT KEY	CHIAVETTA		→	1	1	2	1
29	9.851-286.0	OIL DIP STICK	TAPPO LIVELLO OLIO		1	•	•	•	•
30*		CRANKSHAFT SEAL	ANELLO RADIALE	F	→	1	1	2	1
31	9.850-547.0	SHIM	DISTANZIALE		1	•	•	•	•
32	9.850-625.0	BEARING HOUSING	FLANGIA		→	1	1	2	1
33*		PLUNGER NUT	DADO PISTONE	D-H	3				
34*		COPPER SPACER Ø 11.2/15X0.5	ROSETTA RAME Ø 1.2/15X0.5	D-H	3				
35*		PLUNGER 18 MM	PISTONE Ø18	D	3	•	•	•	•
36*		COPPER SPACER Ø 11.3/24X0.5	ROSETTA RAME Ø 1.3/24X0.5	D	3				

Item Pos	Part Number Codice	Description	Descrizione	KIT	Q.TY Q.TA	NPM1225RL	NPM1525RL	NPM1825B	NPM1825RL
37*		"O" RING Ø1.78X7.66	"O" RING Ø1.78X7.66	D-H	3				
38*		TEFLON RING	ANELLO ANTIESTRUSIONE	D-H	3				
39*		PLUNGER ROD	ASTA PISTONE	H	3				
40*		CONNECTING ROD	BIELLA	H	3				
41*		CONNECTING ROD PIN	SPINOTTO	H	3				
42*		SPRING WASHER Ø6	ROSETTA ELASTICA Ø6	H	6				
43*		CONNECTING ROD SCREW M6X30	VITE M6X30	H	6	•	•	•	•
44*		"O" RING Ø 2.62X126.67	"O" RING Ø 2.62X126.67	F	1				
45	9.850-388.0	CRANKCASE COVER	COPERCHIO POSTERIORE		1				
46*		"O" RING Ø1.78X14	"O" RING Ø1.78X14	F	1				
47*		SIGHT GLASS, G3/4	SPIA LIVELLO OLIO G3/4	F	1				
48	9.851-474.0	SCREW M6X16	VITE M6X16		4				
49	9.850-442.0	SHAFT PROTECTOR	CAPPELLOTTO PROTEZ.		1			•	
50	9.851-528.0	SHAFT PROTECTOR SCREW	VITE CAPPELLOTTO		2				