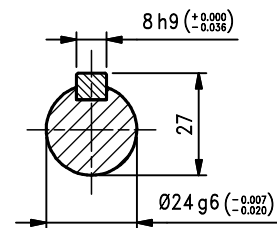
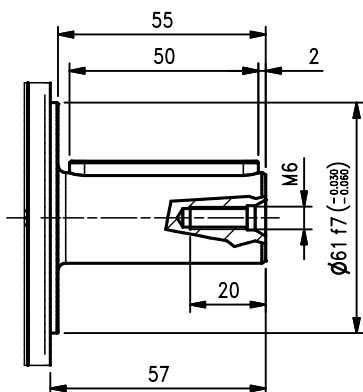
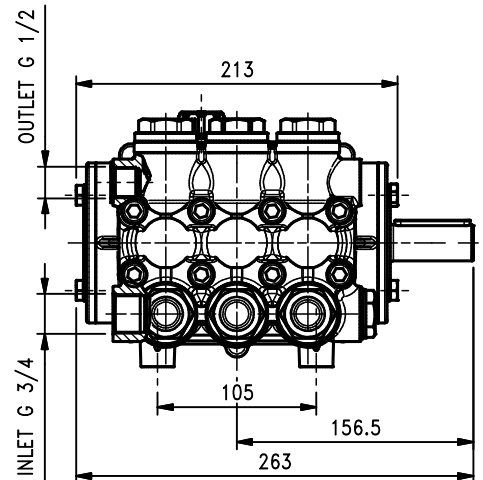
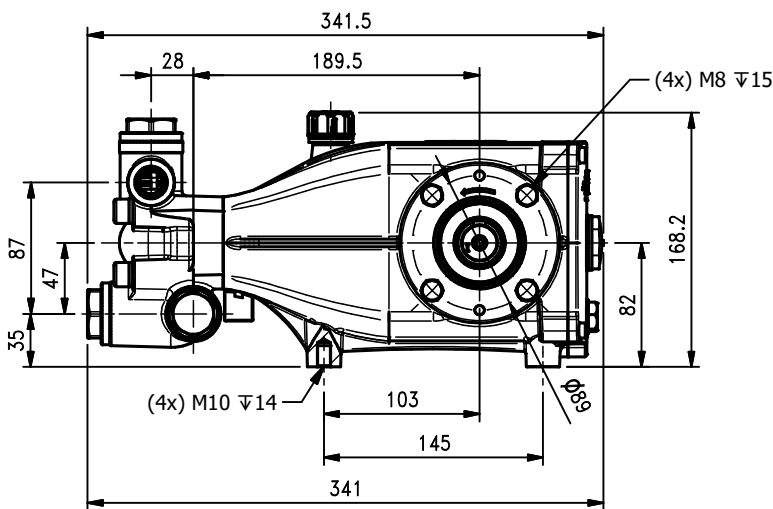
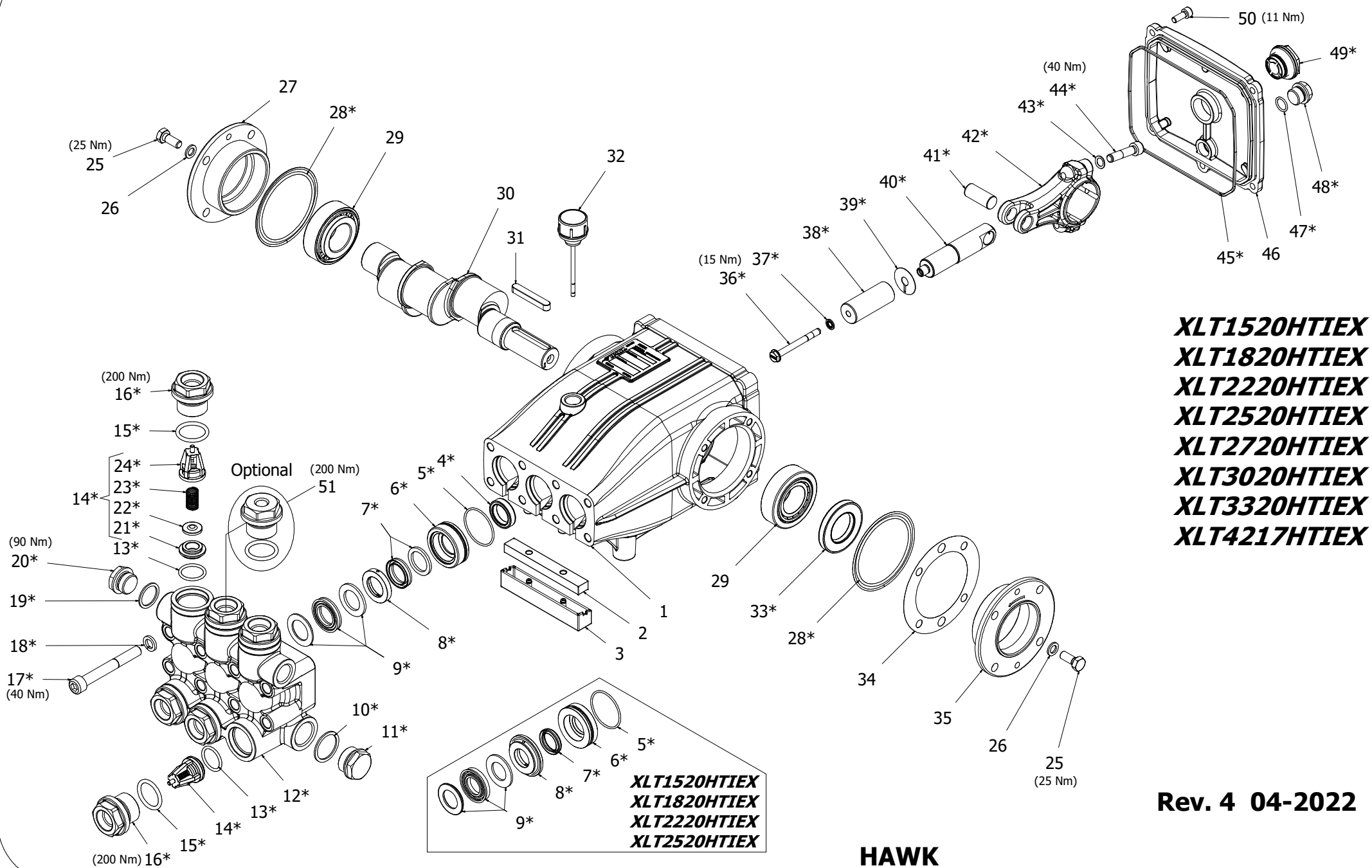


Pump Pompa	Pressure Pressione		Volume Portata				RPM giri/min		Power Potenza			
			l/min		GPM				HP		kW	
	bar	PSI	50 Hz	60 Hz	50 Hz	60 Hz	50 Hz	60 Hz	50 Hz	60 Hz	50 Hz	60 Hz
XLT1520HTIEX	200	2900	15	18	4.0	4.7	1450	1740	7.9	9.4	5.8	6.9
XLT1820HTIEX	200	2900	18	22	4.8	5.8	1450	1740	9.4	11.3	6.9	8.3
XLT2220HTIEX	200	2900	22	26	5.8	7.0	1450	1740	11.6	13.9	8.5	10.2
XLT2520HTIEX	200	2900	25	30	6.6	7.9	1450	1740	13.1	15.7	9.6	11.5
XLT2720HTIEX	200	2900	27	31	7.1	8.6	1450	1740	13.7	16.4	10.1	12.1
XLT3020HTIEX	200	2900	30	36	7.9	9.5	1450	1740	15.3	18.4	11.3	13.6
XLT3320HTIEX	200	2900	33	40	8.7	10.4	1450	1740	16.9	20.3	12.5	15.0
XLT4217HTIEX	170	2465	42	50	11.2	13.4	1450	1740	18.5	22.2	13.6	16.3

Dimensioni d'ingombro

Overall dimensions





***XLT1520HTIEX  
 XLT1820HTIEX  
 XLT2220HTIEX  
 XLT2520HTIEX  
 XLT2720HTIEX  
 XLT3020HTIEX  
 XLT3320HTIEX  
 XLT4217HTIEX***

***XLT1520HTIEX  
 XLT1820HTIEX  
 XLT2220HTIEX  
 XLT2520HTIEX***

**Rev. 4 04-2022**

**HAWK  
 Pompe XLT HT I EX serie 2018  
 XLT HT I EX pumps 2018 series**

## XLT HT I EX 2018 SERIES

### ORDINARY MAINTENANCE KIT / KIT MANUTENZIONE ORDINARIA

KIT	Item Pos.	Part Number Codice	Description	Descrizione	Q.TY by Pump Q.TA per Pompa	XL T1520HTIEX	XL T1820HTIEX	XL T2220HTIEX	XL T2520HTIEX	XL T2720HTIEX	XL T3020HTIEX	XL T3320HTIEX	XL T4217HTIEX
A	5- 7- 9	1.099-855.0	PLUNGER SEALS DIA. 20 mm	GUARNIZIONI PISTONE Ø20	1	•	•	•	•				
	5- 7- 9	1.904-918.0	PLUNGER SEALS DIA. 22 mm	GUARNIZIONI PISTONE Ø22						•	•	•	•
B	13- 14 (21 22- 23- 24) 15	1.905-687.0	COMPLETE VALVE	VALVOLA COMPLETA	1	•	•	•	•	•	•	•	•

### EXTRAORDINARY MAINTENANCE KIT / KIT MANUTENZIONE STRAORDINARIA

KIT	Item Pos.	Part Number Codice	Description	Descrizione	Q.TY by Pump Q.TA per Pompa	XL T1520HTIEX	XL T1820HTIEX	XL T2220HTIEX	XL T2520HTIEX	XL T2720HTIEX	XL T3020HTIEX	XL T3320HTIEX	XL T4217HTIEX
C	5- 6- 7- 8- 9	1.905-644.0	COMPLETE SEALS PACKING DIA. 20 mm	PACCO COMPLETO GUARNIZIONI PISTONE Ø20	1	•	•	•	•				
		1.904-919.0	COMPLETE SEALS PACKING DIA. 22 mm	PACCO COMPLETO GUARNIZIONI PISTONE Ø22						•	•	•	•
D	36- 37- 38 39	1.099-763.0	PLUNGER DIA. 20 mm	PISTONE Ø20	3	•	•	•	•				
		1.099-776.0	PLUNGER DIA. 22 mm	PISTONE Ø22						•	•	•	•
E	4	1.905-545.0	PLUNGER OIL SEALS	ANELLI TENUTA OLIO ASTA	1	•	•	•	•	•	•	•	•
F	28- 33- 45 47- 48- 49	1.905-613.0	KIT CRANKCASE SEALS	KIT TENUTE CARTER	1	•	•	•	•	•	•	•	•
G	5- 6- 7- 8 9- 10- 11- 12 13- 14 (21 22- 23- 24) 15- 16- 17 18- 19- 20	1.099-859.0	COMPLETE MANIFOLD 20	TESTATA COMPLETA Ø20	1	•	•	•	•				
		1.099-860.0	COMPLETE MANIFOLD 22	TESTATA COMPLETA Ø22						•	•	•	•
H	40- 41- 42 43- 44	1.904-180.0	CONNECTING ROD PLUNGER ROD ASSY	PREMONTATO ASTA-BIELLA PISTONE	1	•	•	•	•				
		1.904-182.0	CONNECTING ROD PLUNGER ROD ASSY	PREMONTATO ASTA-BIELLA PISTONE						•	•	•	•
I	15- 16	1.904-325.0	VALVE PLUG ASSY	PREMONTATO TAPPO VAM	1	•	•	•	•	•	•	•	•

“Q.TY by Pump” => Necessary quantity to repair one pump  
 “Q.TA’ per Pompa” => Quantità necessaria per riparare una pompa

### OPTIONAL

Item Pos.	Part Number Codice	Description	Descrizione	Q.TY by Pump Q.TA per Pompa	XLT1520HTIEX	XLT1820HTIEX	XLT2220HTIEX	XLT2520HTIEX	XLT2720HTIEX	XLT3020HTIEX	XLT3320HTIEX	XLT4217HTIEX
51	9.853-427.0	THREADED BRASS PLUG G1/4	PREMONTATO TAPPO FORATO	1	•	•	•	•	•	•	•	•

### TOOL KIT

Part Number Codice	Description	Descrizione	Q.TY by Pump Q.TA per Pompa	XLT1520HTIEX	XLT1820HTIEX	XLT2220HTIEX	XLT2520HTIEX	XLT2720HTIEX	XLT3020HTIEX	XLT3320HTIEX	XLT4217HTIEX
1.099-665.0	TOOL-KIT	TOOL-KIT	1	•	•	•	•	•	•	•	•
1.905-659.0	OIL SEAL EXTRACTOR TOOL-KIT	TOOL-KIT ESTR. PARAOLIO	1								

### IMPORTANT

### IMPORTANTE

\* **Part available ONLY in kit**  
**Disponibile SOLO in kit**

(...) **Parts pre-assembled**  
**Parti pre-assemblate**

### PARTS LIST LISTA PARTI

Item Pos	Part Number Codice	Description	Descrizione	KIT	Q.TY Q.TÀ	XL T1520HTIEX	XL T1820HTIEX	XL T2220HTIEX	XL T2520HTIEX	XL T2720HTIEX	XL T3020HTIEX	XL T3320HTIEX	XL T4217HTIEX
1	9.850-377.0	CRANKCASE	CARTER		1								
2	9.851-277.0	POLYESTER FIBER SPONGE	SPUGNA POLIESTERE		1								
3	9.851-443.0	DRAINAGE TANK	VASCETTA		1	•	•	•	•	•	•	•	•
4*		PLUNGER OIL SEAL	ANELLO RADIALE	E	3								
5*		"O" RING Ø1.78X37.82	"O" RING Ø1.78X37.82	A-C-G	3								
6*		PRESSURE RING 20MM	PRESSORE "U" Ø20	C-G	3	•	•	•	•				
		PRESSURE RING 22MM	PRESSORE "U" Ø22							•	•	•	•
7*		LOW PRESSURE "U" SEAL, DIA.20MM	ANELLO TENUTA "U" Ø20	A-C-G	3	•	•	•	•				
		LOW PRESSURE "U" SEAL, DIA.22MM	ANELLO TENUTA "U" Ø22								•	•	•
8*		INTERMED. RING 20MM	DIFFUSORE INTER. Ø20	C-G	3	•	•	•	•				
		INTERMED. RING 22MM	DIFFUSORE INTER. Ø22								•	•	•
9*		HIGH PRESSURE "U" SEAL, DIA.20MM	ANELLO TENUTA "U" Ø20	A-C-G	3	•	•	•	•				
		HIGH PRESSURE "U" SEAL, DIA.22MM	ANELLO TENUTA "U" Ø22								•	•	•
10*		COPPER WASHER G 3/4	GUARNIZIONE RAME G 3/4	G	1								
11*		BRASS PLUG G 3/4	TAPPO G3/4	G	1								
12*		MANIFOLD HOUSING 22/20	TESTATA Ø22/20	G	1								
13*		"O" RING Ø2.62X21.89	"O" RING Ø2.62X21.89	B-G	6								
14*		VALVE ASSEMBLY	VALVOLA PREMONTATA	B-G	6								
15*		"O" RING Ø2.62X25.80	"O" RING Ø2.62X25.80	B-G	6								
16*		VALVE PLUG	TAPPO VALVOLA	G	6								
17*		MANIFOLD STUD BOLT	VITE M10X80 GEOMET	G	8								
18*		LOCK-WASHER	ROSETTA ELASTICA	G	8								
19*		COPPER WASHER G1/2	GUARNIZIONE RAME G1/2	G	1	•	•	•	•	•	•	•	•
20*		BRASS PLUG G1/2	TAPPO G1/2	G	1								
21*		VALVE SEAT	SEDE VALVOLA	B-G	6								
22*		VALVE PLATE	PIATTELLO VALVOLA	B-G	6								
23*		VALVE SPRING	MOLLA VALVOLA	B-G	6								
24*		VALVE CAGE	GABBIA VALVOLA	B-G	6								
25	9.851-503.0	HEXAGONAL SCREW	VITE M8X20		8								
26	9.851-114.0	WASHER DIA. 8.5	ROSETTA Ø8.5		8								
27	9.850-620.0	CLOSED BEARING HOUSING	FLANGIA CHIUSA		1								
28*		"O" RING Ø2.62X71.12	"O" RING Ø2.62X71.12	F	2								
29	9.850-347.0	ROLLER BEARING	CUSCINETTO A RULLI		2								
30	9.850-191.0	CRANKSHAFT DIA. 24 MM	ALBERO Ø24		1								•
	9.850-192.0	" " " "	" "					•		•			
	9.850-193.0	" " " "	" "						•		•		
	9.850-194.0	" " " "	" "				•						
	9.850-195.0	" " " "	" "										•
	9.850-222.0	" " " "	" "				•						

Item Pos	Part Number Codice	Description	Descrizione	KIT	Q.TY Q.TÀ	XLT1520HT/EX	XLT1820HT/EX	XLT2220HT/EX	XLT2520HT/EX	XLT2720HT/EX	XLT3020HT/EX	XLT3320HT/EX	XLT4217HT/EX
31	9.850-447.0	CRANKSHAFT KET	CHIAVETTA		1								
32	9.851-287.0	OIL DIP STICK	TAPPO LIVELLO OLIO		1								
33*		CRANKSHAFT SEAL	ANELLO RADIALE	F	1								
34	9.850-546.0	SHIM	DISTANZIALE		1								
35	9.850-604.0	BEARING HOUSING (RIGHT VERSION)	FLANGIA APERTA (VERSIONE DESTRA)		1	•	•	•	•	•	•	•	•
	9.850-605.0	BEARING HOUSING (LEFT VERSION)	FLANGIA APERTA (VERSIONE SINISTRA)		1								
36*		PLUNGER BOLT	VITE PISTONE	D	3								
37*		BONDED SEAL	BONDED SEAL	D	3								
38*		PLUNGER DIA. 20 MM	PISTONE Ø20	D	3	•	•	•	•				
		PLUNGER DIA. 22 MM	PISTONE Ø22	D						•	•	•	•
39*		COPPER SPACER	ROSETTA RAME	D	3	•	•	•	•	•	•	•	•
40*		PLUNGER ROD	ASTA PISTONE	H	3	•	•	•	•				
		PLUNGER ROD	ASTA PISTONE	H						•	•	•	•
41*		CONNECTING ROD PIN	SPINOTTO	H	3								
42*		CONNECTING ROD	BIELLA	H	3								
43*		SPRING WASHER	ROSETTA ELASTICA Ø8	H	6								
44*		CONNECTING ROD SCREW	VITE BIELLA	H	6								
45*		"O" RING Ø2.62X152.07	"O" RING Ø2.62X152.07	F	1								
46	9.850-389.0	CRANKCASE COVER	COPERCHIO		1	•	•	•	•	•	•	•	•
47*		"O" RING Ø1.78X14.00	"O" RING Ø1.78X14.00	F	1								
48*		BRASS PLUG G 3/8	TAPPO OTTONE G 3/8	F	1								
49*		SIGHT GLASS, G 3/4	SPIA LIVELLO OLIO	F	1								
50	9.851-474.0	COVER SCREW	VITE COPERCHIO		5								