

Caratteristiche Tecniche

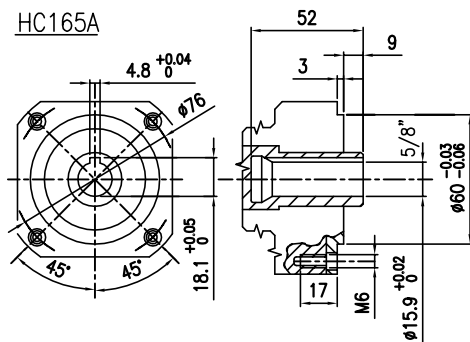
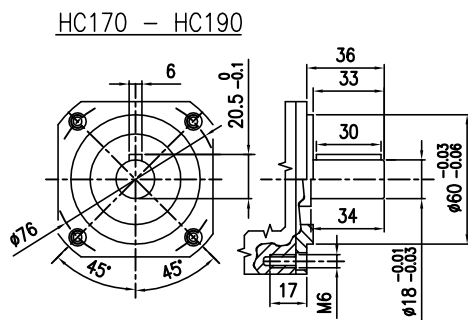
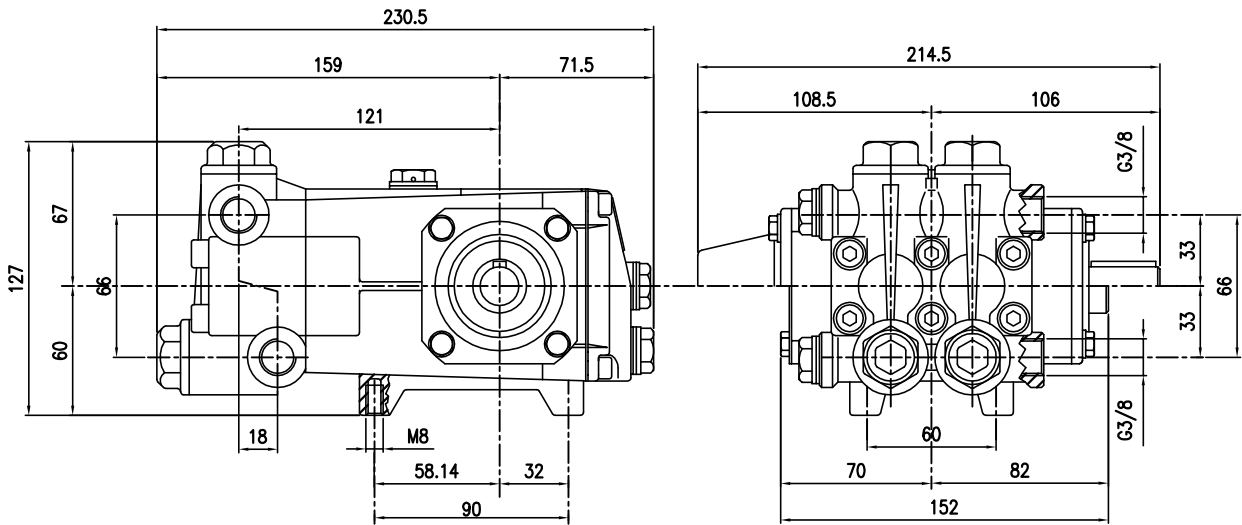
# DUPLEX

Technical Characteristics

Pump Pompe Pumpen Pompa	Pressure Pression Druck Pressione		Volume Débit Leistung Portata		RPM tours/min u.p.m. giri/min	Required HP Puissance HP Leistung HP Potenza HP	Inlet port Entrée Eingang Aspirazione	Outlet Sortie Ausgang Mandata	Weight Kg Poids Kg Gewicht Kg Peso Kg
	bar	PSI	l/min	GPM					
HC165A	100	1450	8.5	2.2	1740	2.2	G 3/8	G 3/8	5.7
HC170	100	1450	8.0	2.5	1740	2.0 2.4	G 3/8	G 3/8	6.0
HC190	100	1450	11	3.5	1450 1740	2.8 3.4	G 3/8	G 3/8	6.0

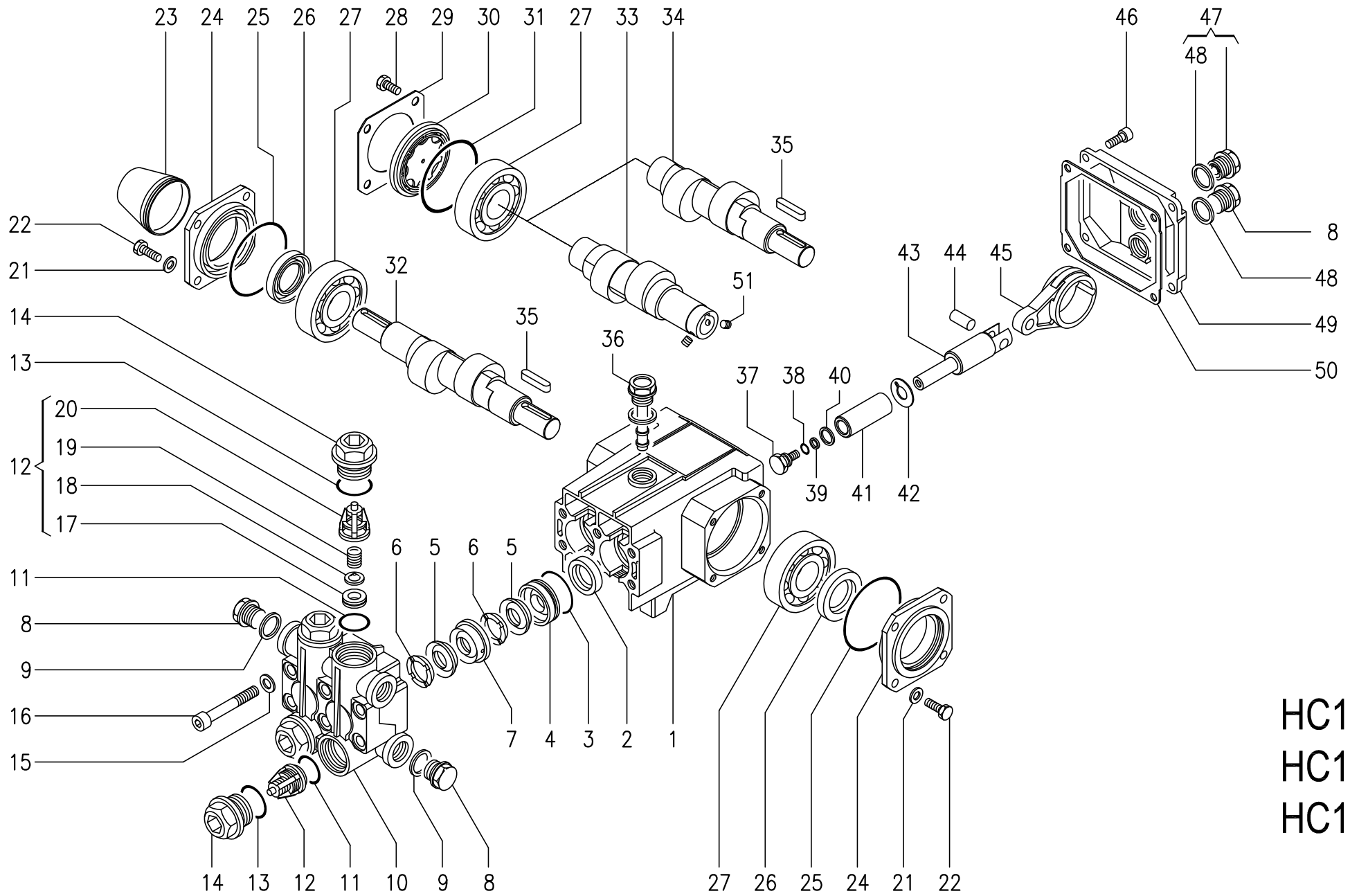
Dimensioni d' ingombro

Overall dimensions



Lubrificazione: Olio SAE 20/40W  
Capacità 0.4 Litri

Lubrication: SAE 20/40W Oil  
Capacity 0.4 Liters



HC165A  
 HC170  
 HC190

HAWK pumps  
*Duplex series*

# DUPLEX

## SPARE PARTS KIT

## KIT RICAMBI

Posizioni Item	Part Number & Description	Codice e Descrizione	Q.tà per ogni Pompa Q.ty for each Pump	HC165ARL	HC170	HC170RL	HC190	HC190RL
3x (3- 5- 6)	2608.08 Plunger "V" Seals 20 mm	2608.08 Guarniz. pistone "V"Ø20	1	◆	◆	◆	◆	◆
2- 3- 4- 5- 6- 7	2627.01 Complete "V"seal Packing 20 mm	2627.01 Pacco completo "V" Guarnizioni pistone Ø20	2	◆	◆	◆	◆	◆
37- 38- 39- 40- 41 42	2627.02 Plunger 20 mm	2627.02 Pistone Ø20	2	◆	◆	◆	◆	◆
11- 12- 13	2600.02 Complete Valve	2600.02 Valvola completa	4	◆	◆	◆	◆	◆
2x ( 2 )	2600.03 Plunger oil Seals	2600.03 Anelli tenuta olio Asta	1	◆	◆	◆	◆	◆

## PARTS LIST

## LISTA PARTI

Pos. Item	Codice Part Number	Description	Descrizione	Q.tà per ogni Pompa Q.ty for each Pump	HC165ARL	HC170	HC170RL	HC190	HC190RL
1	0202.04	Crankcase	Carter	1					
*2	0001.01	Plunger oil seal	Anello radiale	2	◆	◆	◆	◆	◆
*3	0601.07	"O" Ring Ø1.78x31,47	"O" Ring Ø1.78x31,47	2					
*4	1201.04	Pressure ring 20mm	Pressore Ø20	2	◆	◆	◆	◆	◆
*5	0002.05	"V" seal, dia.20mm	Anello tenuta "V" Ø20	4	◆	◆	◆	◆	◆
*6	0300.09	Support ring 20mm	Diffusore Ø20	4	◆	◆	◆	◆	◆
*7	0300.19	Intermed. ring 20mm	Diffusore Interm. Ø20	2	◆	◆	◆	◆	◆
8	1601.17	Brass plug G3/8	Tappo G3/8	3					
9	0603.06	Copper washer 3/8	Guarnizione rame G3/8	2					
10	1602.12	Manifold housing	Testata	1					
*11	0601.06	"O" Ring Ø2.62x18.72	"O" Ring Ø2.62x18.72	4					
*12	3604.10	Valve assembly	Valvola premontata	4					
*13	0601.05	"O" Ring Ø2.62x23.47	"O" Ring Ø2.62x23.47	4					
14	1601.07	Valve plug	Tappo valvola	4	◆	◆	◆	◆	◆
15	1400.01	Washer	Rosetta Ø8.5	6					
16	1801.18	Manifold stud bolt	Vite M8x60	6					
17	1503.00	Valve seat	Sede valvola	4					
18	1202.00	Valve plate	Piattello valvola	4					
19	0900.04	Valve spring	Molla valvola	4					
20	0604.00	Valve cage	Gabbia valvola	4					
21	1400.02	Washer	Rosetta Ø6,5	→	4	8	4	8	4
22	1802.07	Hexagonal screw	Vite M6x18	→	4	8	4	8	4
23	0205.01	Shaft protector	Protezione albero	1		◆		◆	
24	0500.09	Open flange	Flangia cuscinetto	→	1	2	1	2	1
25	0601.09	"O" Ring Ø2.62x61.6	"O" Ring Ø2.62x61.6	→	1	2	1	2	1
26	0001.06	Shat oil seal	Anello radiale	→	1	2	1	2	1
27	0213.00	Ball bearing	Cuscinetto a sfere	2	◆	◆	◆	◆	◆

# DUPLEX

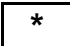

## PARTS LIST

## LISTA PARTI

Pos. Item	Codice Part Number	Description	Descrizione	Q.tà per ogni Pompa Q.ty for each Pump	HC165ARL	HC170	HC170RL	HC190	HC190RL
28	1802.13	Hexagonal screw	Vite M6x18	4					
29	0203.18	Bearing cover	Coperchio cuscinetto	1	◆		◆		◆
30	0700.03	Sight glass	Spia livello olio	1					
31	0601.83	"O" Ring Ø3.53x55.56	"O" Ring Ø3.53x55.56	1					
32	0004.24	Crankshaft	Albero eccentrico	1		◆			
	0004.26	Crankshaft	Albero eccentrico	1				◆	
33	0004.52	Crankshaft	Albero eccentrico	1	◆				
34	0004.32	Crankshaft	Albero eccentrico	1			◆		
	0004.51	Crankshaft	Albero eccentrico						◆
35	0206.03	Crankshaft key	Chiavetta	1					
36	1600.03	Oil dip stick	Tappo livello olio	1					
*37	1800.01	Plunger bolt	Vite pistone	2					
*38	0601.03	"O" Ring Ø1.78x7.66	"O" Ring Ø1.78x7.66	2					
*39	0009.04	Teflon ring	Anello antiestrusione	2					
*40	1400.12	Copper spacer	Rosetta rame	2	◆	◆	◆	◆	◆
*41	1200.16	Plunger 20mm	Pistone Ø20	2					
*42	1400.15	Copper spacer	Rosetta rame	2					
43	0003.12	Plunger rod	Asta pistone	2					
44	1502.02	Connecting rod pin	Spinotto	2					
45	0100.02	Connecting rod	Biella	2					
46	1801.12	Cover screw	Vite M6x16	4					
47	0700.01	Sight glass	Spia livello olio	1		◆		◆	
48	0603.02	Gasket, G3/8	Guarnizione G3/8	1	◆	◆	◆	◆	◆
49	0203.06	Crankcase cover	Coperchio	1		◆		◆	
	0203.24	Crankcase cover	Coperchio	1	◆		◆		◆
50	0600.06	Cover gasket	Guarnizione coperchio	1	◆	◆	◆	◆	◆
51	1803.02	Set screw	Vite STEI M6x6	2	◆				

  Part available  
in kit only

**Particolare disponibile  
solo in kit**

  Part available  
in kit also

**Particolare disponibile  
anche in kit**