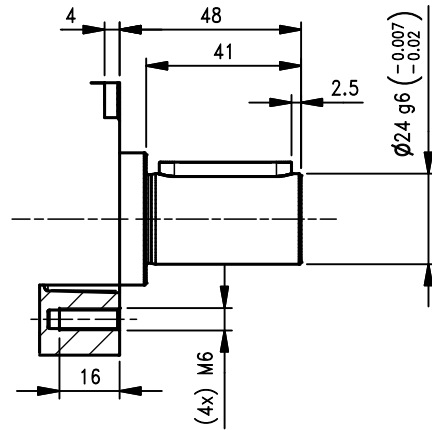
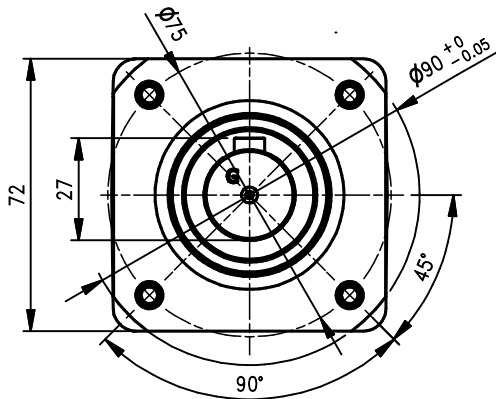
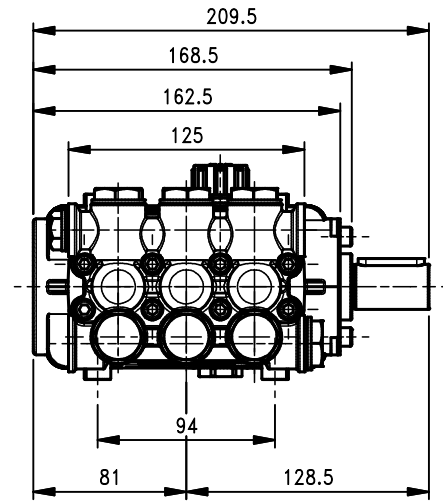
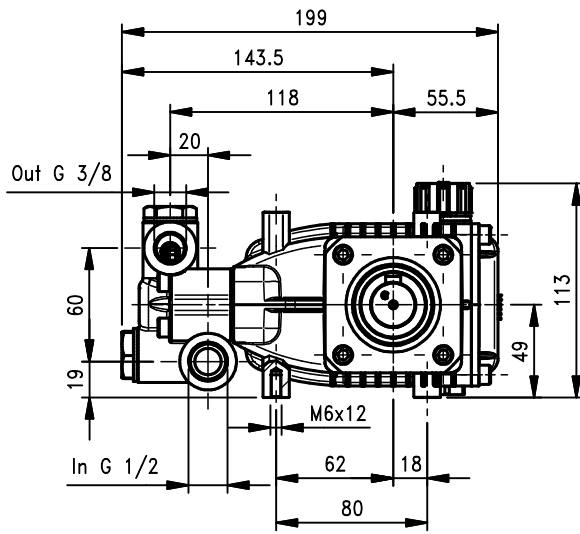


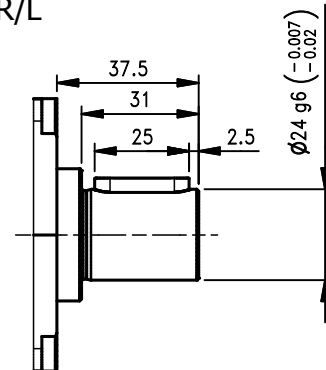
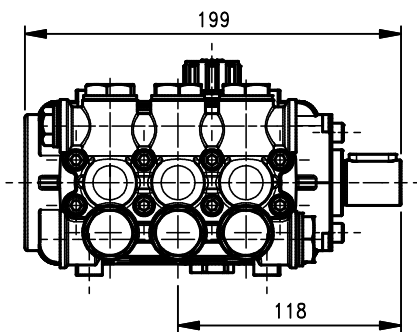
Pump Pompa	Pressure Pressione		Volume Portata				RPM giri/min		Power Potenza			
			l/min		GPM				HP		kW	
	bar	PSI	50 Hz	60 Hz	50 Hz	60 Hz	50 Hz	60 Hz	50 Hz	60 Hz	50 Hz	60 Hz
NST0412R/L	120	1740	4.0	4.8	1.1	1.3	1450	1740	1.2	1.5	0.9	1.1
NST0612R/L	120	1740	6.0	7.2	1.6	1.9	1450	1740	1.9	2.3	1.4	1.7
NST8512R/L	120	1740	8.5	10.2	2.2	2.7	1450	1740	2.6	3.1	1.9	2.3
NST1012R/L	120	1740	10.0	12.0	2.6	3.2	1450	1740	3.0	3.6	2.2	2.6
NST1112R/L	120	1740	11.0	13.1	2.9	3.5	1450	1740	3.4	4.1	2.5	3.0
NST1212R/L	120	1740	12.0	14.4	3.2	3.8	1450	1740	3.6	4.4	2.7	3.2

Dimensioni d'ingombro

Overall dimensions



NST0412R/L - NST0612R/L

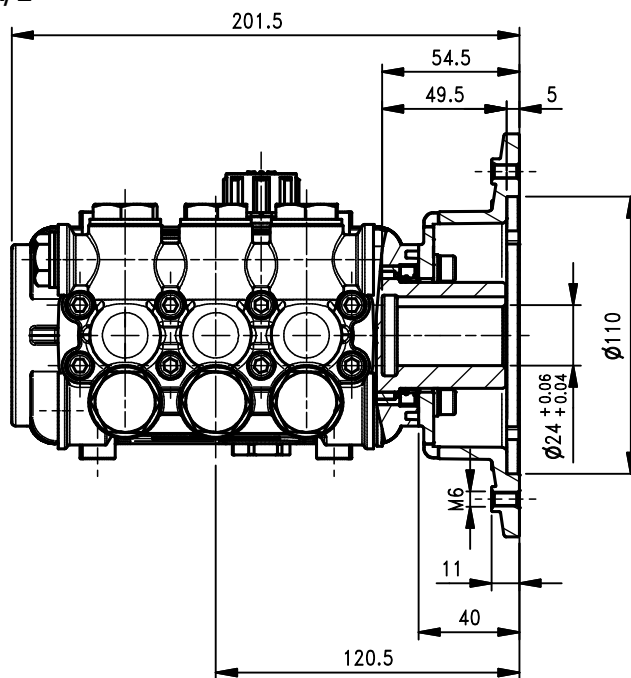
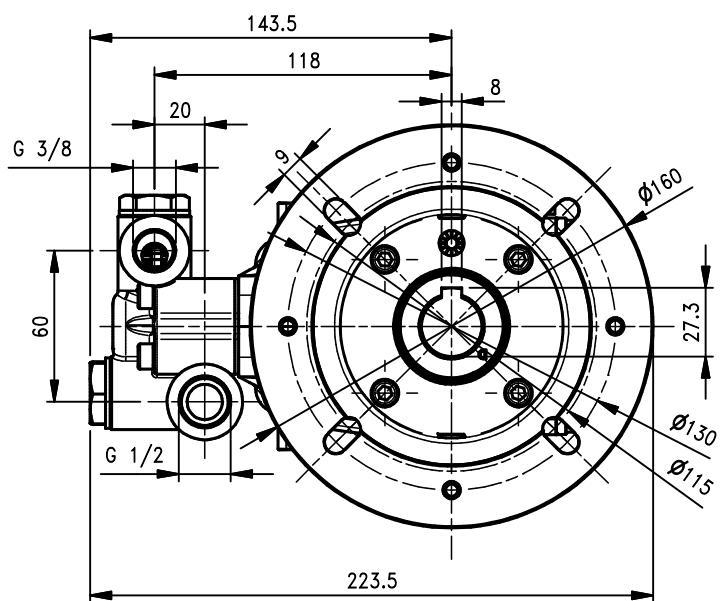


Pump Pompa	Pressure Pressione		Volume Portata				RPM giri/min		Power Potenza			
			l/min		GPM				HP		kW	
	bar	PSI	50 Hz	60 Hz	50 Hz	60 Hz	50 Hz	60 Hz	50 Hz	60 Hz	50 Hz	60 Hz
NST8512CR/L	120	1740	8.5	10.2	2.2	2.7	1450	1740	2.6	3.1	1.9	2.3
NST1012CR/L	120	1740	10.0	12.0	2.6	3.2	1450	1740	3.0	3.6	2.2	2.6
NST1112CR/L	120	1740	11.0	13.1	2.9	3.5	1450	1740	3.4	4.1	2.5	3.0
NST1212CR/L	120	1740	12.0	14.4	3.2	3.8	1450	1740	3.6	4.4	2.7	3.2

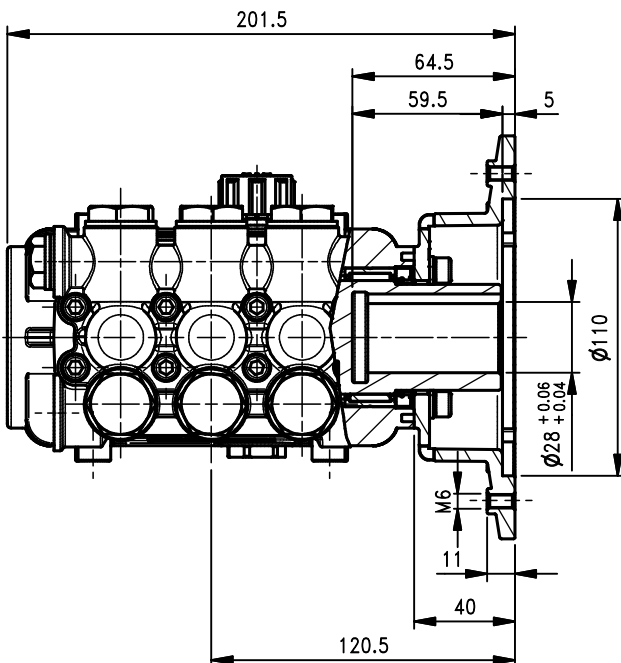
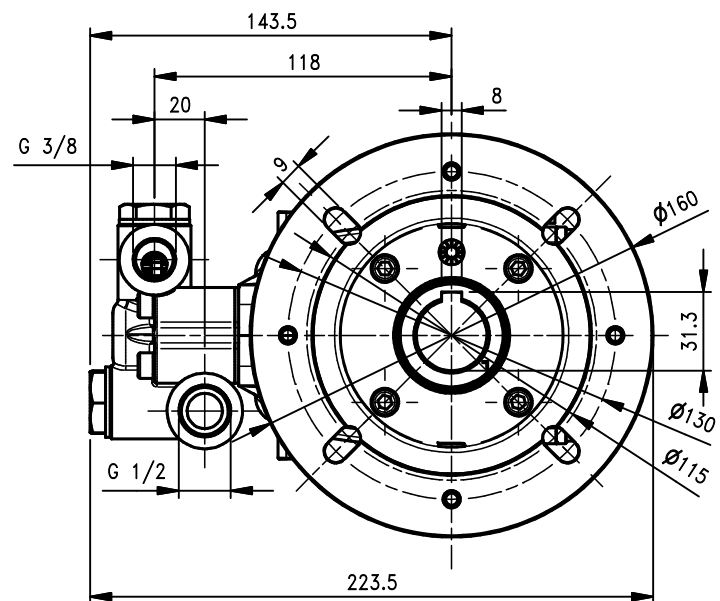
Dimensioni d'ingombro

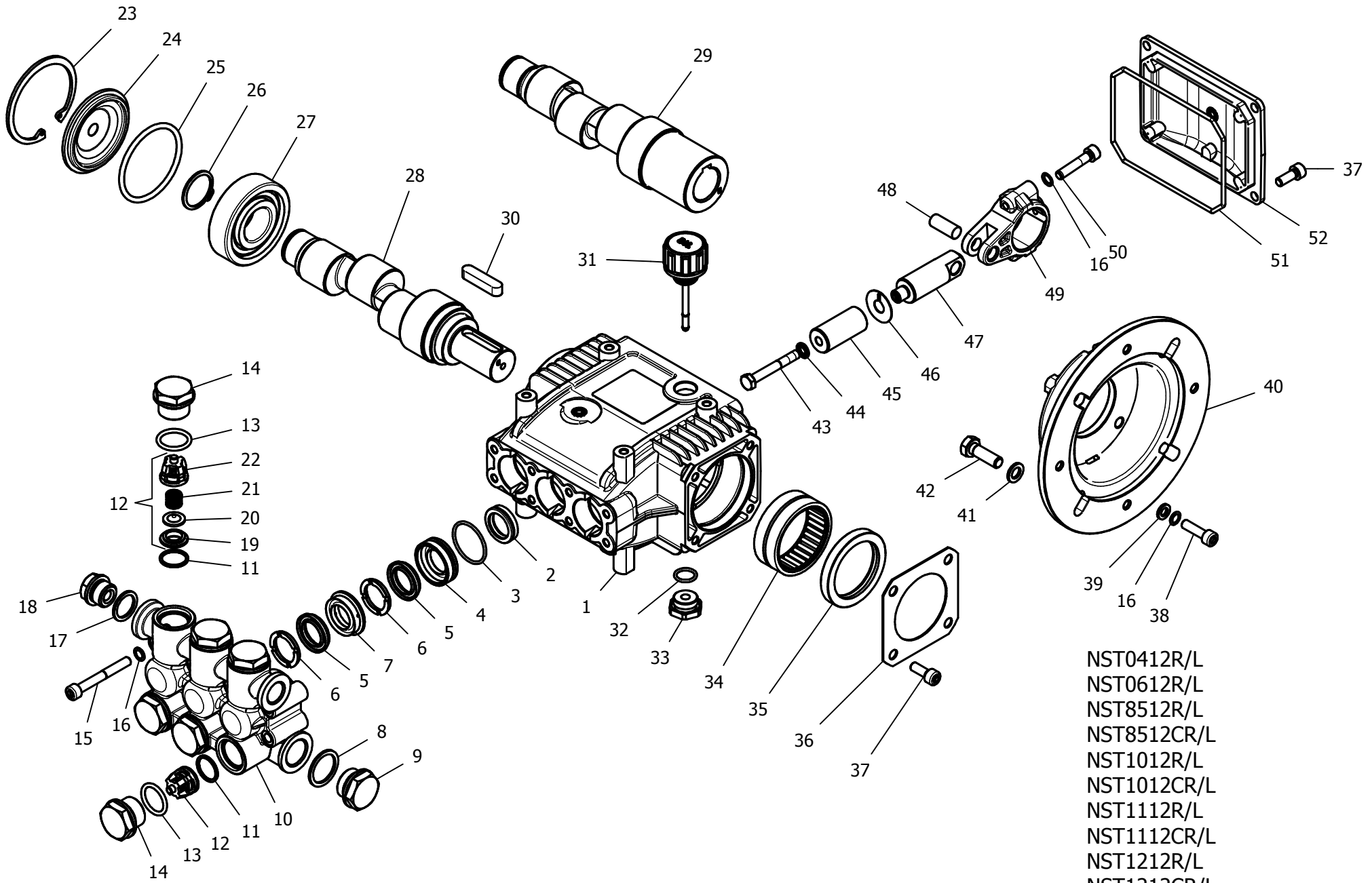
Overall dimensions

NST8512CR/L



NST1012CR/L - NST1112 CR/L - NST1212CR/L





- NST0412R/L
- NST0612R/L
- NST8512R/L
- NST8512CR/L
- NST1012R/L
- NST1012CR/L
- NST1112R/L
- NST1112CR/L
- NST1212R/L
- NST1212CR/L

**HAWK**  
**Serie NST 2012**  
**NST series 2012**

# NST 2012

## SPARE PARTS KIT

## KIT RICAMBI

Posizioni Item	Part Number and Description	Codice e descrizione	Q.tà per ogni Pompa Q.ty for each Pump	NST0412R/L	NST0612R/L	NST8512R/L	NST8512CR/L	NST1012R/L	NST1012CR/L	NST1112R/L	NST1112CR/L	NST1212R/L	NST1212CR/L
3x (3- 5- 6)	2601.40 Plunger Seals dia. 18 mm	2601.40 Guarnizioni pistone Ø18	1										
3- 4- 5- 6- 7	2601.41 Complete Seals Packing dia. 18 mm	2601.41 Pacco completo Guarnizioni pistone Ø18	3										
43- 44- 45- 46	2601.42 Plunger dia. 18 mm	2601.42 Pistone Ø18	3										
11- 12- 13	2600.12 Complete Valve	2600.12 Valvola completa	6	◆	◆	◆	◆	◆	◆	◆	◆	◆	◆
3x ( 2 )	2608.26 Plunger oil Seals	2608.26 Anelli tenuta olio Asta	1										
3- 4- 5- 6- 7- 8 9- 10- 11- 12 13- 14- 17- 18	2601.43 Complete Manifold	2601.43 Testata Completa	1										
16- 47- 48- 49 50	3100.42 Connecting Rod-Plunger Rod Assy	3100.42 Premontato Biella-Asta pistone	3										

## PARTS LIST

## LISTA PARTI

Pos. Item	Codice Part Number	Description	Descrizione	Q.tà per ogni Pompa Q.ty for each Pump	NST0412R/L	NST0612R/L	NST8512R/L	NST8512CR/L	NST1012R/L	NST1012CR/L	NST1112R/L	NST1112CR/L	NST1212R/L	NST1212CR/L
1	0202.34	Crankcase	Carter	1										
*2	0001.05	Plunger oil seal	Anello radiale	3										
*3	0601.81	"O" Ring Ø1.78x28.03	"O" Ring Ø1.78x28.03	3										
*4	1201.12	Pressure ring dia. 18 mm	Pressore "V" Ø18	3										
*5	0002.08	"V" seal, dia. 18 mm	Anello tenuta "V" Ø18	6										
*6	0300.50	Support ring dia. 18 mm	Diffusore Ø18	6										
*7	0300.21	Intermediate Ring Ø18 mm	Diffusore Intemedio Ø18	3										
*8	0603.07	Copper washer G1/2	Guarnizione rame	1	◆	◆	◆	◆	◆	◆	◆	◆	◆	◆
*9	1601.20	Brass plug G1/2	Tappo G1/2	1										
*10	1602.47	Manifold housing	Testata	1										
*11	0601.61	"O" Ring Ø1.78x15.60	"O" Ring Ø1.78x15.6	6										
*12	3604.60	Valve assembly	Valvola premontata	6										
*13	0601.06	"O" Ring Ø2.62x18.72	"O" Ring Ø2.62x18.72	6										
*14	1601.36	Valve plug	Tappo valvola	6										
15	1801.39	Manifold stud bolt M6x50	Vite TCEI M6x50	8										
16	1401.12	Spring washer Ø6	Rosetta Schnorr Ø6	→	14	14	14	18	14	18	14	18	14	18
*17	0603.06	Copper washer G3/8	Guarnizione rame	1										
*18	1601.17	Brass plug G3/8	Tappo G3/8	1										
19	1503.22	Valve seat	Sede valvola	6										
20	1202.00	Valve plate	Piattello valvola	6	◆	◆	◆	◆	◆	◆	◆	◆	◆	◆
21	0900.30	Valve spring	Molla valvola	6										
22	0604.07	Valve cage	Gabbia valvola	6										

# NST 2012

## PARTS LIST

## LISTA PARTI

Pos. Item	Codice Part Number	Description	Descrizione	Q.tà per ogni Pompa Q.ty for each Pump	NST0412R/L	NST0612R/L	NST8512R/L	NST8512CR/L	NST1012R/L	NST1012CR/L	NST1112R/L	NST1112CR/L	NST1212R/L	NST1212CR/L
23	1501.06	Snap Ring dia. 62 mm	Anello elastico Ø62	1										
24	0700.07	Sight glass	Spia livello olio	1										
25	0601.83	"O" Ring Ø3.53x55.56	"O" Ring Ø3.53x55.56	1	◆	◆	◆	◆	◆	◆	◆	◆	◆	◆
26	1500.03	Snap Ring dia. 25 mm	Anello elastico Ø25	1										
27	0213.00	Ball Bearing	Cuscinetto a sfere	1										
28	0006.43	Single - ended shaft	Albero semplice P.d.F.	1									◆	
	0006.52	" " "	" " "	1			◆							
	0006.53	" " "	" " "	1							◆			
	0006.60	" " "	" " "	1					◆					
	0006.64	" " "	" " "	1		◆								
	0006.65	" " "	" " "	1	◆									
29	0006.54	Hollow shaft dia. 28	Albero cavo Ø28										◆	
	0006.56	Hollow shaft dia. 24	Albero cavo Ø24	1			◆							
	0006.58	Hollow shaft dia. 28	Albero cavo Ø28	1										◆
	0006.61	" " "	" " "	1						◆				
30	0206.00	Cranckshaft key	Chiavetta	1	◆	◆								
	0206.04	" "	" "	1			◆	◆	◆	◆	◆	◆	◆	◆
31	1600.14	Oil dip stick	Tappo livello olio	1										
32	0601.14	"O" Ring Ø1.78x14.00	"O" Ring Ø1.78x14.00	1										
33	1601.69	Brass plug	Tappo scarico olio	1	◆	◆	◆	◆	◆	◆	◆	◆	◆	◆
34	0200.02	Needle Roller Bearing	Cuscinetto a rullini	1										
35	0001.18	Cranckshaft seal	Anello radiale	1										
36	0203.18	Bearing cover	Coperchio cuscinetto	1	◆	◆	◆		◆		◆		◆	
37	1801.12	Screw M6x16	Vite TCEI M6x16	8										
38	1801.26	Screw M6x22	Vite TCEI M6x22	4										
39	1400.02	Washer dia. 6,5 mm	Rosetta Ø6,5	4										
40	0500.66	Motor flange	Flangia Motore	1				◆		◆		◆		◆
41	1400.01	Washer dia. 8,5 mm	Rosetta Ø8,5	4										
42	1802.06	Hexagonal Screw M8x25	Vite TE M8x25	4										
*43	1802.27	Plunger Screw Stainlees Steel	Vite TE M6x40 INOX A2-70	3										
*44	1400.10	Copper spacer	Rosetta Rame	3										
*45	1200.38	Plunger	Pistone	3										
*46	1400.27	Copper spacer	Rosetta Rame	3										
47	0003.04	Plunger Rod	Asta Pistone	3	◆	◆	◆	◆	◆	◆	◆	◆	◆	◆
48	1502.04	Connecting rod pin	Spinotto	3										
49	0100.08	Conneting Rod	Biella	3										
50	1801.32	Conneting Rod Screw	Vite M6x30	6										
51	0601.46	"O" Ring Ø 2.62x101.27	"O" Ring Ø 2.62x101.27	1										
52	0203.64	Crankcase cover	Coperchio posteriore	1										

Part available  
in kit only

\* Part available  
in kit also