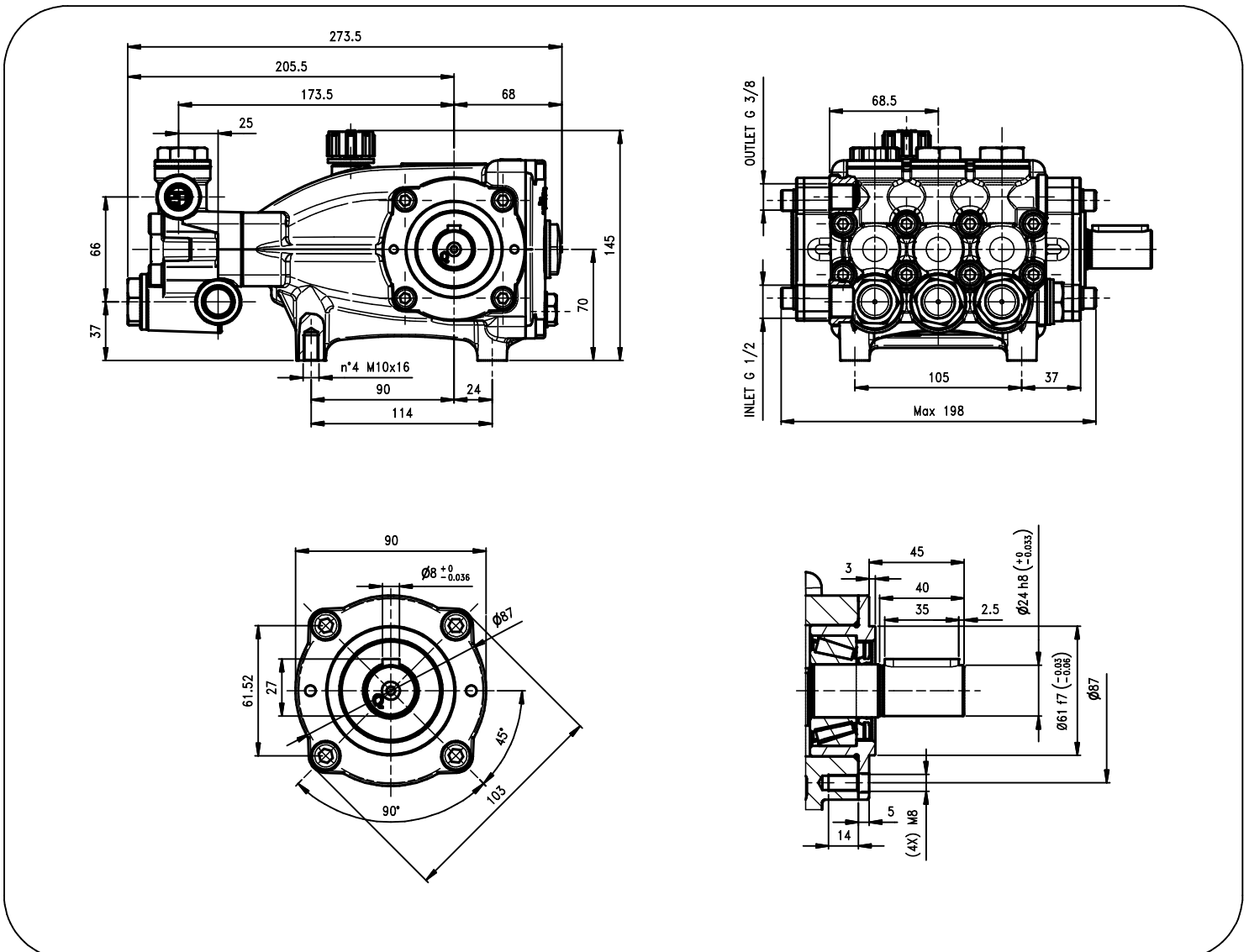


| Pump<br>Pompa | Pressure<br>Pressione |      | Volume<br>Portata |       |       |       | RPM<br>giri/min |       | Power<br>Potenza |       |       |       |
|---------------|-----------------------|------|-------------------|-------|-------|-------|-----------------|-------|------------------|-------|-------|-------|
|               |                       |      | l/min             |       | GPM   |       |                 |       | HP               |       | kW    |       |
|               | bar                   | PSI  | 50 Hz             | 60 Hz | 50 Hz | 60 Hz | 50 Hz           | 60 Hz | 50 Hz            | 60 Hz | 50 Hz | 60 Hz |
| NMT1520EBCH   | 200                   | 3000 | 15.0              | 18.0  | 4.0   | 4.7   | 1450            | 1740  | 7.7              | 9.2   | 5.7   | 6.8   |
| NMT2120EBCH   | 200                   | 3000 | 21.0              | 25.0  | 5.5   | 6.6   | 1450            | 1740  | 10.7             | 12.8  | 7.9   | 9.4   |

Dimensioni d'ingombro

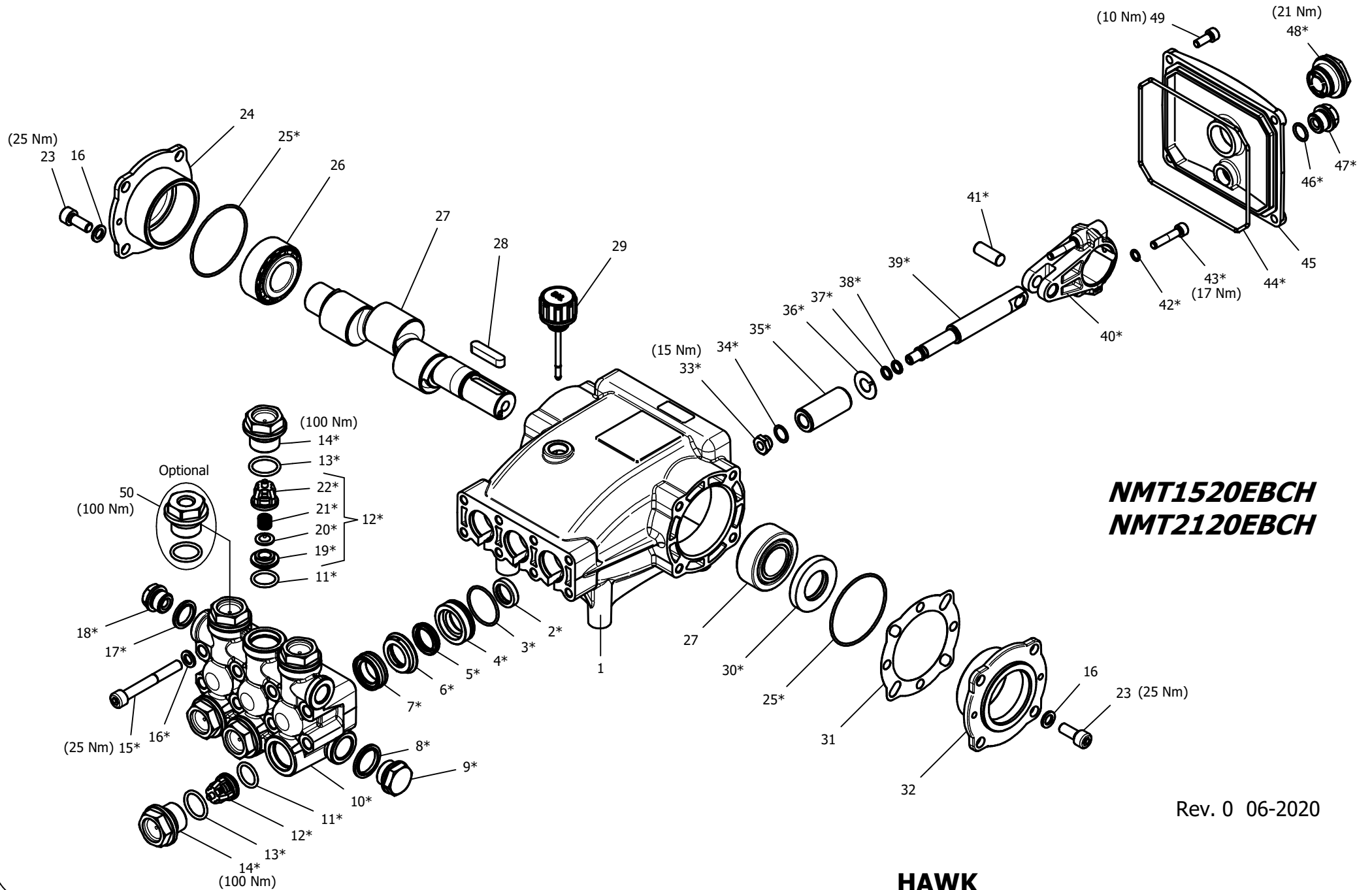
Overall dimensions



Lubrificazione: Olio SAE 10-40W  
Capacità: 0.7 Litri  
Peso pompa: 10.3 Kg

Rev. 0 06-2020

Lubrication: SAE 10-40W Oil  
Capacity: 0.7 Litres  
Weight: 10.3 Kg



**NMT1520EBCH**  
**NMT2120EBCH**

Rev. 0 06-2020

**HAWK**  
**Pompe NMT EBCH serie 2020**  
**NMT EBCH Pumps 2020 series**

## NMT ECOBRASS CHEMICALS 2020 SERIES

### ORDINARY MAINTENANCE KIT / KIT MANUTENZIONE ORDINARIA

| KIT | Item Pos.                        | Part Number Codice | Description              | Descrizione             | Q.TY by Pump<br>Q.TA per Pompa | NMT1520EBCH | NMT2120EBCH |
|-----|----------------------------------|--------------------|--------------------------|-------------------------|--------------------------------|-------------|-------------|
| A   | 3- 5- 7                          | 1.904-811.0        | PLUNGER SEALS DIA. 20 mm | GUARNIZIONI PISTONE Ø20 | 1                              |             |             |
| B   | 11- 12- 13<br>(19- 20- 21<br>22) | 1.904-805.0        | COMPLETE VALVE           | VALVOLA COMPLETA        | 1                              | •           | •           |

### EXTRAORDINARY MAINTENANCE KIT / KIT MANUTENZIONE STRAORDINARIA

| KIT | Item Pos.  | Part Number Codice | Description                       | Descrizione                            | Q.TY by Pump<br>Q.TA per Pompa | NMT1520EBCH | NMT2120EBCH |
|-----|--|--------------------|-----------------------------------|--|--------------------------------|-------------|-------------|
| C   | 3- 4- 5- 6- 7  | 1.904-810.0        | COMPLETE SEALS PACKING DIA. 20 mm | PACCO COMPLETO GUARNIZIONI PISTONE Ø20 | 1                              |             |             |
| D   | 33- 34- 35<br>36- 37- 38   | 1.904-829.0        | PLUNGER DIA. 20 mm                | PISTONE Ø20                            | 3                              |             |             |
| E   | 2  | 1.904-806.0        | PLUNGER OIL SEALS                 | ANELLI TENUTA OLIO ASTA                | 1                              |             |             |
| F   | 25- 30- 44<br>46- 47- 48   | 1.905-542.0        | KIT CRANKCASE SEALS               | KIT TENUTE CARTER                      | 1                              |             |             |
| G   | 3- 4- 5- 6- 7<br>8- 9- 10- 11<br>12- 13- 14<br>15- 16- 17<br>18 (19- 20<br>21- 22) | 1.904-807.0        | COMPLETE MANIFOLD                 | TESTATA COMPLETA                       | 1                              | •           | •           |
| H   | 33- 34- 37<br>38- 39- 40<br>41- 42- 43   | 1.905-581.0        | CONNECTING ROD PLUNGER ROD ASSY   | PREMONTATO ASTA-BIELLA PISTONE         | 3                              |             |             |
| I   | 13- 14   | 1.904-808.0        | VALVE PLUG ASSY                   | PREMONTATO TAPPO VAM                   | 6                              |             |             |

“Q.TY by Pump” => Necessary quantity to repair one pump  
 “Q.TA’ per Pompa” => Quantità necessaria per riparare una pompa

### OPTIONAL

| Item Pos. | Part Number Codice | Description              | Descrizione             | Q.TY by Pump<br>Q.TA per Pompa | NMT1520EBCH | NMT2120EBCH |
|-----------|--------------------|--------------------------|-------------------------|--------------------------------|-------------|-------------|
| 50        | 1.904-809.0        | THREADED BRASS PLUG G1/4 | PREMONTATO TAPPO FORATO | 1                              | •           | •           |

### TOOL KIT

| Part Number Codice | Description                 | Descrizione                  | Q.TY by Pump<br>Q.TA per Pompa | NMT1520EBCH | NMT2120EBCH |
|--------------------|-----------------------------|------------------------------|--------------------------------|-------------|-------------|
| 1.099-667.0        | TOOL-KIT                    | TOOL-KIT                     | 1                              | •           | •           |
| 1.904-414.0        | OIL SEAL EXTRACTOR TOOL-KIT | TOOL-KIT ESTRAZIONE PARAOLIO | 1                              |             |             |

### IMPORTANT

### IMPORTANTE

\* **Part available ONLY in kit**  
**Disponibile SOLO in kit**

(...) **Parts pre-assembled**  
**Parti pre-assemblate**

## PARTS LIST LISTA PARTI

| Item Pos | Part Number Codice | Description                            | Descrizione                | KIT   | Q.TY Q.TÀ | NMT1520EBCH | NMT2120EBCH |
|----------|--------------------|--|----------------------------|-------|-----------|-------------|-------------|
| 1        | 9.851-881.0        | RED CRANKCASE                          | CARTER ROSSO               |       | 1         |             |             |
| 2*       |                    | PLUNGER OIL SEAL FKM                   | ANELLO RADIALE FKM         | E     | 3         |             |             |
| 3*       |                    | "O" RING Ø1.78X31.47 FKM               | "O" RING Ø1.78X31.47 FKM   | A-C-G | 3         |             |             |
| 4*       |                    | STAINLESS STEEL PRESSURE RING 20MM     | PRESSORE "U" Ø20 INOX      | C-G   | 3         |             |             |
| 5*       |                    | LOW PRESSURE "U" SEAL, DIA.20MM        | ANELLO TENUTA "U" Ø20      | A-C-G | 3         |             |             |
| 6*       |                    | STAINLESS STEEL INTERMED. RING 20MM    | DIFFUSORE INTER. Ø20 INOX  | C-G   | 3         |             |             |
| 7*       |                    | HIGH PRESSURE "U" SEAL, DIA.20MM       | ANELLO TENUTA "U" Ø20      | A-C-G | 3         |             |             |
| 8*       |                    | BONDED SEAL G1/2 STAINLESS STEEL       | BONDED SEAL G 1/2 INOX     | G     | 1         |             |             |
| 9*       |                    | ECOBASS PLUG G1/2                      | TAPPO G1/2 ECOBRASS        | G     | 1         |             |             |
| 10*      |                    | ECOBASS MANIFOLD HOUSING               | TESTATA ECOBRASS           | G     | 1         |             |             |
| 11*      |                    | "O" RING Ø2.62X17.13 FKM               | "O" RING Ø2.62X17.13 FKM   | B-G   | 6         |             |             |
| 12*      |                    | VALVE ASSEMBLY                         | VALVOLA PREMONTATA         | B-G   | 6         |             |             |
| 13*      |                    | "O" RING Ø2.62X20.29 FKM               | "O" RING Ø2.62X20.29 FKM   | B-G-I | 6         |             |             |
| 14*      |                    | ECOBASS VALVE PLUG                     | TAPPO VALVOLA ECOBRASS     | G-I   | 6         |             |             |
| 15*      |                    | MANIFOLD STUD BOLT STAINLESS STEEL     | VITE TCEI M8X65 INOX A2 70 | G     | 8         |             |             |
| 16*      |                    | WASHER Ø8,5 STAINLESS STEEL            | ROSETTA Ø8.5 INOX          | G     | 16        |             |             |
| 17*      |                    | BONDED SEAL G3/8 STAINLESS STEEL       | BONDED SEAL G 3/8 INOX     | G     | 1         |             |             |
| 18*      |                    | ECOBASS PLUG G3/8                      | TAPPO G3/8 ECOBRASS        | G     | 2         |             |             |
| 19*      |                    | VALVE SEAT                             | SEDE VALVOLA               | B-G   | 6         |             |             |
| 20*      |                    | VALVE PLATE                            | PIATTELLO VALVOLA          | B-G   | 6         |             |             |
| 21*      |                    | VALVE SPRING                           | MOLLA VALVOLA              | B-G   | 6         |             |             |
| 22*      |                    | VALVE CAGE                             | GABBIA VALVOLA             | B-G   | 6         |             |             |
| 23       | 9.851-476.0        | HEX SOCKET SCREW M8X20 STAINLESS STEEL | VITE TCEI M8X20 INOX A2 70 |       | 8         |             |             |
| 24       | 9.850-639.0        | RED CLOSED BEARING HOUSING             | FLANGIA CHIUSA RED         |       | 1         |             |             |
| 25*      |                    | "O" RING Ø1.78X60.05                   | "O" RING Ø1.78X60.05       | F     | 2         |             |             |
| 26       | 9.850-349.0        | ROLLER BEARING 33205                   | CUSCINETTO A RULLI 33205   |       | 2         |             |             |
| 27       | 9.850-177.0        | SINGLE - ENDED SHAFT                   | ALBERO SEMPLICE P.D.F.     |       | 1         |             |             |
|          | 9.850-179.0        | SINGLE - ENDED SHAFT                   | ALBERO SEMPLICE P.D.F.     |       | 1         |             |             |
| 28       | 9.850-446.0        | CRANKSHAFT KEY                         | CHIAVETTA                  |       | 1         |             |             |
| 29       | 9.851-286.0        | OIL DIP STICK                          | TAPPO LIVELLO OLIO         |       | 1         |             |             |
| 30*      |                    | CRANKSHAFT SEAL                        | ANELLO RADIALE             | F     | 1         |             |             |
| 31       | 9.850-547.0        | SHIM                                   | DISTANZIALE                |       | 1         |             |             |
| 32       | 9.850-638.0        | RED BEARING HOUSING                    | FLANGIA ROSSA              |       | 1         |             |             |
| 33*      |                    | PLUNGER NUT STAINLESS STEEL            | DADO PISTONE INOX          | D-H   | 3         |             |             |
| 34*      |                    | SPACER Ø 11.2/15X0.5 STAINLESS STEEL   | ROSETTA Ø 1.2/15X0.5 INOX  | D-H   | 3         |             |             |
| 35*      |                    | PLUNGER 20MM                           | PISTONE Ø20                | D     | 3         |             |             |
| 36*      |                    | SPACER Ø 11.3/24X0.5 STAINLESS STEEL   | ROSETTA Ø 1.3/24X0.5 INOX  | D     | 3         |             |             |

| Item Pos | Part Number Codice | Description                       | Descrizione            | KIT | Q.TY<br>Q.TA | NMT1520EBCH | NMT2120EBCH |
|----------|--------------------|-----------------------------------|------------------------|-----|--------------|-------------|-------------|
| 37*      |                    | "O" RING Ø1.78X7.66               | "O" RING Ø1.78X7.66    | D-H | 3            |             |             |
| 38*      |                    | TEFLON RING                       | ANELLO ANTIESTRUSIONE  | D-H | 3            |             |             |
| 39*      |                    | PLUNGER ROD STAINLESS STEEL       | ASTA PISTONE INOX      | H   | 3            |             |             |
| 40*      |                    | CONNECTING ROD                    | BIELLA                 | H   | 3            |             |             |
| 41*      |                    | CONNECTING ROD PIN                | SPINOTTO               | H   | 3            |             |             |
| 42*      |                    | SPRING WASHER Ø6                  | ROSETTA ELASTICA Ø6    | H   | 6            |             |             |
| 43*      |                    | CONNECTING ROD SCREW M6X30        | VITE M6X30             | H   | 6            | •           | •           |
| 44*      |                    | "O" RING Ø 2.62X126.67            | "O" RING Ø 2.62X126.67 | F   | 1            |             |             |
| 45       | 9.853-776.0        | RED CRANKCASE COVER               | COPERCHIO ROSSO        |     | 1            |             |             |
| 46*      |                    | "O" RING Ø1.78X14                 | "O" RING Ø1.78X14      | F   | 1            |             |             |
| 47*      |                    | BRASS PLUG G 3/8                  | TAPPO G 3/8            | F   | 1            |             |             |
| 48*      |                    | SIGHT GLASS, G3/4                 | SPIA LIVELLO OLIO G3/4 | F   | 1            |             |             |
| 49       | 9.851-475.0        | COVER SCREW M6X16 STAINLESS STEEL | VITE M6X16 INOX A2 70  |     | 4            |             |             |