

Caratteristiche Tecniche

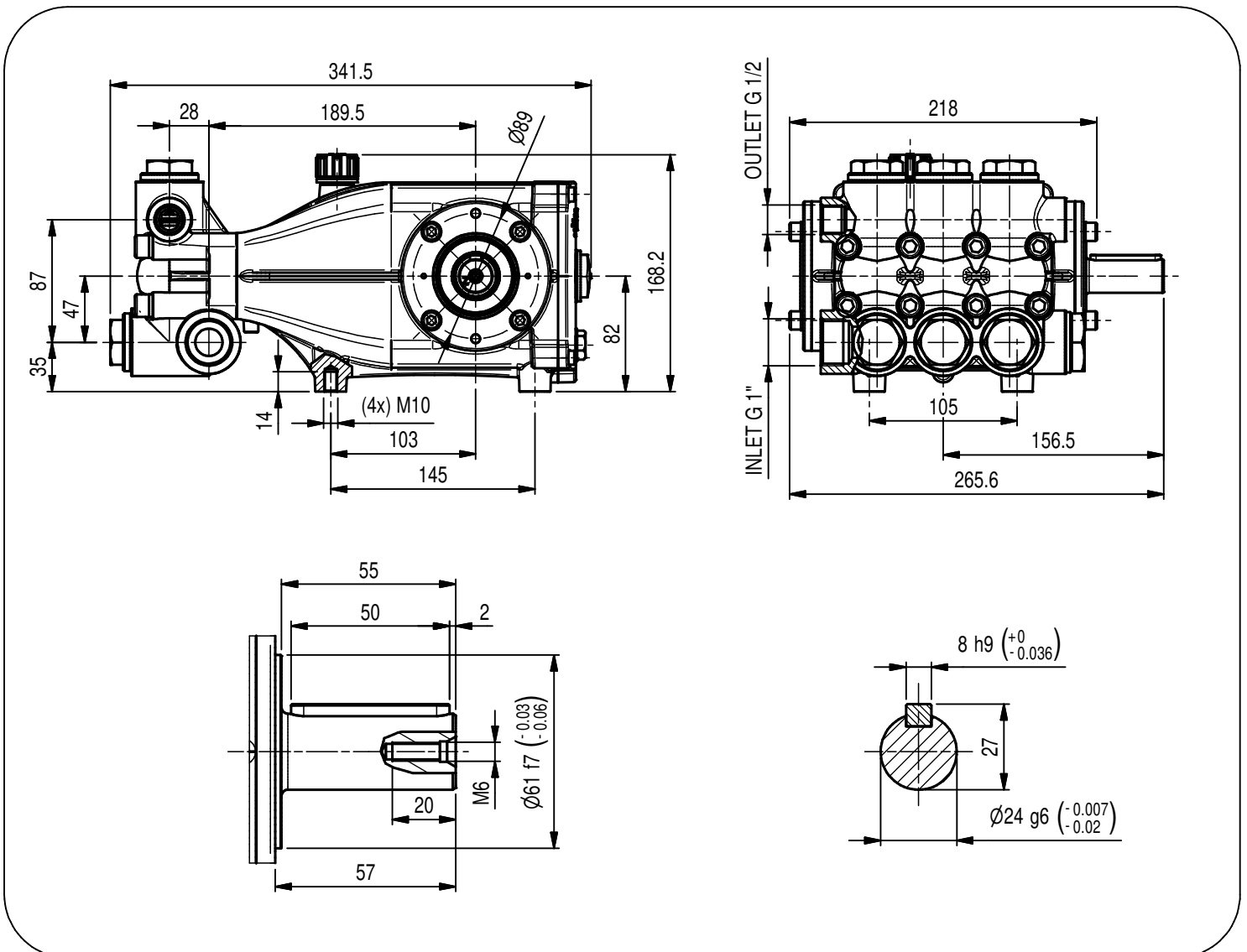
**XLT EBCH**  
Albero Ø24 Shaft

Technical Characteristics

Pump Pompa	Pressure Pressione		Volume Portata				RPM giri/min		Power Potenza			
			l/min		GPM				HP		kW	
	bar	PSI	50 Hz	60 Hz	50 Hz	60 Hz	50 Hz	60 Hz	50 Hz	60 Hz	50 Hz	60 Hz
XLT2515EBCH	150	2175	25	30	6.6	7.9	1450	1740	9.8	11.8	7.2	8.7
XLT3015EBCH	150	2175	30	36	7.9	9.5	1450	1740	11.8	14.1	8.7	10.4
XLT3515EBCH	150	2175	35	42	9.2	11	1450	1740	13.7	16.5	10.1	12.1
XLT4015EBCH	150	2175	40	48	10.6	12.7	1450	1740	15.7	18.8	11.5	13.8
XLT5015EBCH	150	2175	50	60	13.2	15.8	1450	1740	19.6	23.5	14.4	17.3

Dimensioni d'ingombro

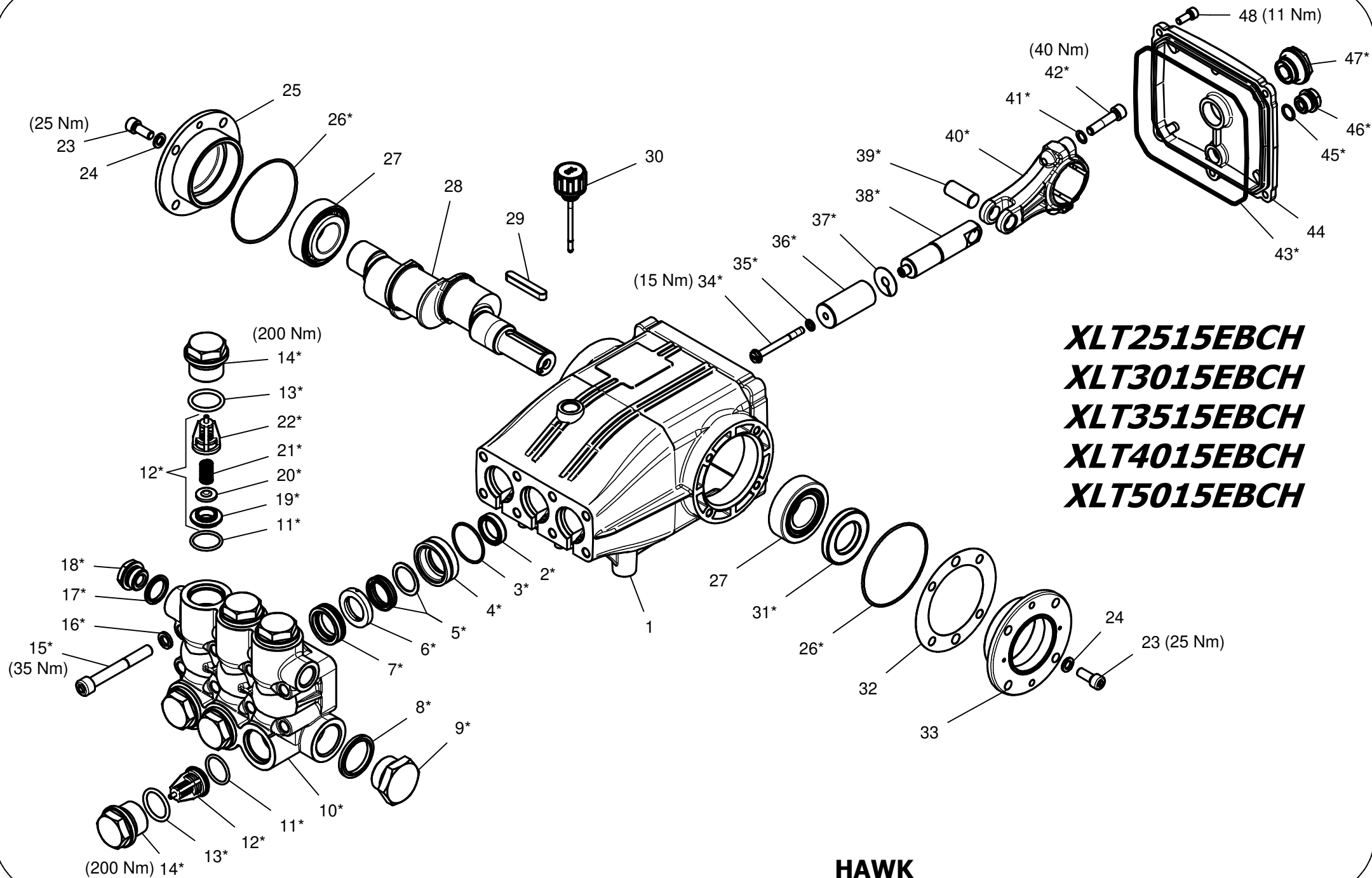
Overall dimensions



Lubrificazione: Olio SAE 10W-40  
Capacità: 1,2 Litri  
Peso pompa: 20,5 Kg

Rev. 0 06-2020

Lubrication: SAE 10W-40 Oil  
Capacity: 1.2 Litres  
Weight: 20.5 Kg



***XLT2515EBCH***  
***XLT3015EBCH***  
***XLT3515EBCH***  
***XLT4015EBCH***  
***XLT5015EBCH***

**HAWK**  
**Pompe XLT EBCH serie 2020**  
**XLT EBCH pumps 2020 series**

## HAWK XLT EBCH 2020 SERIES

### ORDINARY MAINTENANCE KIT / KIT MANUTENZIONE ORDINARIA

KIT	Item Pos.	Part Number Codice	Description	Descrizione	Q.TY by Pump Q.TA per Pompa	XLT2515EBCH	XLT3015EBCH	XLT3515EBCH	XLT4015EBCH	XLT5015EBCH
A	3- 5- 7	1.904-464.0	PLUNGER SEALS DIA. 25 mm	GUARNIZIONI PISTONE Ø25	1	•	•	•	•	•
B	11- 12- 13 (19- 20- 21- 22)	1.904-803.0	COMPLETE VALVE	VALVOLA COMPLETA	1					

### EXTRAORDINARY MAINTENANCE KIT / KIT MANUTENZIONE STRAORDINARIA

KIT	Item Pos.	Part Number Codice	Description	Descrizione	Q.TY by Pump Q.TA per Pompa	XLT2515EBCH	XLT3015EBCH	XLT3515EBCH	XLT4015EBCH	XLT5015EBCH
C	3- 4- 5- 6- 7	1.905-694.0	COMPLETE SEALS PACKING DIA. 25 mm	PACCO COMPLETO GUARNIZIONI PISTONE Ø25	1					
D	34- 35- 36- 37	1.904-466.0	PLUNGER DIA. 25 mm	PISTONE Ø25	3					
E	2	1.905-545.0	PLUNGER OIL SEALS	ANELLI TENUTA OLIO ASTA	1					
F	26- 31- 43- 45- 46- 47	1.905-613.0	KIT CRANKCASE SEALS	KIT TENUTE CARTER	1	•	•	•	•	•
G	3- 4- 5- 6- 7- 8- 9- 10 11- 12- 13- 14- 15- 16 17- 18 (19- 20- 21- 22)	1.904-804.0	COMPLETE MANIFOLD	TESTATA COMPLETA	1					
H	34- 35- 38- 39- 40- 41 42	1.905-715.0	CONNECTING ROD PLUNGER ROD ASSY	PREMONTATO ASTA-BIELLA PISTONE	3					
I	13- 14	9.853-512.0	VALVE PLUG ASSY	PREMONTATO TAPPO VAM	6					

“Q.TY by Pump” => Necessary quantity to repair one pump  
 “Q.TA’ per Pompa” => Quantità necessaria per riparare una pompa

## TOOL KIT

<i>Part Number Codice</i>	<i>Description</i>	<i>Descrizione</i>	<i>Q.TY by Pump Q.TÀ per Pompa</i>	<i>XLT2515EBCH</i>	<i>XLT3015EBCH</i>	<i>XLT3515EBCH</i>	<i>XLT4015EBCH</i>	<i>XLT5015EBCH</i>
1.099-665.0	TOOL-KIT	TOOL-KIT	1					
1.905-659.0	OIL SEAL EXTRACTOR TOOL-KIT	TOOL-KIT ESTR. PARAOLIO	1	•	•	•	•	•

### IMPORTANT

### IMPORTANTE

\* *Part available ONLY in kit*  
Disponibile SOLO in kit

(...) **Parts pre-assembled**  
**Parti pre-assemblate**

## PARTS LIST LISTA PARTI

Item Pos	Part Number Codice	Description	Descrizione	KIT	Q.TY Q.TÀ	XLT2515EBCH	XLT3015EBCH	XLT3515EBCH	XLT4015EBCH	XLT5015EBCH
1	9.853-797.0	RED CRANKCASE	CARTER ROSSO		1					
2*		PLUNGER OIL SEAL FKM	ANELLO RADIALE FKM	E	3					
3*		"O" RING Ø1.78X37.82 FKM	"O" RING Ø1.78X31.47 FKM	A-C-G	3					
4*		STAINLESS STEEL PRESSURE RING 25 MM	PRESSORE "U" Ø25 INOX	C-G	3					
5*		LOW PRESSURE "U" SEAL, DIA.25 MM	ANELLO TENUTA "U" Ø25	A-C-G	3					
6*		STAINLESS STEEL INTERMED. RING 25 MM	DIFFUSORE INTER. Ø25 INOX	C-G	3					
7*		HIGH PRESSURE "U" SEAL, DIA.25 MM	ANELLO TENUTA "U" Ø25	A-C-G	3					
8*		STAINLESS STEEL BONDED SEAL G 1"	BONDED SEAL G 1" INOX	G	2					
9*		ECOBRESS PLUG G 1"	TAPPO G 1" ECOBRASS	G	2					
10*		ECOBRESS MANIFOLD HOUSING	TESTATA ECOBRASS	G	1					
11*		"O" RING Ø2.62X25.07 FKM	"O" RING Ø2.62X25.07 FKM	B-G	6					
12*		VALVE ASSEMBLY	VALVOLA PREMONTATA	B-G	6					
13*		"O" RING Ø3.53X26.58 FKM	"O" RING Ø3.53X26.58 FKM	B-G-I	6					
14*		ECOBRESS VALVE PLUG	TAPPO VALVOLA ECOBRASS	B-G-I	6	•	•	•	•	•
15*		STAINLESS STEEL BOLT M10X80	VITE TESTATA M10X80 INOX A2-70	G	8					
16*		STAINLESS STEEL LOCK WASHER Ø10,2	ROSETTA ELASTICA Ø10.2 INOX	G	8					
17*		STAINLESS STEEL BONDED SEAL G 1/2	BONDED SEAL G 1/2 INOX	G	1					
18*		ECOBRESS PLUG G 1/2	TAPPO G 1/2 ECOBRASS	G	1					
19*		VALVE SEAT	SEDE VALVOLA	B-G	6					
20*		VALVE PLATE	PIATTELLO VALVOLA	B-G	6					
21*		VALVE SPRING	MOLLA VALVOLA	B-G	6					
22*		VALVE CAGE	GABBIA VALVOLA	B-G	6					
23	9.851-476.0	SCREW M8X20 STAINLESS STEEL	VITE TCEI M8X20 INOX		8					
24	9.851-133.0	LOCK WASHER STAINLESS STEEL	ROSETTA ELASTICA Ø8,5 INOX		8					
25	9.853-799.0	RED CLOSED BEARING HOUSING	FLANGIA CHIUSA ROSSA		1					
26*		"O" RING Ø2.62X71.12 NBR	"O" RING Ø2.62X71.12 NBR	F	2					
27	9.850-347.0	ROLLER BEARING 33206	CUSCINETTO A RULLI 33206		2					
28	9.850-222.0	SINGLE - ENDED SHAFT	ALBERO SEMPLICE P.D.F.		1	•				
	9.850-194.0	" " "	" " "				•			
	9.850-192.0	" " "	" " "					•		
	9.850-193.0	" " "	" " "						•	
	9.853-816.0	" " "	" " "							•
29	9.850-447.0	CRANKSHAFT KEY	CHIAVETTA		1					
30	9.851-287.0	OIL DIP STICK	TAPPO LIVELLO OLIO		1					
31*		CRANKSHAFT SEAL NBR	ANELLO RADIALE NBR	F	1	•	•	•	•	•
32	9.850-546.0	SHIM	DISTANZIALE		1					
33	9.853-798.0	RED OPEN BEARING HOUSING	FLANGIA APERTA ROSSA		1					
34*		PLUNGER BOLT	VITE PISTONE	D-H	3					

Item Pos	Part Number Codice	Description	Descrizione	KIT	Q.TY Q.TA	XLT2515EBCH	XLT3015EBCH	XLT3515EBCH	XLT4015EBCH	XLT5015EBCH
35*		STAINLESS STEEL BONDED SEAL	BONDED SEAL PISTONE - INOX	D-H	3					
36*		PLUNGER 25 MM	PISTONE 25 MM	D	3					
37*		STAINLESS STEEL SPACER	ROSETTA PISTONE INOX	D	3					
38*		PLUNGER ROD	ASTA PISTONE	H	3					
39*		CONNECTING ROD	BIELLA	H	3					
40*		CONNECTING ROD PIN	SPINOTTO	H	3					
41*		SPRING WASHER Ø8	ROSETTA ELASTICA Ø8	H	6					
42*		CONNECTING ROD SCREW M8X35	VITE M8X35	H	6	•	•	•	•	•
43*		"O" RING Ø 2.62X152.07 NBR	"O" RING Ø 2.62X152.07 NBR	F	1					
44	9.853-799.0	RED CRANKCASE COVER	COPERCHIO POSTERIORE ROSSO		1					
45*		"O" RING Ø1.78X14 NBR	"O" RING Ø1.78X14	F	1					
46*		BRASS PLUG G3/8	TAPPO OTTONE G3/8	F	1					
47*		SIGHT GLASS, G3/4	SPIA LIVELLO OLIO G3/4	F	1					
48	9.851-474.0	COVER SCREW STAINLESS STEEL	VITE M6X16 INOX		5					