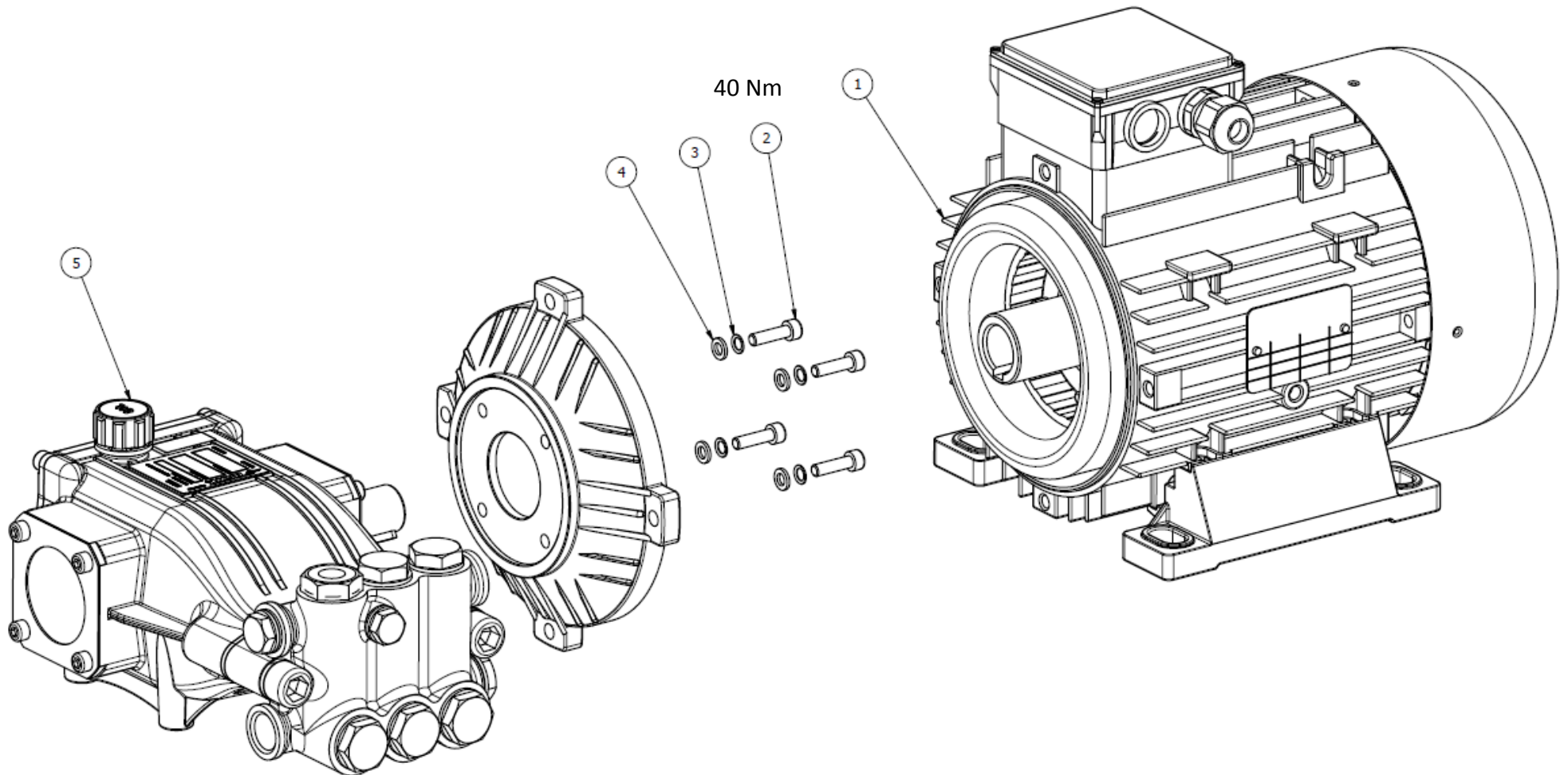


ELECTRIC MOTORPUMP / MOTOPOMPA ELETTRICA NHDP 1415 – 1.904-724.0

ELECTRIC MOTORPUMP / MOTOPOMPA ELETTRICA NHDP 1115 – 1.904-725.0

ELECTRIC MOTORPUMP / MOTOPOMPA ELETTRICA NHDP 1015 – 1.904-726.0

ELECTRIC MOTORPUMP / MOTOPOMPA ELETTRICA NHDP 1112– 1.904-727.0



ELECTRIC MOTORPUMP NHDP1415R – 1.904-724.0 MOTOPOMPA ELETTRICA NHDP1415R – 1.904-724.0**PART LIST****LISTA PARTI**

<i>Pos.Item</i>	<i>Codice</i> Part Number	Description	<i>Descrizione</i>	<i>Q.tà</i> <i>Q.ty</i>
1	1.099-398.0	Mot TP IEC100 4kW 4P 230/400V 50/60Hz hollow shaft Ø24mm	Mot TF IEC100 4kW 4P 230/400V 50/60Hz albero cavo Ø24mm	1
2	9.851-480.0	Screw M6x22 ISO4762 8.8	ViteTCEI M6x22 ISO4762 8.8 ZINC.BIANCA	4
3	9.850-151.0	SCHNORR 06 washer	<i>Rosetta SCHNORR 06</i>	4
4	9.851-115.0	Plate washer Ø6,4/12,5x1,6	<i>Rosetta elastica Ø6,4/12,5x1,6</i>	4
5	1.905-776.0	Pump NHD PLUS 14L 150BAR 1450RPM righth	Pompa NHD PLUS 14L 150BAR 1450RPM destra	1

ELECTRIC MOTORPUMP NHDP1115 – 1.904-725.0 MOTOPOMPA ELETTRICA NHDP1115R – 1.904-725.0**PART LIST****LISTA PARTI**

<i>Pos.Item</i>	<i>Codice</i> Part Number	Description	<i>Descrizione</i>	<i>Q.tà</i> <i>Q.ty</i>
1	1.099-399.0	Mot TP IEC100 3kW 4P 230/400V 50/60Hz hollow shaft Ø24mm	Motore TF IEC100 3kW 4P 230/400V 50/60Hz albero cavo Ø24mm	1
2	9.851-480.0	Screw M6x22 ISO4762 8.8	ViteTCEI M6x22 ISO4762 8.8 ZINC.BIANCA	4
3	9.850-151.0	SCHNORR 06 washer	<i>Rosetta SCHNORR 06</i>	4
4	9.851-115.0	Plate washer Ø6,4/12,5x1,6	<i>Rosetta elastica Ø6,4/12,5x1,6</i>	4
5	1.905-770.0	Pump NHD PLUS 11L 150BAR 1450RPM right	Pompa NHD PLUS 11L 150BAR 1450RPM destra	1

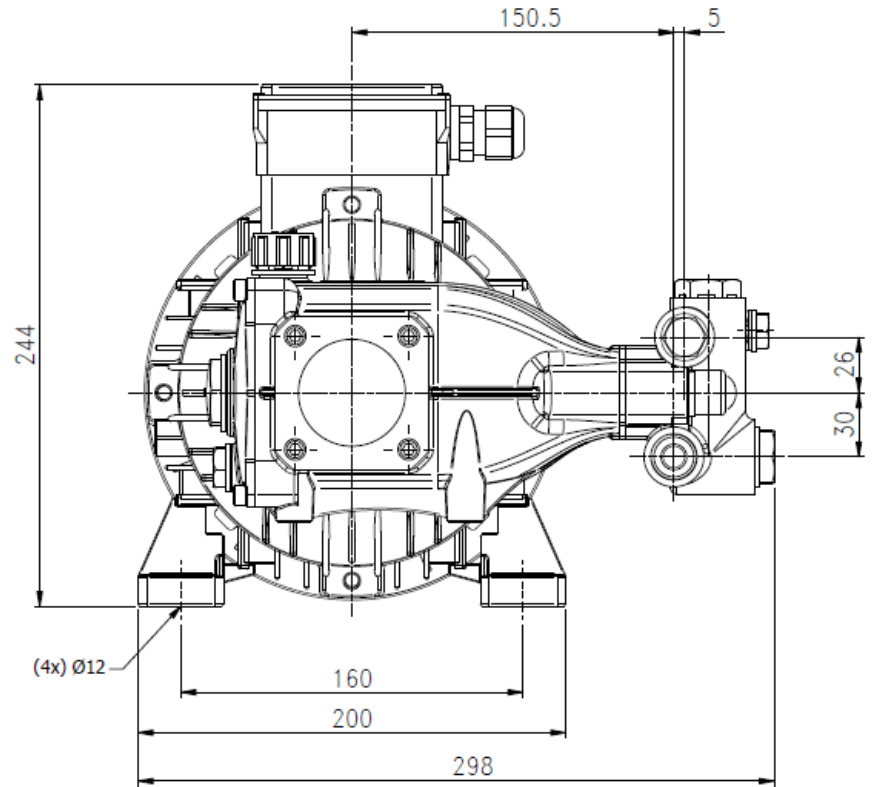
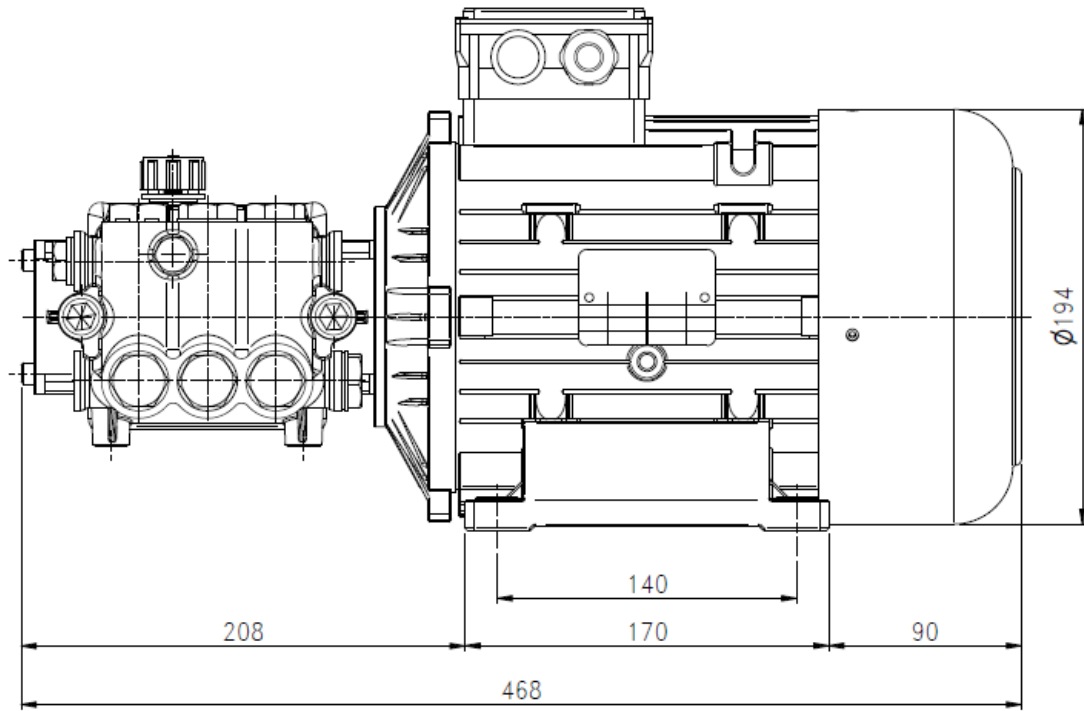
ELECTRIC MOTORPUMP NHDP1015R – 1.904-726.0 MOTOPOMPA ELETTRICA NHDP1015R – 1.904-726.0**PART LIST****LISTA PARTI**

<i>Pos.Item</i>	<i>Codice</i> Part Number	Description	<i>Descrizione</i>	<i>Q.tà</i> <i>Q.ty</i>
1	1.099-400.0	Mot SP IEC100 3kW 4P 230V 50Hz hollow shaft Ø24mm	Mot MF IEC100 3kW 4P 230V 50Hz albero cavo Ø24mm	1
2	9.851-480.0	Screw M6x22 ISO4762 8.8	ViteTCEI M6x22 ISO4762 8.8 ZINC.BIANCA	4
3	9.850-151.0	SCHNORR 06 washer	<i>Rosetta SCHNORR 06</i>	4
4	9.851-115.0	Plate washer Ø6,4/12,5x1,6	<i>Rosetta elastica Ø6,4/12,5x1,6</i>	4
5	1.905-768.0	Pump NHD PLUS 10L 150BAR 1450RPM right	Pompa NHD PLUS 10L 150BAR 1450RPM destra	1

ELECTRIC MOTORPUMP NHDP1415R – 1.904-727.0 MOTOPOMPA ELETTRICA NHDP1415R – 1.904-727.0**PART LIST****LISTA PARTI**

<i>Pos.Item</i>	<i>Codice</i> Part Number	Description	<i>Descrizione</i>	<i>Q.tà</i> <i>Q.ty</i>
1	1.099-410.0	Mot SP IEC100 2,2kW 4P 230V 50Hz hollow shaft Ø24mm	Mot MF IEC100 2,2kW 4P 230V 50Hz albero cavo Ø24mm	1
2	9.851-480.0	Screw M6x22 ISO4762 8.8	ViteTCEI M6x22 ISO4762 8.8 ZINC.BIANCA	4
3	9.850-151.0	SCHNORR 06 washer	<i>Rosetta SCHNORR 06</i>	4
4	9.851-115.0	Plate washer Ø6,4/12,5x1,6	<i>Rosetta elastica Ø6,4/12,5x1,6</i>	4
5	1.904-619.0	Pump NHD PLUS 11L 120BAR 1450RPM right	Pompa NHD PLUS 11L 120BAR 1450RPM destra	1

OVERALL DIMENSIONS - DIMENSIONI DI INGOMBRO



TECHNICAL SPECIFICATIONS

SPECIFICHE TECNICHE

MODEL Modello	PART.NO. Codice	Flow Rate / Portata				Max Pressure Pressione massima		RPM Giri/Minuto		Max Power / Portata				Weight Peso kg	With pump Con pompa
		l/min		US GPM		Bar	Psi	50 Hz	60 hz	HP		kW			
		50 Hz	60Hz	50 Hz	60Hz					50 Hz	60Hz	50Hz	60Hz		
Single Phase		Mono phase motorpump / Motopompa monofase													
610040	1.904-727.0	11	-	2.9	-	100	1500	1450	-	3.0	-	2.2	-	29.8	NHDP1112R
610039	1.904-726.0	10	-	2.6	-	150	2175	1450		4.0	-	3.0	-	30	NHDP1015R
Three Phase		Three phase motorpump / Motopompa trifase													
610038	1.904-725.0	11	13	2.9	3.5	140	2030	1450	1740	4.0	4.9	3.0	3.6	28.2	NHDP1115R
610037	1.904-724.0	14	17	3.7	4.5	150	2175	1450	1740	5.4	6.4	4.0	4.8	29.8	NHDP1415R