

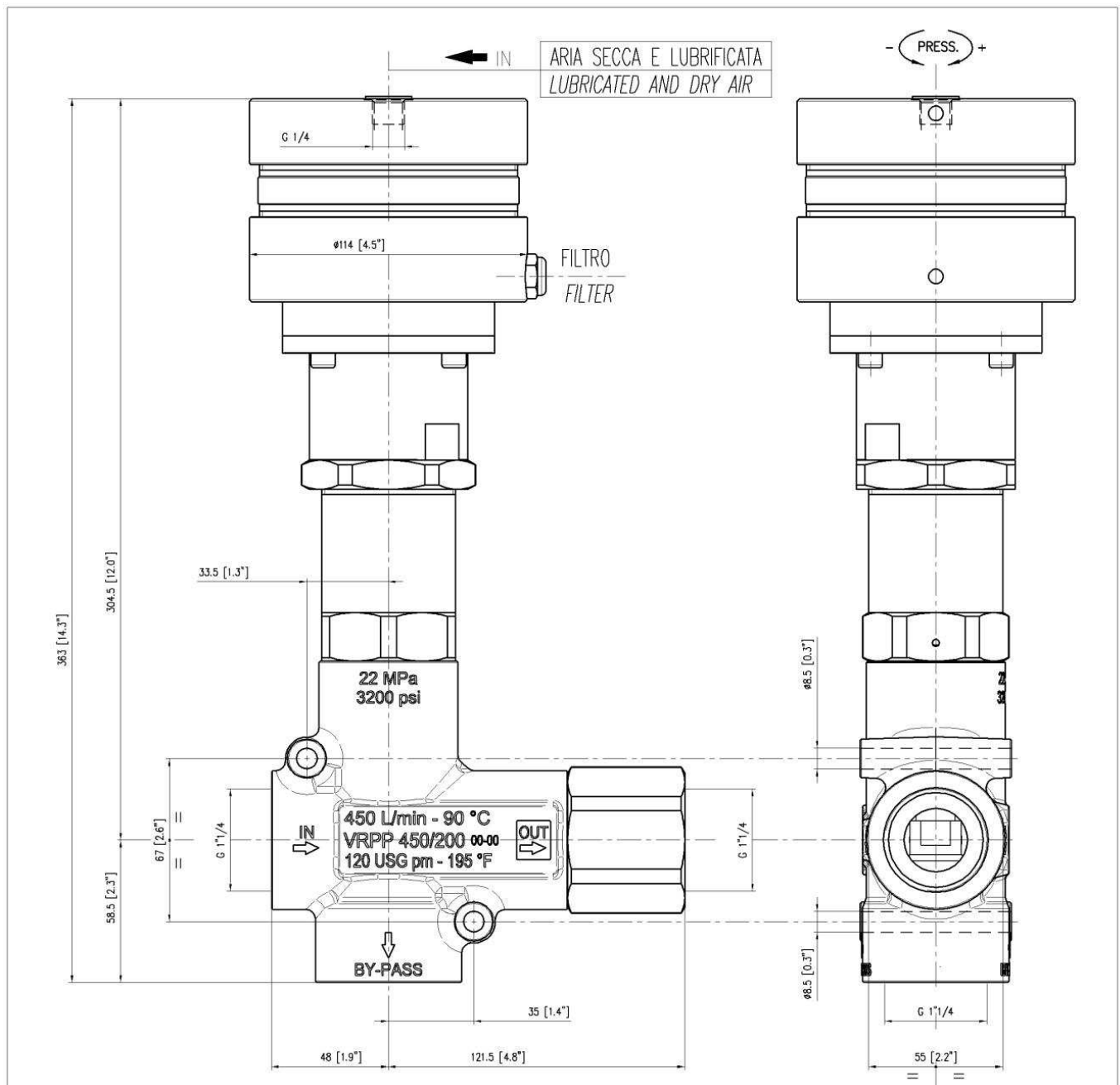
CARATTERISTICHE TECNICHE

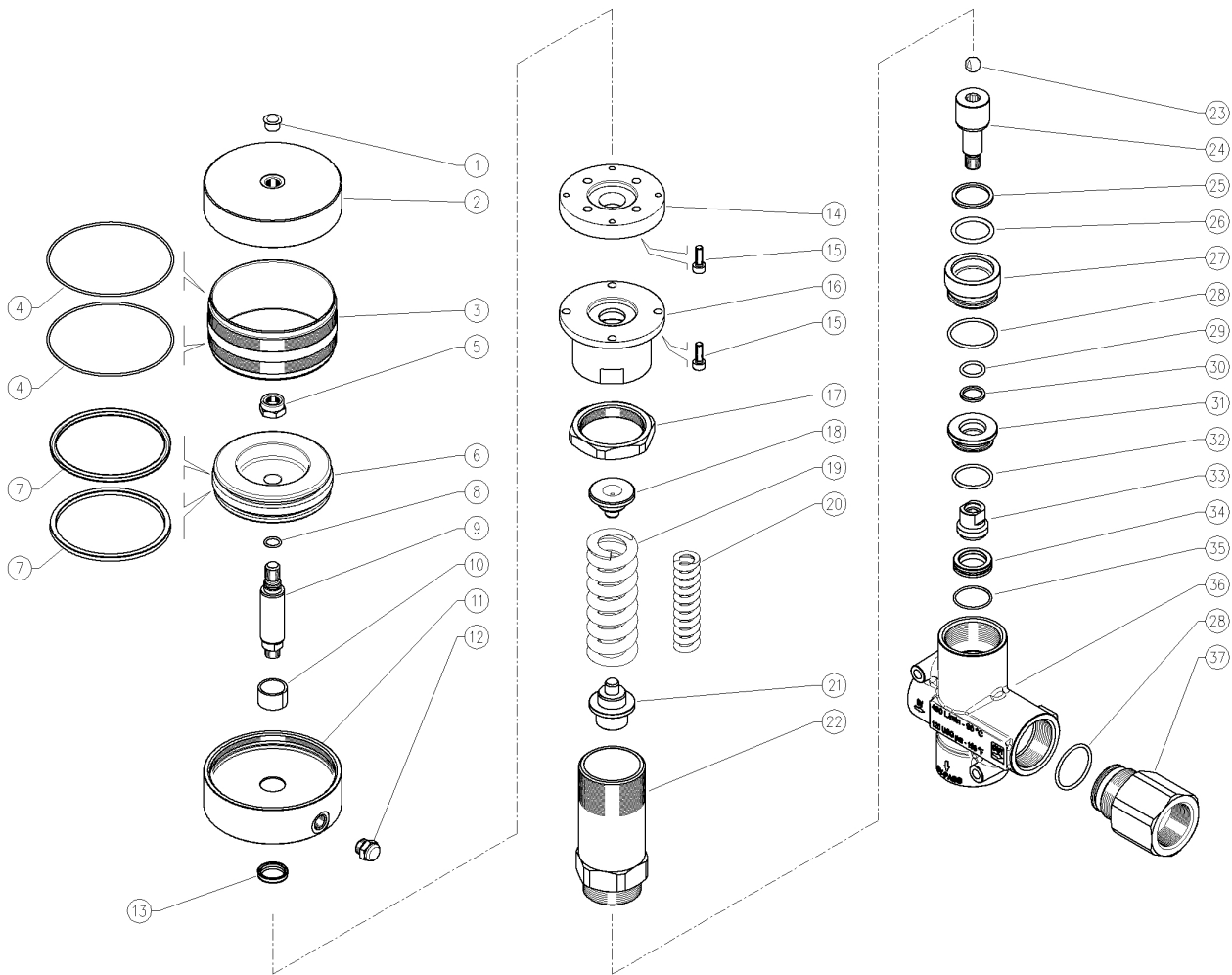
TECHNICAL CHARACTERISTICS

Codice Part No.	Pressione Max Max Pressure		Portata Flow rate		Temp. Max Max Temp.	Inlet Port Entrata	Outlet Port Uscita	By-pass
	bar	PSI	l/min	GPM	°C			
1.904-936.0	200	2900	450	120	90	G 1" 1/4 F	G 1" 1/4 F	G 1" 1/4 F

DIMENSIONI D'INGOMBRO

OVERALL DIMENSIONS





SPARE PARTS KIT

KIT RICAMBIO

CODICE CODE	POS.	Q.TA' Q.TY
1.904-937.0	25	1
	26	1
	28	1
	29	1
	30	1
	32	1
	33	1
	34	1
1.904-938.0	35	1
	4	1
	7	1
	8	1
	10	1
	13	1