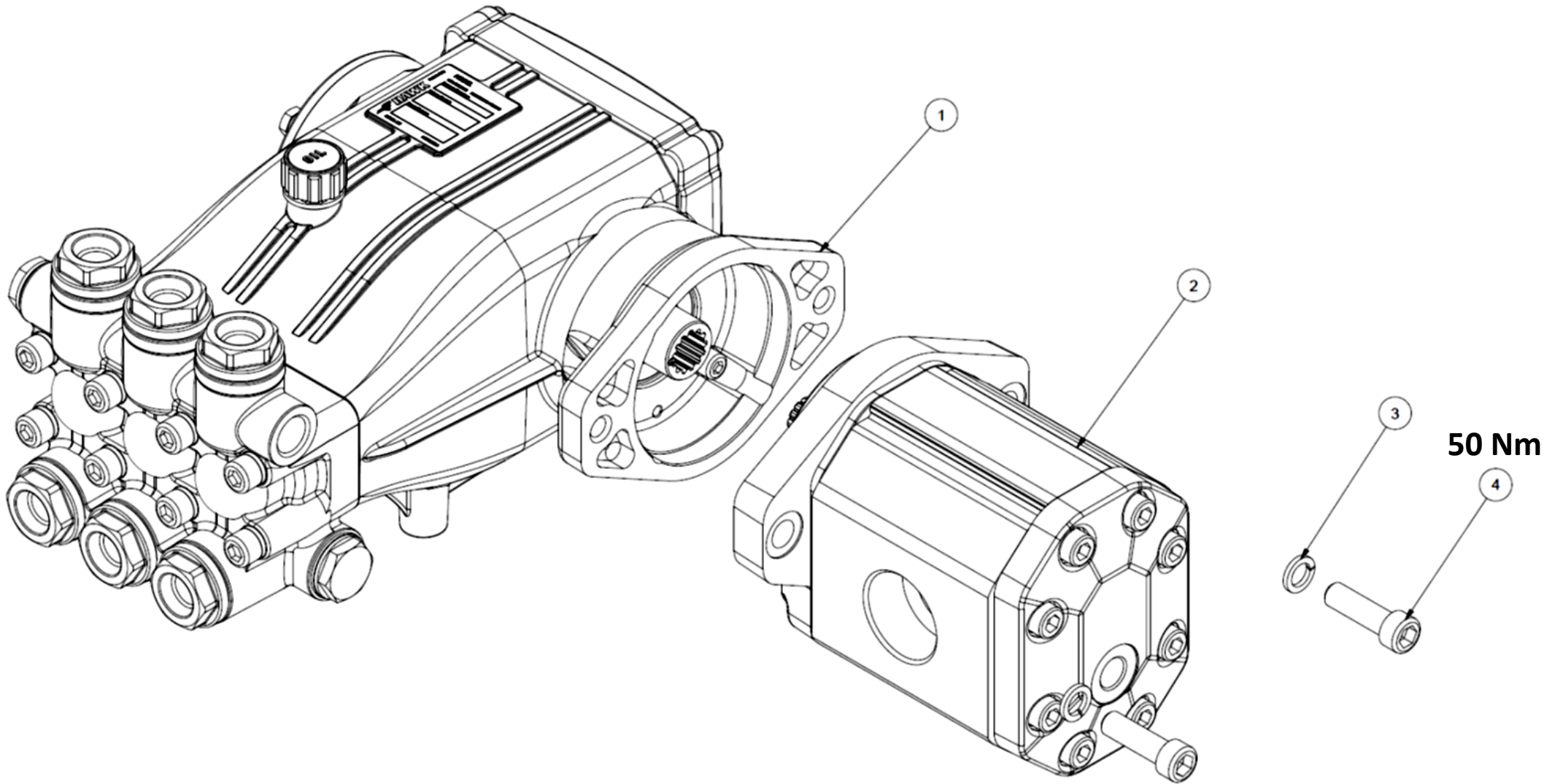


HYDRAULIC MOTORPUMP / MOTOPOMPA IDRAULICA XLT

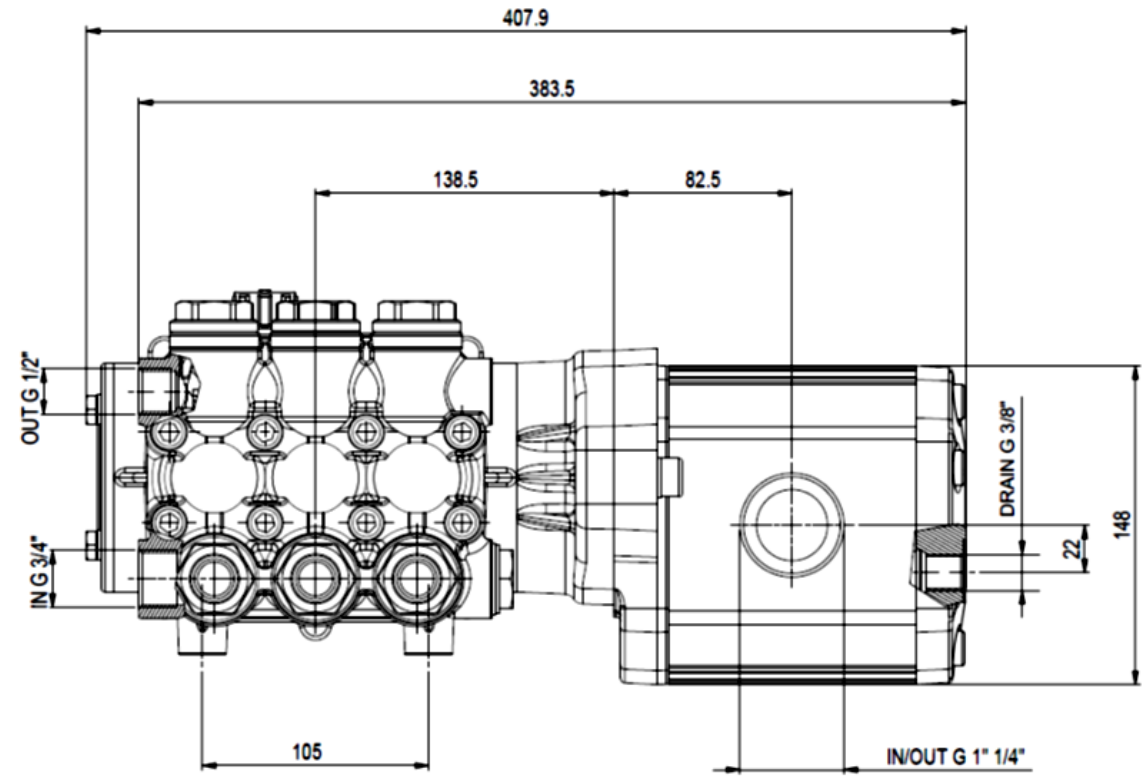
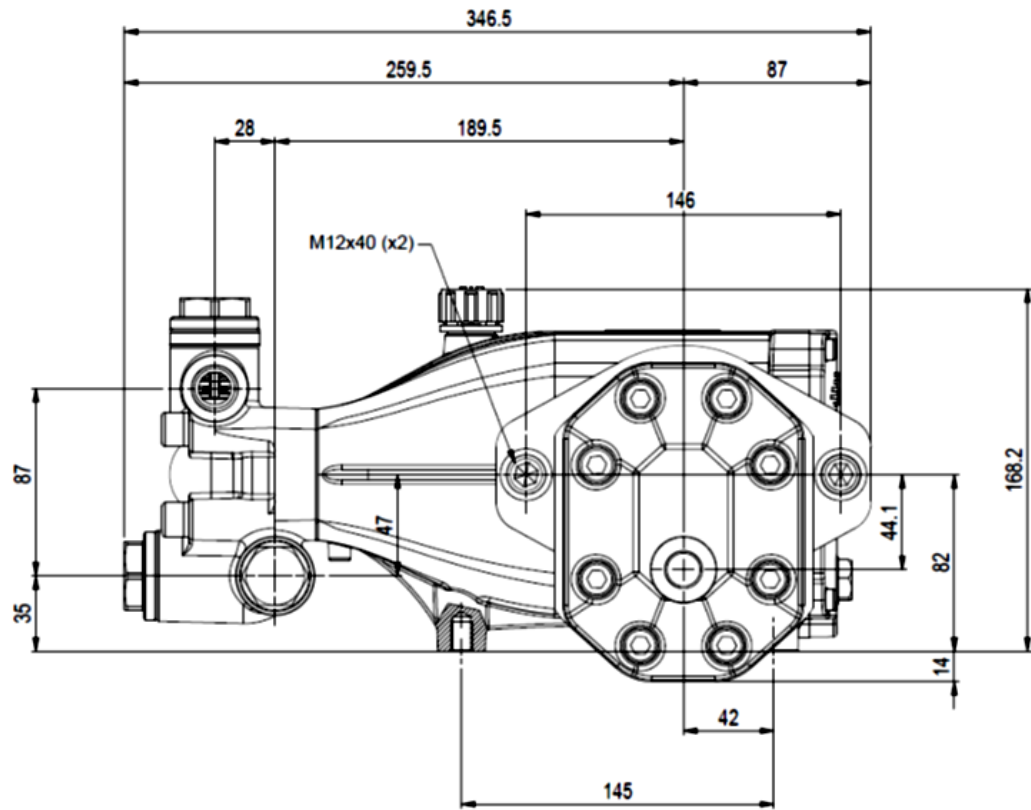


PART LIST

LISTA PARTI

Pos.Item	Codice Part Number	Descrizione	Description	Q.tà Q.ty
	1.904-891.0	POMPA XLT HY 40L 170BAR 1450RPM DX + MOT.GHM3A-66	PUMP XLT HY 40L 170BAR 1450RPM DX + MOT.GHM3A-66	
1	1.904-774.0	<i>Pompa XLT HY 40L 170BAR 1450RPM</i>	Pump XLT HY 40L 170BAR 1450RPM	1
2	9.853-808.0	<i>Motore idraulico GHM3A-66</i>	Hydraulic motor GHM3A-66	1
3	9.851-159.0	<i>Rosetta elastica M12 DIN7980</i>	Washer M12 DIN7980	2
4	9.853-065.0	<i>Vite TCEI M12x40 UNI5931 12.9</i>	Screw M12x40 UNI5931 12.9	2
	1.904-892.0	POMPA XLT HY 50L 150BAR 1450RPM DX + MOT.GHM3A-66	PUMP XLT HY 50L 150BAR 1450RPM DX + MOT.GHM3A-66	
1	1.904-775.0	<i>Pompa XLT HY 50L 150BAR 1450RPM</i>	Pump XLT HY 50L 150BAR 1450RPM	1
2	9.853-808.0	<i>Motore idraulico GHM3A-66</i>	Hydraulic motor GHM3A-66	1
3	9.851-159.0	<i>Rosetta elastica M12 DIN7980</i>	Washer M12 DIN7980	2
4	9.853-065.0	<i>Vite TCEI M12x40 UNI5931 12.9</i>	Screw M12x40 UNI5931 12.9	2

OVERALL DIMENSIONS - DIMENSIONI DI INGOMBRO



TECHNICAL SPECIFICATIONS

SPECIFICHE TECNICHE

MODEL Modello	PART.NO. Codice	PUMP - POMPA						HYDRAULIC MOTOR - MOTORE IDRAULICO						Weight Peso
		Flow Rate Portata		Max Pressure Pressione Massima		RPM Giri/ Minuto	Max Power Potenza massima		Displacement Cilindrata	Oil Flow Rate Portata Oilo		Max Oil Pressure Pressione Massima Oilo		
		l/min	US GPM	Bar	Psi		HP	kW		cm ³ rev	l/min	US GPM	Bar	
XLT HY 40L 170BAR	1.904-891.0	40.0	10.6	170	2465	1450	17.0	12.5	44	59.9	15.8	139.9	2029	---
XLT HY 50L 150BAR	1.904-892.0	50.0	13.2	150	2175		18.8	13.8	44	59.9	18.8	154.5	2240.8	