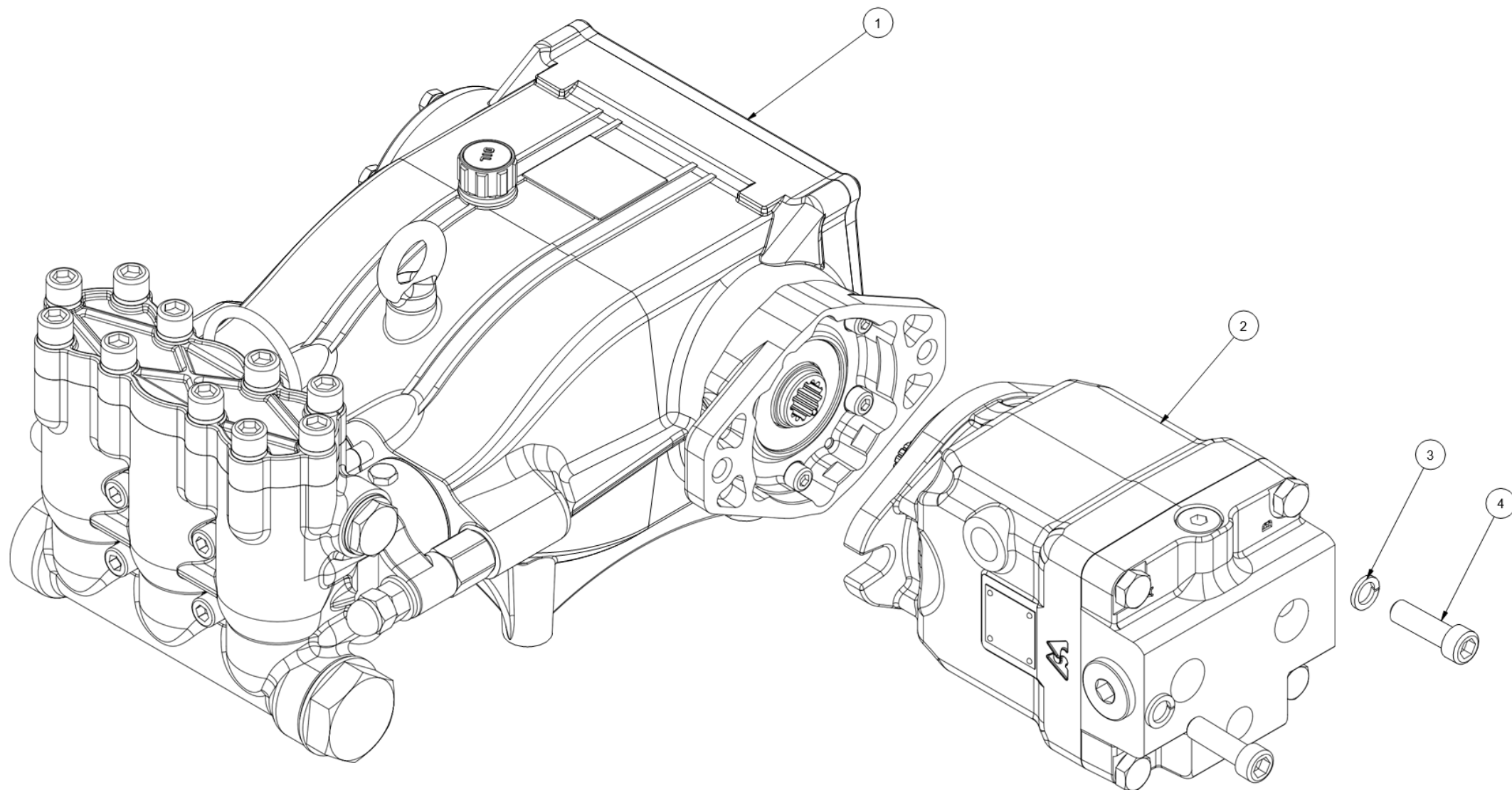
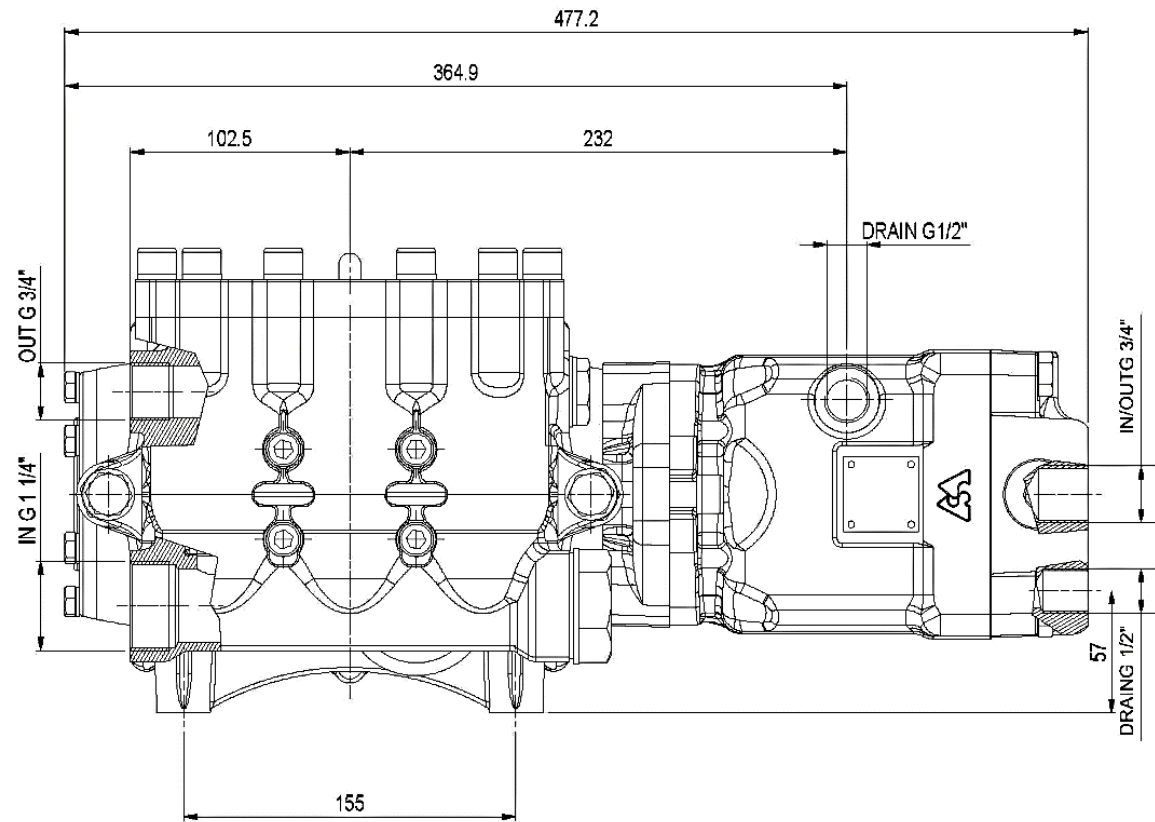
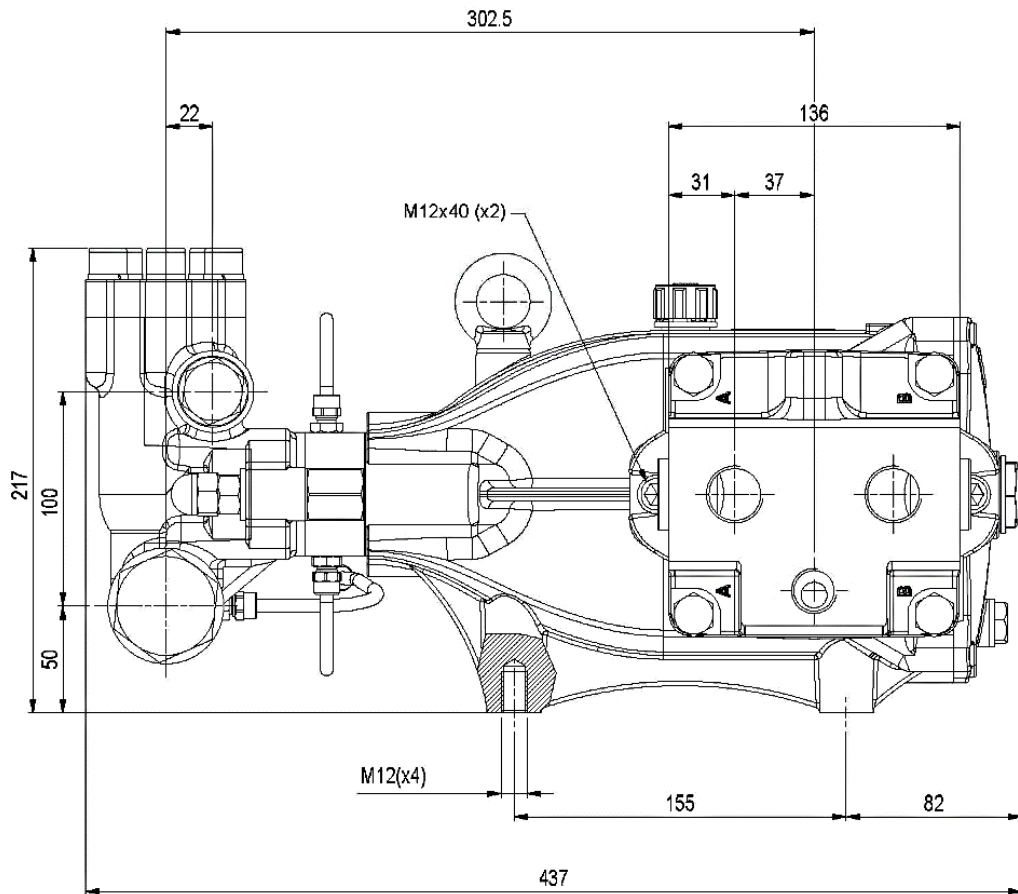


MXT HYDRAULIC MOTORPUMP WITH PISTON MOTOR

MOTOPOMPA IDRAULICA MXT CON MOTORE A PISTONI



OVERALL DIMENSIONS - DIMENSIONI DI INGOMBRO



PART LIST

LISTA PARTI

Pos. Item	Codice Part Number	Descrizione	Description	Q.tà	Q.ty
	1.904-911.0	POMPA MXT 70L 200BAR 1450RPM HY DX + MOT.MAP-46	POMPA MXT 70L 200BAR 1450RPM HY DX + MOT.MAP-46		
1	1.904-786.0	Pompa MXT 70L 200BAR 1450RPM HY DX	Pump MXT 70L 200BAR 1450RPM HY RIGHT	1	
2	9.853-812.0	Motore idraulico 47.13CC SAEB-ALB.SC. 22.2 IN/OUT G.3/4 DRAIN G.1/2	Hydraulic Motor 47.13CC SAEB-ALB.SC. 22.2 IN/OUT G.3/4 DRAIN G.1/2	1	
3	9.851-159.0	Rosetta elastica M12 DIN7980	Washer M12 DIN7980	2	
4	9.853-065.0	Vite TCEI M12x40 UNI5931 12.9	Screw M12x40 UNI5931 12.9	2	
	1.904-910.0	POMPA MXT 100L 150BAR 1450RPM HY DX + MOT.MAP-46	POMPA MXT 100L 150BAR 1450RPM HY DX + MOT.MAP-46		
1	1.904-787.0	Pompa MXT 100L 150BAR 1450RPM HY DX	Pump MXT 100L 150BAR 1450RPM HY RIGHT	1	
2	9.853-812.0	Motore idraulico 47.13CC SAEB-ALB.SC. 22.2 IN/OUT G.3/4 DRAIN G.1/2	Hydraulic Motor 47.13CC SAEB-ALB.SC. 22.2 IN/OUT G.3/4 DRAIN G.1/2	1	
3	9.851-159.0	Rosetta elastica M12 DIN7980	Washer M12 DIN7980	2	
4	9.853-065.0	Vite TCEI M12x40 UNI5931 12.9	Screw M12x40 UNI5931 12.9	2	
	1.904-914.0	POMPA MXT 100L 150BAR 1450RPM HY DX + MOT.MAP-62	POMPA MXT 100L 150BAR 1450RPM HY DX + MOT.MAP-62		
1	1.904-787.0	Pompa MXT 100L 150BAR 1450RPM HY DX	Pump MXT 100L 150BAR 1450RPM HY RIGHT	1	
2	9.853-813.0	49.94CC SAEB-ALB.SC. 22.2 IN/OUT G.3/4 DRAIN G.1/2	Hydraulic Motor 49.94CC SAEB-ALB.SC. 22.2 IN/OUT G.3/4 DRAIN G.1/2	1	
3	9.851-159.0	Rosetta elastica M12 DIN7980	Washer M12 DIN7980	2	
4	9.853-065.0	Vite TCEI M12x40 UNI5931 12.9	Screw M12x40 UNI5931 12.9	2	

TECHNICAL SPECIFICATIONS

SPECIFICHE TECNICHE

MODEL Modello	PART.NO. Codice	PUMP - POMPA						HYDRAULIC MOTOR - MOTORE IDRAULICO						Weight Peso
		Flow Rate Portata		Max Pressure Pressione Massima		RPM Giri/ Minuto	Max Power Potenza massima		Displacement Cilindrata	Oil Flow Rate Portata Oilo		Max Oil Pressure Pressione Massima Oilo		
		l/min	US GPM	Bar	Psi		HP	kW		cm ³ rev	l/min	US GPM	Bar	
MXT HY 70L 200BAR	1.904-911.0	70.0	18.5	200	2900	1450	35.9	26.4	47.13	68.5	18.1	257.5	3733	50.3
MXT HY 100L 150BAR	1.904-910.0	100.0	25.9	150	2175		37.7	27.7	47.13	68.5	18.1	270	3915	
MXT HY 100L 150BAR	1.904-914.0	100.0	25.9	150	2175		37.7	27.7	62.4	90.3	23.9	204	2958	