

MOTOPOMPA 1.905-049.0 / MOTORPUMP 1.905-049.0

PRESSIONE MASSIMA / *MAX PRESSURE* : 190 BAR

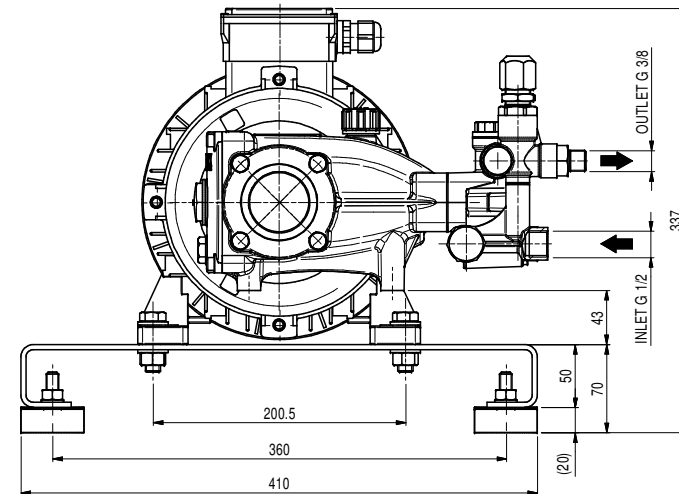
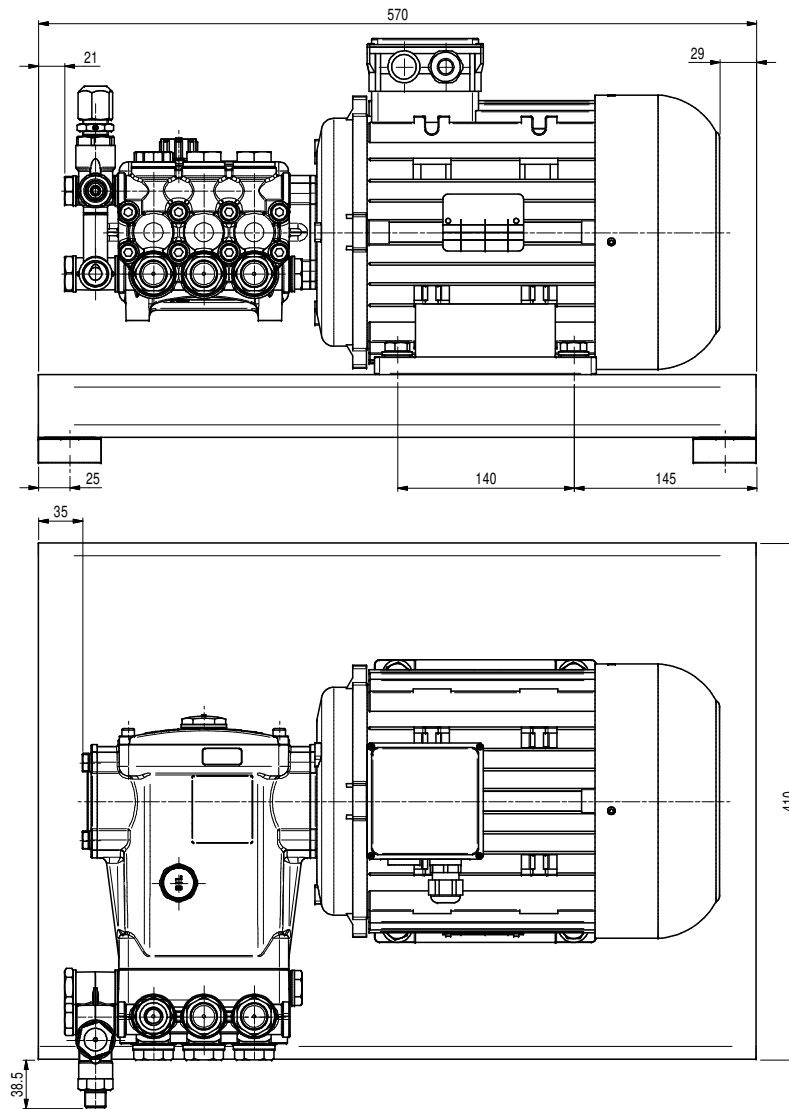
PORTATA A 1450 RPM / *FLOW RATE AT 1450 RPM* : 15 l/min

PORTATA A 1740 RPM / *FLOW RATE AT 1740 RPM* : 18 l/min

POTENZA MASSIMA A 1450 RPM / *MAX POWER AT 1450 RPM* : 5.5 kW

POTENZA MASSIMA A 1740 RPM / *MAX POWER AT 1740 RPM* : 6.6 kW

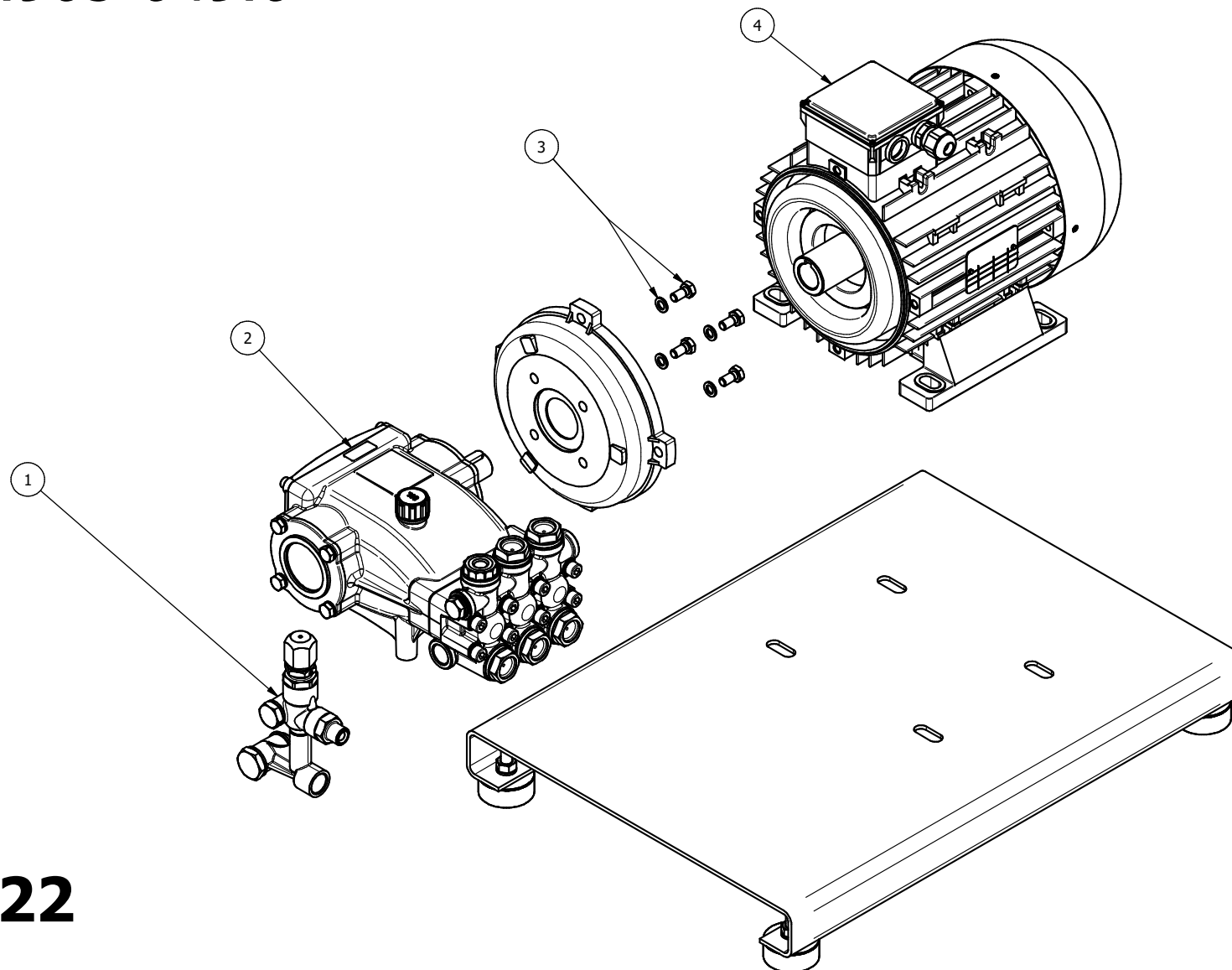
PESO / *WEIGHT* : 53 kg



Rev.0 08-22

Motopompa 1.905-049.0

Motorpump 1.905-049.0



Rev.0 08-22

MOTOPOMPA 1.905-049.0 MOTORPUMP

PARTS LIST

LISTA PARTI

<i>Pos.</i> Item	<i>Codice</i> Part Number	Description	<i>Descrizione</i>	<i>Q.tà</i> Q.ty
1	1.099-486.0	VBT Valve	Valvola VBT	1
2	1.099-052.0	NMT1520R Pump	Pompa NMT1520R	1
3	1.099-397.0	Electric Motor IEC 112 5.5 kW	Motore Elettrico IEC 112 5,5 kW	1
4	1.099-112.0	Kit, fixing screws motor IEC100-112	Kit viti fissaggio motore IEC100-112 (NMT)	1

ACCESSORIES

ACCESSORI

<i>Codice</i> Part Number	Description	<i>Descrizione</i>	<i>Q.tà</i> Q.ty
1.905-050.0	Kit, Spray-gun+Lance+Hose	Kit Pistola+Lancia+Tubo Alta Pressione	1