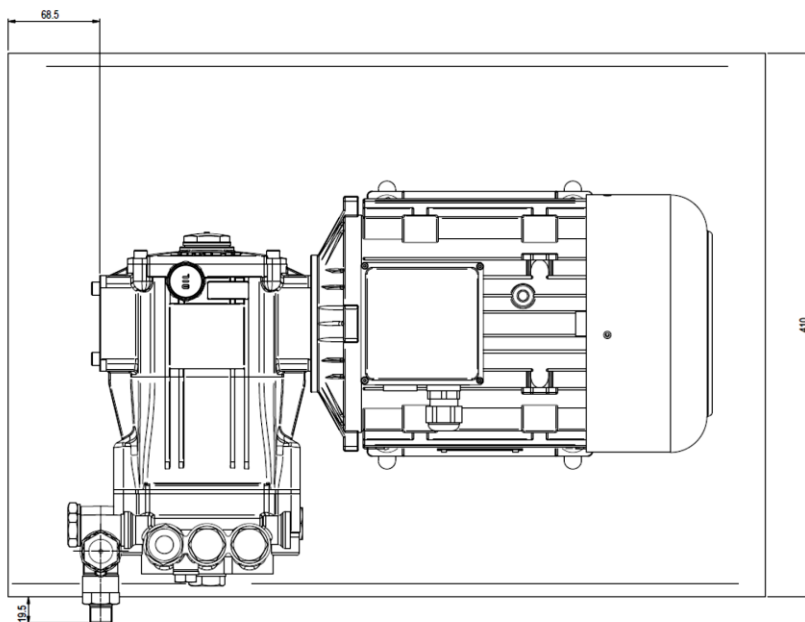
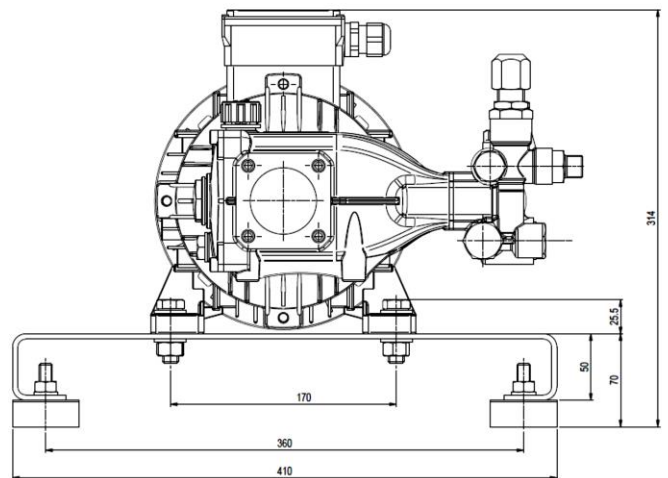
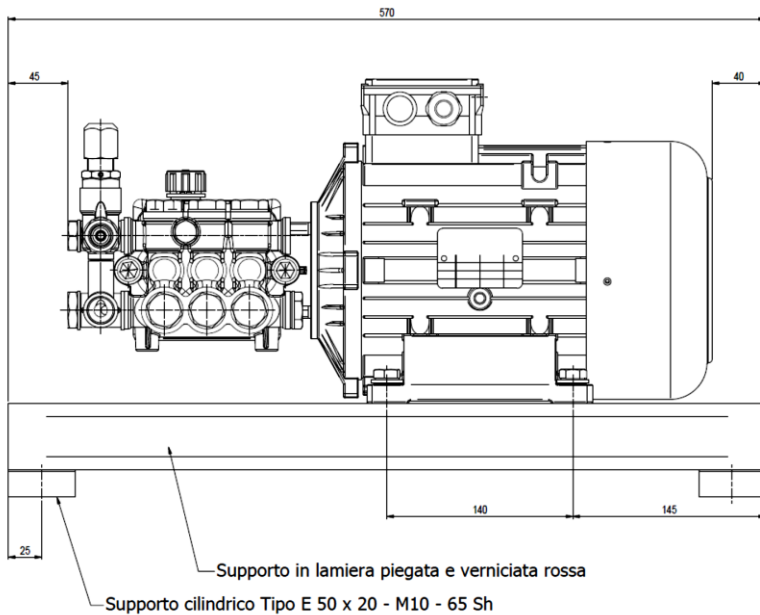
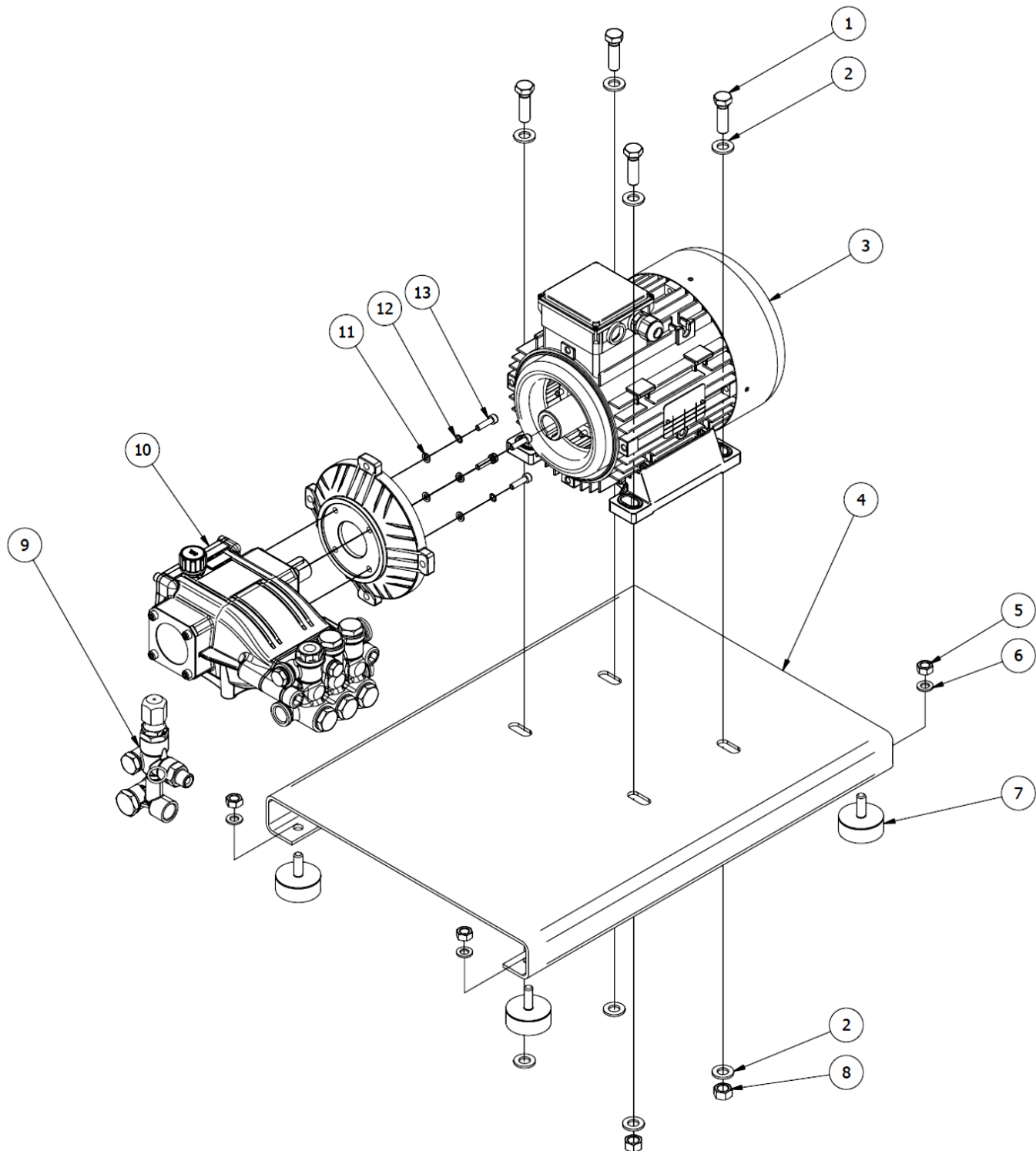


**ELETTROPOMPA 1.905-230.0 / MOTORPUMP 1.905-230.0**  
**PRESSIONE MASSIMA / MAX PRESSURE : 140 BAR**  
**PORTATA A 1450 RPM / FLOW RATE AT 1450 RPM : 11 l/min**  
**PORTATA A 1740 RPM / FLOW RATE AT 1740 RPM : 13 l/min**  
**POTENZA MASSIMA A 1450 RPM / MAX POWER AT 1450 RPM : 3 kW**  
**POTENZA MASSIMA A 1740 RPM / MAX POWER AT 1740 RPM : 3 kW**  
**PESO / WEIGHT : 49 kg**



**EXPLODED VIEW / ESPLOSO**



### PARTS LIST LISTA PARTI

Item Pos	Part Number Codice	Descrizione	Q.TY Q.TÀ	1.905-049.0
1	9.851-518.0	VTE M12 x 40 UNI5739	4	
2	9.851-117.0	ROSETTA M12 UNI 6592B	8	
3	1.099-399.0	MOT TF IEC100 4P 3 kW ALB CAV	1	
4	9.853-997.0	SUPPORTO MOTOPOMPE	1	
5	9.850-561.0	DADO M10 UNI 5588 INOX	4	
6	9.851-132.0	ROSETTA FE 10x18x2	4	
7	9.853-998.0	ANTIVIBRANTE TIPO E 50 x 20 M10 - 65 Sh	4	•
8	9.850-573.0	DADO M12 UNI5588	4	
9	1.099-485.0	VALVOLA VBT NHDP	1	
10	1.905-770.0	POMPA NHDP1115R	1	
11	9.851-115.0	ROSETTA PIANA	4	
12	9.851-151.0	ROSETTA SCHNORR 06	4	
13	9.851-480.0	VITE TCEI M6x22 ISO4762 8.8 ZINC: BIANCA	4	