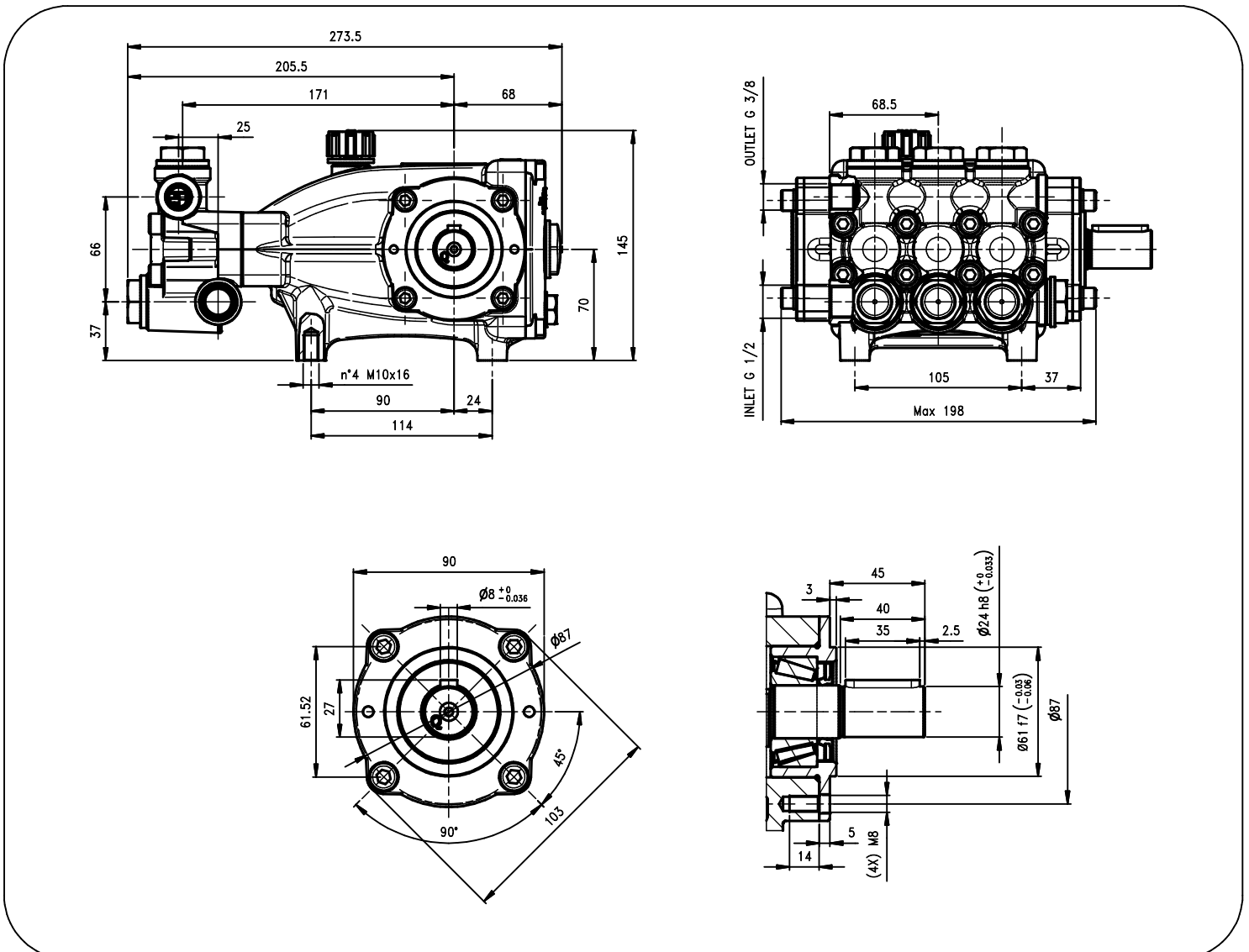


Pump Pompa	Pressure Pressione		Volume Portata				RPM giri/min		Power Potenza			
			l/min		GPM				HP		kW	
	bar	PSI	50 Hz	60 Hz	50 Hz	60 Hz	50 Hz	60 Hz	50 Hz	60 Hz	50 Hz	60 Hz
NMT1520EBCW	200	3000	15.0	18.0	4.0	4.7	1450	1740	7.7	9.2	5.7	6.8
NMT2120EBCW	200	3000	21.0	25.0	5.5	6.6	1450	1740	10.7	12.8	7.9	9.4

Dimensioni d'ingombro

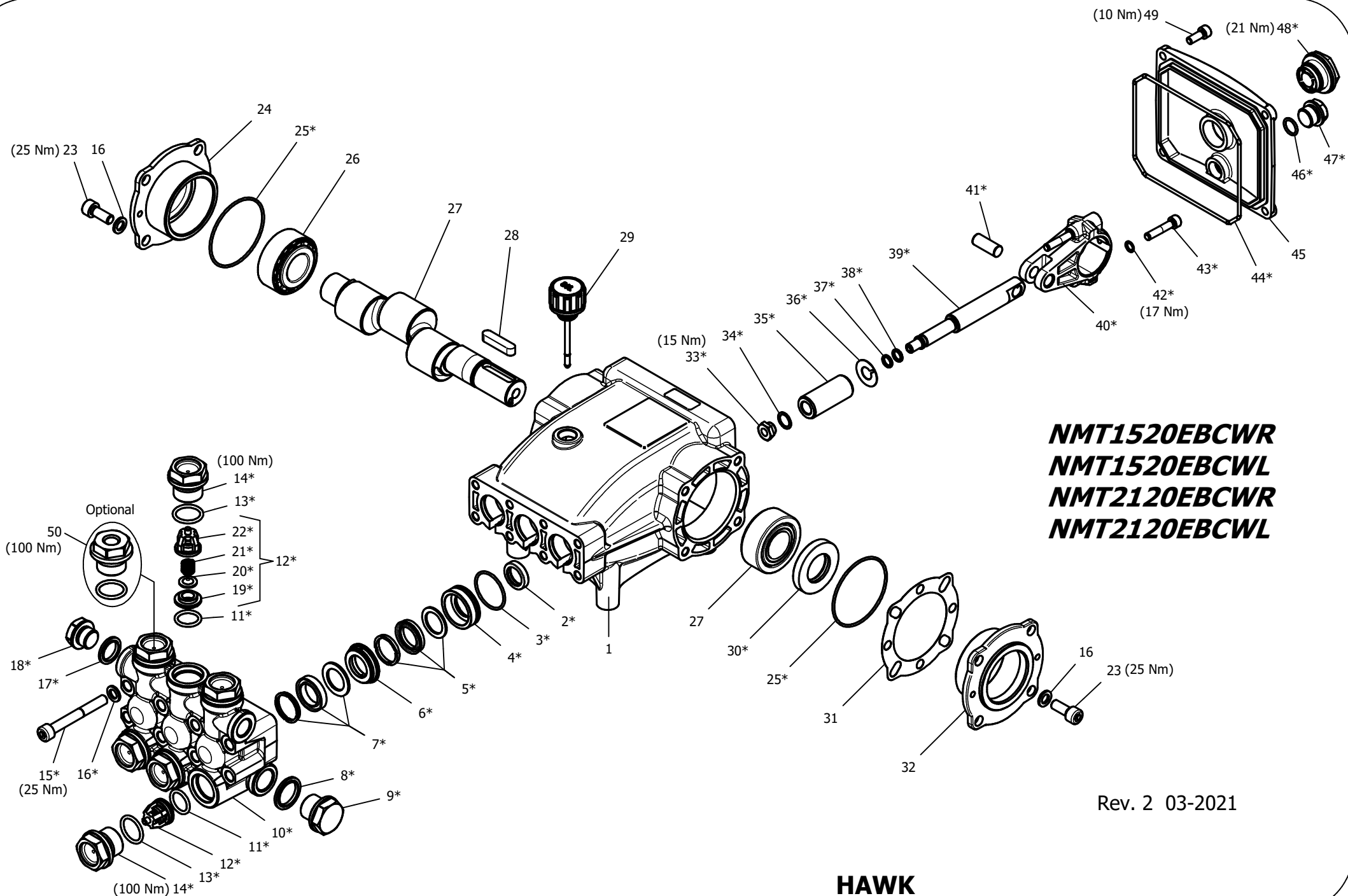
Overall dimensions



Lubrificazione: Olio SAE 10-40W
Capacità: 0.7 Litri
Peso pompa: 10.3 Kg

Rev. 2 03-2021

Lubrication: SAE 10-40W Oil
Capacity: 0.7 Litres
Weight: 10.3 Kg



NMT1520EBCWR
NMT1520EBCWL
NMT2120EBCWR
NMT2120EBCWL

Rev. 2 03-2021

HAWK
Pompe NMT EBCW serie 2020
NMT EBCW Pumps 2020 series

NMT ECOBRASS CAR WASH 2020 SERIES

ORDINARY MAINTENANCE KIT / KIT MANUTENZIONE ORDINARIA

KIT	Item Pos.	Part Number Codice	Description	Descrizione	Q.TY by Pump Q.TA per Pompa	NMT1520EBCW	NMT2120EBCW
A	3- 5- 7	1.099-849.0	PLUNGER SEALS DIA. 20 mm	GUARNIZIONI PISTONE Ø20	1		
B	11- 12- 13 (19- 20- 21 22)	1.905-583.0	COMPLETE VALVE	VALVOLA COMPLETA	1	•	•

EXTRAORDINARY MAINTENANCE KIT / KIT MANUTENZIONE STRAORDINARIA

KIT	Item Pos.	Part Number Codice	Description	Descrizione	Q.TY by Pump Q.TA per Pompa	NMT1520EBCW	NMT2120EBCW
C	3- 4- 5- 6- 7	1.905-584.0	COMPLETE SEALS PACKING DIA. 20 mm	PACCO COMPLETO GUARNIZIONI PISTONE Ø20	1		
D	33- 34- 35 36- 37- 38	1.099-846.0	PLUNGER DIA. 20 mm	PISTONE Ø20	3		
E	2	1.904-806.0	PLUNGER OIL SEALS	ANELLI TENUTA OLIO ASTA	1		
F	25- 30- 44 46- 47- 48	1.905-542.0	KIT CRANKCASE SEALS	KIT TENUTE CARTER	1		
G	3- 4- 5- 6- 7 8- 9- 10- 11 12- 13- 14 15- 16- 17 18 (19- 20 21- 22)	1.904-728.0	COMPLETE MANIFOLD	TESTATA COMPLETA	1	•	•
H	33- 34- 37 38- 39- 40 41- 42- 43	1.905-581.0	CONNECTING ROD PLUNGER ROD ASSY	PREMONTATO ASTA-BIELLA PISTONE	3		
I	13- 14	1.904-729.0	VALVE PLUG ASSY	PREMONTATO TAPPO VAM	6		

“Q.TY by Pump” => Necessary quantity to repair one pump
 “Q.TA’ per Pompa” => Quantità necessaria per riparare una pompa

OPTIONAL

Item Pos.	Part Number Codice	Description	Descrizione	Q.TY by Pump Q.TA per Pompa	NMT1520EBCW	NMT2120EBCW
50	9.853-426.0	THREADED BRASS PLUG G1/4	PREMONTATO TAPPO FORATO	1	•	•

TOOL KIT

Part Number Codice	Description	Descrizione	Q.TY by Pump Q.TA per Pompa	NMT1520EBCW	NMT2120EBCW
1.099-667.0	TOOL-KIT	TOOL-KIT	1	•	•
1.904-414.0	OIL SEAL EXTRACTOR TOOL-KIT	TOOL-KIT ESTRAZIONE PARAOLIO	1		

IMPORTANT

IMPORTANTE

* Part available **ONLY** in kit
Disponibile **SOLO** in kit

(...) Parts pre-assembled
Parti pre-assemblate

PARTS LIST LISTA PARTI

Item Pos	Part Number Codice	Description	Descrizione	KIT	Q.TY Q.TÀ	NMT1520EBCW	NMT2120EBCW
1	9.851-881.0	RED CRANKCASE	CARTER ROSSO		1		
2*		PLUNGER OIL SEAL FKM	ANELLO RADIALE FKM	E	3		
3*		"O" RING Ø1.78X31.47	"O" RING Ø1.78X31.47	A-C-G	3		
4*		ECOBRESS PRESSURE RING 20MM	PRESSORE "U" Ø20 ECOBRASS	C-G	3		
5*		LOW PRESSURE "U" SEAL, DIA.20MM	ANELLO TENUTA "U" Ø20	A-C-G	3		
6*		ECORASS INTERMED. RING 20MM	DIFFUSORE INTER. Ø20 ECOBRASS	C-G	3		
7*		HIGH PRESSURE "U" SEAL, DIA.20MM	ANELLO TENUTA "U" Ø20	A-C-G	3		
8*		BONDED SEAL G1/2 STAINLESS STEEL	BONDED SEAL G 1/2 INOX	G	1		
9*		PLUG G1/2 STAINLESS STEEL	TAPPO G1/2 INOX	G	1		
10*		CHROME PLATED MANIFOLD HOUSING	TESTATA CROMATA ECOBRASS	G	1		
11*		"O" RING Ø2.62X17.13	"O" RING Ø2.62X17.13	B-G	6		
12*		VALVE ASSEMBLY	VALVOLA PREMONTATA	B-G	6		
13*		"O" RING Ø2.62X20.29	"O" RING Ø2.62X20.29	B-G-I	6		
14*		CHROMED VALVE PLUG	TAPPO VALVOLA CROMATO	G-I	6		
15*		MANIFOLD STUD BOLT STAINLESS STEEL	VITE TCEI M8X65 INOX A2 70	G	8		
16*		WASHER Ø8,5 STAINLESS STEEL	ROSETTA Ø8.5 INOX	G	16		
17*		BONDED SEAL G3/8 STAINLESS STEEL	BONDED SEAL G 3/8 INOX	G	1		
18*		STAINLESS STEEL PLUG G3/8	TAPPO G3/8 INOX	G	2		
19*		VALVE SEAT	SEDE VALVOLA	B-G	6		
20*		VALVE PLATE	PIATTELLO VALVOLA	B-G	6		
21*		VALVE SPRING	MOLLA VALVOLA	B-G	6		
22*		VALVE CAGE	GABBIA VALVOLA	B-G	6		
23	9.851-476.0	HEX SOCKET SCREW M8X20 STAINLESS STEEL	VITE TCEI M8X20 INOX A2 70		8		
24	9.850-639.0	RED CLOSED BEARING HOUSING	FLANGIA CHIUSA RED		1		
25*		"O" RING Ø1.78X60.05	"O" RING Ø1.78X60.05	F	2		
26	9.850-349.0	ROLLER BEARING 33205	CUSCINETTO A RULLI 33205		2		
27	9.850-177.0	SINGLE - ENDED SHAFT	ALBERO SEMPLICE P.D.F.		1		
	9.850-179.0	SINGLE - ENDED SHAFT	ALBERO SEMPLICE P.D.F.		1		
28	9.850-446.0	CRANKSHAFT KEY	CHIAVETTA		1		
29	9.851-286.0	OIL DIP STICK	TAPPO LIVELLO OLIO		1		
30*		CRANKSHAFT SEAL	ANELLO RADIALE	F	1		
31	9.850-547.0	SHIM	DISTANZIALE		1		
32	9.850-638.0	RED BEARING HOUSING	FLANGIA ROSSA		1		
33*		PLUNGER NUT STAINLESS STEEL	DADO PISTONE INOX	D-H	3		
34*		SPACER Ø 11.2/15X0.5 STAINLESS STEEL	ROSETTA Ø 1.2/15X0.5 INOX	D-H	3		
35*		PLUNGER 20MM	PISTONE Ø20	D	3		
36*		SPACER Ø 11.3/24X0.5 STAINLEES STEEL	ROSETTA Ø 1.3/24X0.5 INOX	D	3		

Item Pos	Part Number Codice	Description	Descrizione	KIT	Q.TY Q.TÀ	NMT1520EBCW	NMT2120EBCW
37*		"O" RING Ø1.78X7.66	"O" RING Ø1.78X7.66	D-H	3		
38*		TEFLON RING	ANELLO ANTIESTRUSIONE	D-H	3		
39*		PLUNGER ROD STAINLESS STEEL	ASTA PISTONE INOX	H	3		
40*		CONNECTING ROD	BIELLA	H	3		
41*		CONNECTING ROD PIN	SPINOTTO	H	3		
42*		SPRING WASHER Ø6	ROSETTA ELASTICA Ø6	H	6		
43*		CONNECTING ROD SCREW M6X30	VITE M6X30	H	6	•	•
44*		"O" RING Ø 2.62X126.67	"O" RING Ø 2.62X126.67	F	1		
45	9.853-776.0	RED CRANKCASE COVER	COPERCHIO ROSSO		1		
46*		"O" RING Ø1.78X14	"O" RING Ø1.78X14	F	1		
47*		BRASS PLUG G 3/8	TAPPO G 3/8	F	1		
48*		SIGHT GLASS, G3/4	SPIA LIVELLO OLIO G3/4	F	1		
49	9.851-475.0	COVER SCREW M6X16 STAINLESS STEEL	VITE M6X16 INOX A2 70		4		