

NPM GR

Caratteristiche Tecniche

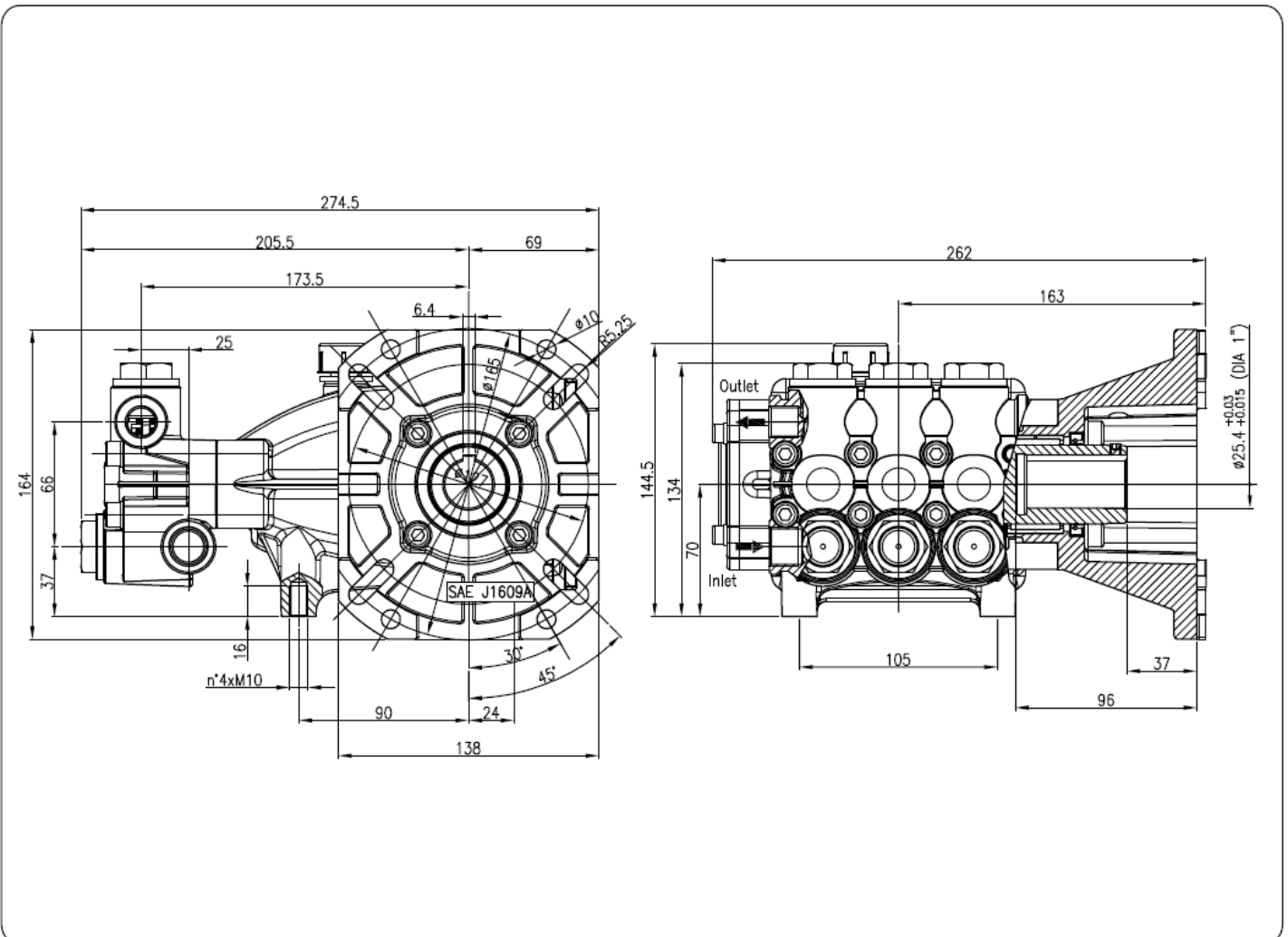
SAE J609b

Technical Characteristics

Pump Pompa	Pressure Pressione		Volume Portata		RPM giri/min	Power Potenza	
	bar	PSI	l/min	GPM		HP	kW
NPM1327GR	275	4000	13.5	3.5	3400	9.6	7.1
NPM1427GR	275	4000	14.5	3.8	3400	10.3	7.6
NPM1727GR	275	4000	17	4.4	3400	12.2	9.0

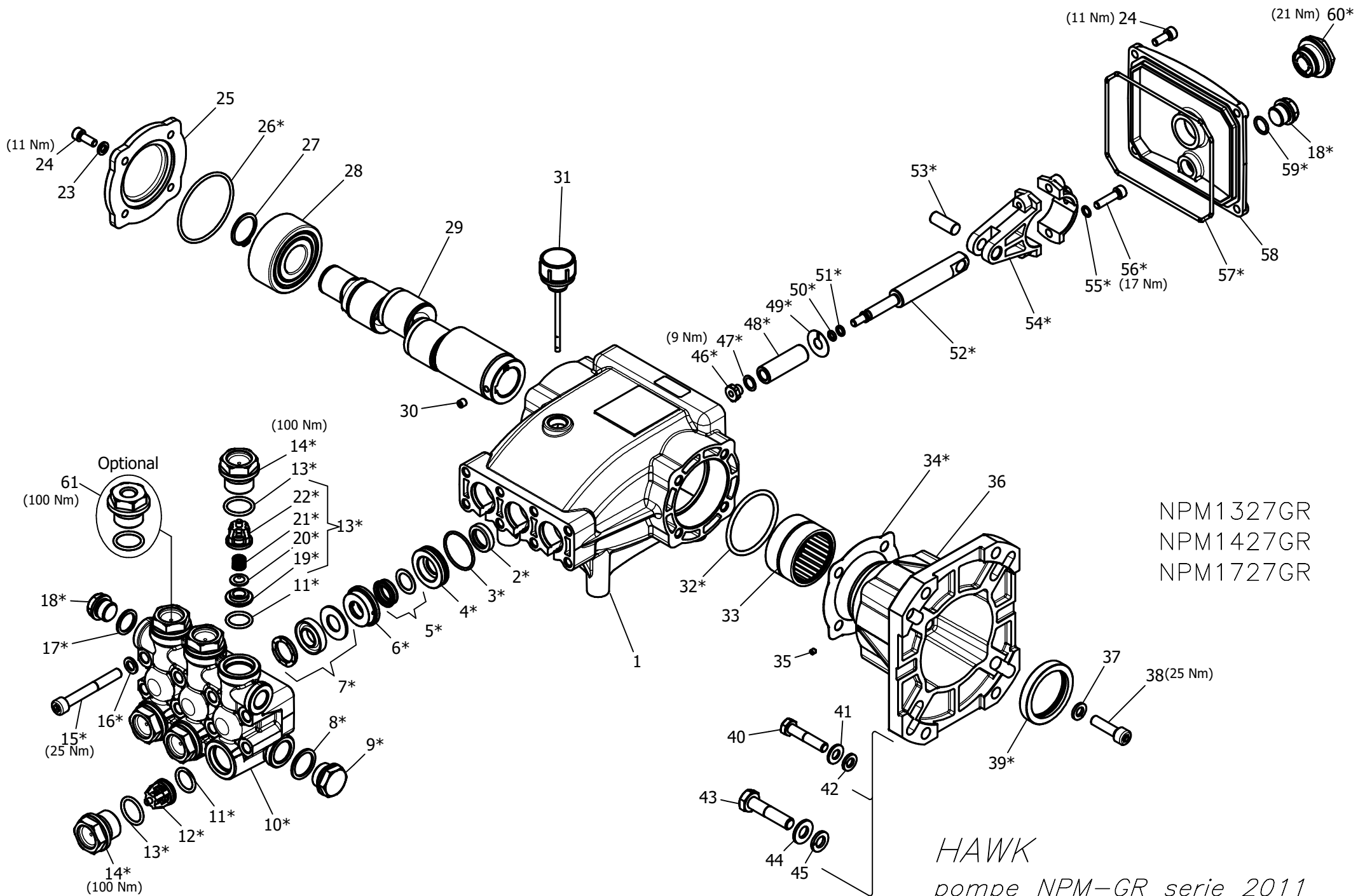
Dimensioni d'ingombro

Overall dimensions (mm)



Lubrificazione: Olio SAE 10W40
Capacità: 0.7 Litri
Peso pompa: 11 kg

Lubrication: SAE 10W40 Oil
Capacity: 0.7 Litres
Weight: 11 kg



NPM1327GR
 NPM1427GR
 NPM1727GR

HAWK
pompe NPM-GR serie 2011
NPM-GR pumps 2011 series

NPM-GR 2011 SERIES

ORDINARY MAINTENANCE KIT / KIT MANUTENZIONE ORDINARIA

KIT	Item Pos.	Part Number Codice	Description	Descrizione	Q.TY by Pump Q.TA per Pompa	NPM1327GR	NPM1427GR	NPM1727GR
A	3- 5- 7	1.099-835.0	PLUNGER SEALS DIA. 15 mm	GUARNIZIONI PISTONE Ø15	1			
B	11- 12- 13 (19- 20- 21 22)	1.905-543.0	COMPLETE VALVE	VALVOLA COMPLETA	1	•	•	•

EXTRAORDINARY MAINTENANCE KIT / KIT MANUTENZIONE STRAORDINARIA

KIT	Item Pos.	Part Number Codice	Description	Descrizione	Q.TY by Pump Q.TA per Pompa	NPM1327GR	NPM1427GR	NPM1727GR
C	3- 4- 5- 6- 7	1.905-653.0	COMPLETE SEALS PACKING DIA. 15 mm	PACCO COMPLETO GUARNIZIONI PISTONE Ø15	1			
D	46- 47- 48 49- 50- 51	1.099-837.0	PLUNGER DIA. 15 mm	PISTONE Ø15	3			
E	2	1.099-751.0	PLUNGER OIL SEALS	ANELLI TENUTA OLIO ASTA	1			
F	18- 26- 32 34- 39- 57 59- 60	1.905-654.0	KIT CRANKCASE SEALS	KIT TENUTE CARTER	1			
G	3- 4- 5- 6- 7 8- 9- 10- 11 12- 13- 14 15- 16- 17 18 (19- 20 21- 22)	1.905-142.0	COMPLETE MANIFOLD	TESTATA COMPLETA	1	•	•	•
H	46- 47- 50 51- 52- 53 54- 55- 56	1.905-544.0	CONNECTING ROD PLUNGER ROD ASSY	PREMONTATO ASTA-BIELLA PISTONE	3			
I	13- 14	1.904-251.0	VALVE PLUG ASSY	PREMONTATO TAPPO VAM	6			

“Q.TY by Pump” => Necessary quantity to repair one pump
 “Q.TA’ per Pompa” => Quantità necessaria per riparare una pompa

OPTIONAL

Item Pos.	Part Number Codice	Description	Descrizione	Q.TY by Pump Q.TÀ per Pompa	NPM1327GR	NPM1427GR	NPM1727GR
51	9.853-426.0	THREADED BRASS PLUG G1/4	PREMONTATO TAPPO FORATO	1	•	•	•

TOOL KIT

Part Number Codice	Description	Descrizione	Q.TY by Pump Q.TÀ per Pompa	NPM1327GR	NPM1427GR	NPM1727GR
1.099-667.0	TOOL-KIT	TOOL-KIT	1	•	•	•
1.904-414.0	OIL SEAL EXTRACTOR TOOL-KIT	TOOL-KIT ESTRAZIONE PARAOLIO	1	•	•	•

IMPORTANT

IMPORTANTE

* *Part available ONLY in kit*
Disponibile SOLO in kit

(...) **Parts pre-assembled**
Parti pre-assemblate

PARTS LIST LISTA PARTI

Item Pos	Part Number Codice	Description	Descrizione	KIT	Q.TY Q.TÀ	NPM1327GR	NPM1427GR	NPM1727GR
1	9.850-376.0	CRANKCASE	CARTER		1			
2*		PLUNGER OIL SEAL	ANELLO RADIALE	E	3			
3*		"O" RING Ø1.78X31.47	"O" RING Ø1.78X31.47	A-C-G	3			
4*		PRESSURE RING 15 MM	PRESSORE "U" Ø15	C-G	3			
5*		LOW PRESSURE "U" SEAL, DIA.15 MM	ANELLO TENUTA "U" Ø15	A-C-G	3			
6*		INTERMED. RING 15 MM	DIFFUSORE INTER. Ø15	C-G	3			
7*		HIGH PRESSURE "U" SEAL, DIA.15 MM	ANELLO TENUTA "U" Ø15	A-C-G	3			
8*		COPPER WASHER G1/2	GUARNIZIONE RAME	G	1			
9*		PLUG G1/2	TAPPO G1/2	G	1			
10*		MANIFOLD HOUSING	TESTATA	G	1			
11*		"O" RING Ø2.62X17.13	"O" RING Ø2.62X17.13	B-G	6			
12*		VALVE ASSEMBLY	VALVOLA PREMONTATA	B-G	6			
13*		"O" RING Ø2.62X20.29	"O" RING Ø2.62X20.29	B-G-I	6			
14*		VALVE PLUG	TAPPO VALVOLA	G-I	6	•	•	•
15*		MANIFOLD STUD BOLT M8X65 GEOMET	VITE M8X65 GEOMET	G	8			
16*		WASHER Ø8,5	ROSETTA Ø8.5	G	16			
17*		COPPER WASHER G3/8	GUARNIZIONE RAME	G	1			
18*		PLUG G3/8	TAPPO G3/8	G-F	2			
19*		VALVE SEAT	SEDE VALVOLA	B-G	6			
20*		VALVE PLATE	PIATTELLO VALVOLA	B-G	6			
21*		VALVE SPRING	MOLLA VALVOLA	B-G	6			
22*		VALVE CAGE	GABBIA VALVOLA	B-G	6			
23	9.851-115.0	WASHER Ø6.4/12.5X1.6	ROSETTA Ø6.4/12.5X1.6		4			
24	9.851-474.0	HEXAGONAL SCREW TCEI M6X16	VITE TCEI M6X16		8			
25	9.850-622.0	CLOSED BEARING FLANGE	FLANGIA CHIUSA		1			
26*		"O" RING Ø2.62X61.6	"O" RING Ø2.62X61.6	F	1			
27	9.851-198.0	SNAP RING	ANELLO Ø25		1			
28	9.850-464.0	DOUBLE ROW BALL BEARING	CUSCINETTO DOPPIA CORONA		1			
29	9.850-156.0	HOLLOW SHAFT	ALBERO CAVO		1	•		
	9.850-157.0	" "	" "		1		•	
	9.850-158.0	" "	" "		1			•
30	9.851-520.0	SET SCREW STEI M6X6	VITE STEI M6X6		1			
31	9.851-286.0	OIL DIP STICK	TAPPO LIVELLO OLIO		1			
32*		"O" RING Ø3.53X55.56	"O" RING Ø3.53X55.56	F	1			
33	9.850-351.0	NEEDLE ROLLER BEARING	CUSCINETTO A RULLINI		1	•	•	•
34	9.850-652.0	ENGINE FLANGE GASKET	GUARNIZIONE FLANGIA MOTORE		1			
35	9.851-521.0	SET SCREW STEI M4X5	VITE STEI M4X5		1			

Item Pos	Part Number Codice	Description	Descrizione	KIT	Q.TY Q.TÀ	NPM1327GR	NPM1427GR	NPM1727GR
36	9.850-621.0	ENGINE FLANGE	FLANGIA MOTORE		1			
37	9.851-157.0	SPRING WASHER Ø8.1/12.7X2	ROSETTA ELASTICA Ø8.1/12.7X2		4			
38	9.851-482.0	FLANGE SCREW TCEI M8X30	VITE TCEI M8X30		4			
39	9.850-008.0	CRANKSHAFT SEAL	ANELLO RADIALE		1			
40	9.851-509.0	ENGINE SCREW 5/16"	VITE 5/16"		4			
41	9.851-131.0	WASHER Ø8.2/20X1.5	ROSETTA Ø8.2/20X1.5		4			
42	9.851-152.0	SPRING WASHER 08	ROSETTA SCHNORR 08		4			
43	9.851-510.0	ENGINE SCREW 3/8"	VITE 3/8"		4			
44	9.851-132.0	WASHER Ø10/18X2	ROSETTA Ø10/18X2		4			
45	9.850-839.0	SPRING WASHER Ø10	ROSETTA ELASTICA Ø10		4			
46*		PLUNGER NUT M6	DADO PISTONE M6	D-H	3			
47*		WASHER Ø9,2/13,5X0,5	ROSETTA Ø9,2/13,5X0,5	D-H	3			
48*		PLUNGER 15MM	PISTONE Ø15	D	3	•	•	•
49*		COPPER SPACER Ø9.3/24X0.5	ROSETTA RAME Ø9.3/24X0.5	D	3			
50*		"O" RING Ø1.78X5.28	"O" RING Ø1.78X5.28	D-H	3			
51*		TEFLON RING	ANELLO ANTIESTRUSIONE	D-H	3			
52*		PLUNGER ROD	ASTA PISTONE	H	3			
53*		CONNECTING ROD PIN	SPINOTTO	H	3			
54*		CONNECTING ROD	BIELLA	H	3			
55*		SPRING WASHER Ø6	ROSETTA ELASTICA Ø6	H	6			
56*		CONNECTING ROD SCREW M6X30	VITE M6X30	H	6			
57*		"O" RING Ø 2.62X126.67	"O" RING Ø 2.62X126.67	F	1			
58	9.850-388.0	CRANKCASE COVER	COPERCHIO POSTERIORE		1			
59		"O" RING Ø1.78X14	"O" RING Ø1.78X14	F	1			
60		SIGHT GLASS, G3/4	SPIA LIVELLO OLIO G3/4	F	1			