

NHDP – 150 BAR

Caratteristiche Tecniche

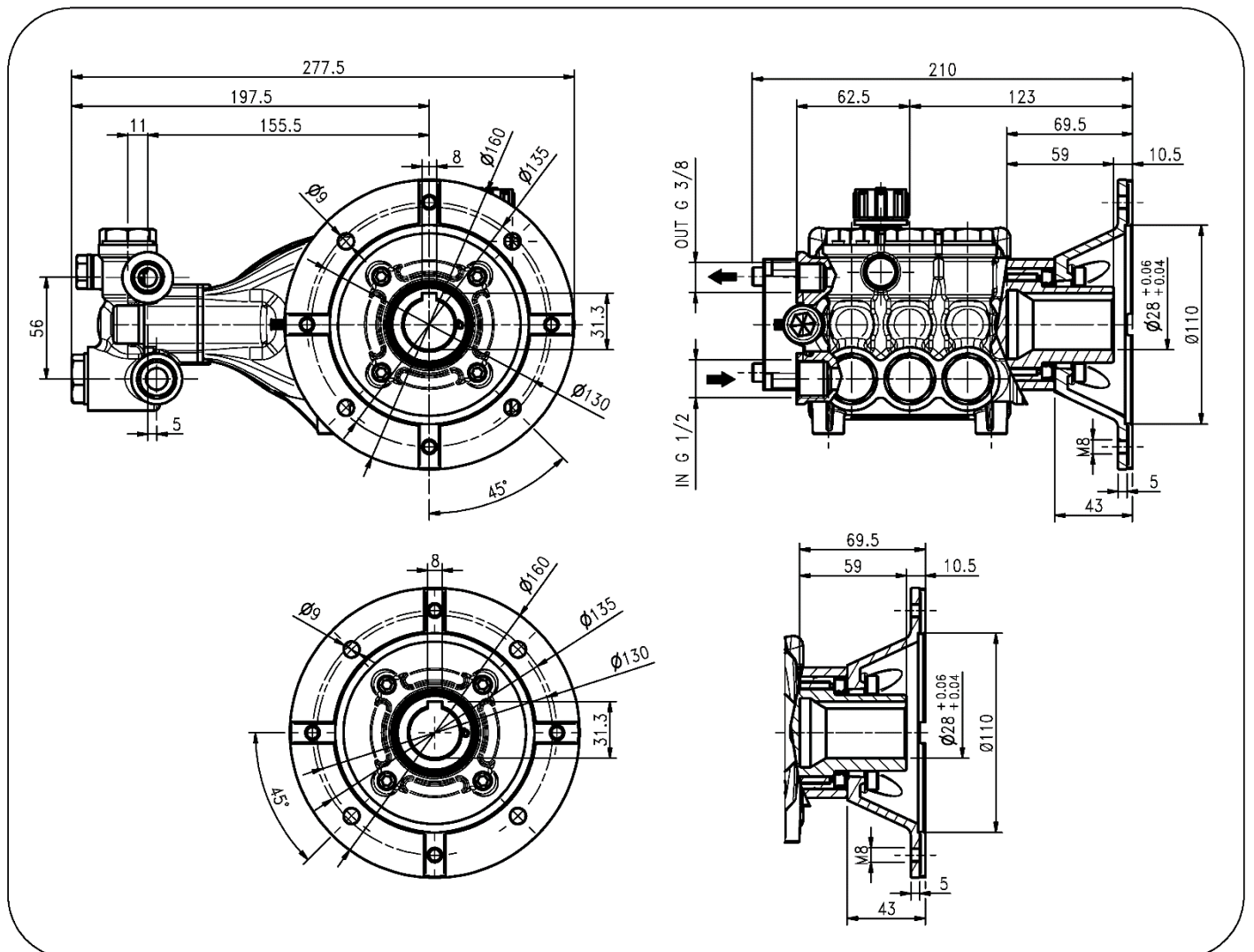
IEC 100 - 112

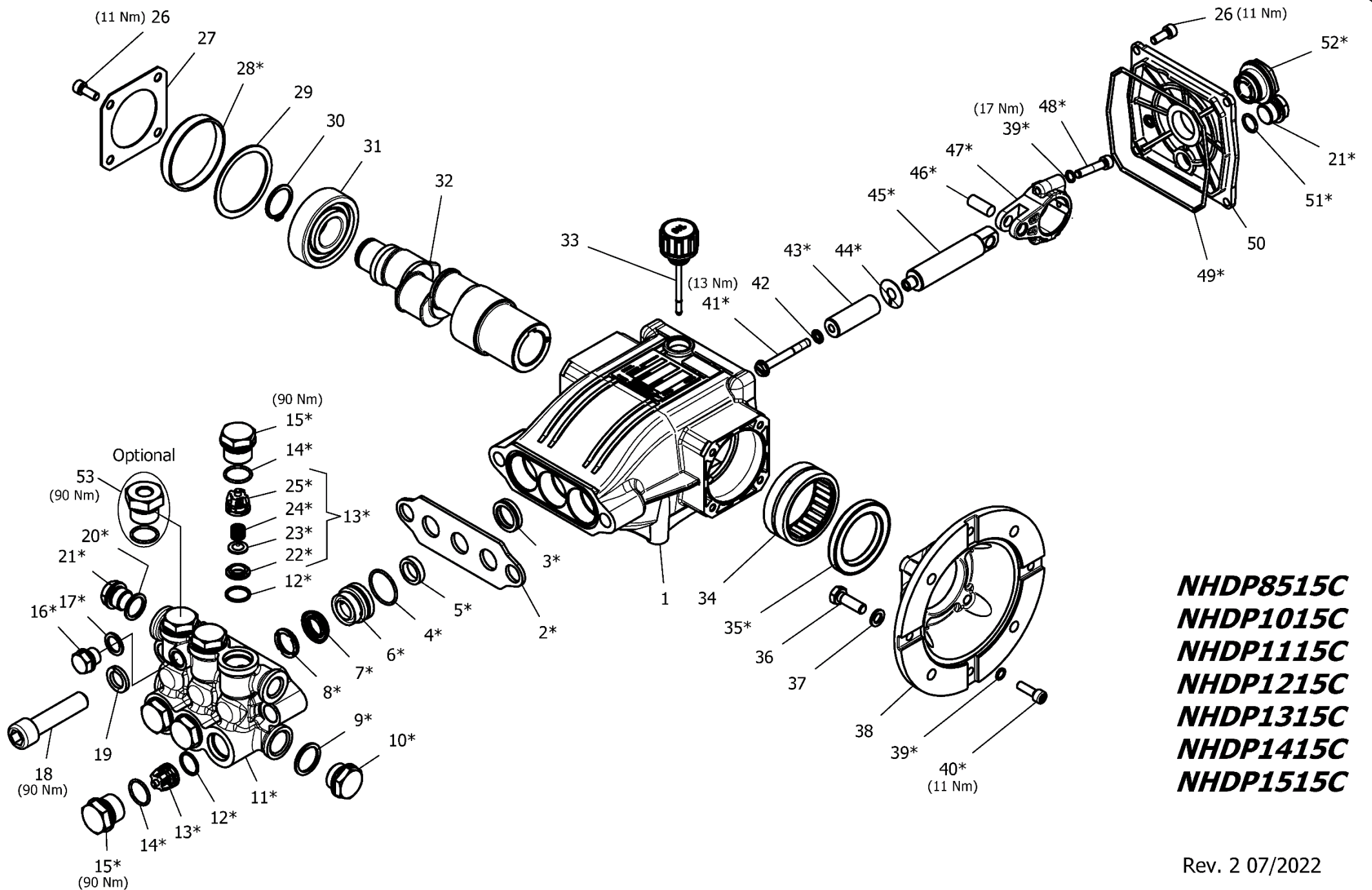
Technical Characteristics

Pump Pompa	Pressure Pressione		Volume Portata				RPM giri/min		Power Potenza			
			l/min		GPM				HP		kW	
	bar	PSI	50 Hz	60 Hz	50 Hz	60 Hz	50 Hz	60 Hz	50 Hz	60 Hz	50 Hz	60 Hz
NHDP8515C	150	2175	8.5	10.1	2.2	2.7	1450	1740	3.2	3.8	2.4	2.9
NHDP1015C	150	2175	10	12	2.6	3.2	1450	1740	3.7	4.7	2.8	3.5
NHDP1115C	150	2175	11	13.2	2.9	3.5	1450	1740	4.3	5.1	3.2	3.8
NHDP1215C	150	2175	12	14	3.1	3.7	1450	1740	4.6	5.4	3.4	4.0
NHDP1315C	150	2175	13	15.5	3.4	4.0	1450	1740	5.0	5.8	3.7	4.3
NHDP1415C	150	2175	14	17	3.7	4.5	1450	1740	5.4	6.4	4.0	4.7
NHDP1515C	150	2175	15	18	4.0	4.7	1450	1740	5.8	7.0	4.3	5.2

Dimensioni d'ingombro

Overall dimensions





NHDP8515C
NHDP1015C
NHDP1115C
NHDP1215C
NHDP1315C
NHDP1415C
NHDP1515C

Rev. 2 07/2022

HAWK
Pompe Serie NHD PLUS 2020
NHD PLUS Pumps 2020 Series

NHDP 2020 SERIES

ORDINARY MAINTENANCE KIT / KIT MANUTENZIONE ORDINARIA

KIT	Item Pos.	Part Number Codice	Description	Descrizione	Q.TY by Pump Q.TA per Pompa	NHDP8515CR/L	NHDP1015CR/L	NHDP1115CR/L	NHDP1215CR/L	NHDP1315CR/L	NHDP1415CR/L	NHDP1515CR/L
A	4- 5- 7 - 8- 18	1.905-762.0	PLUNGER SEALS DIA. 16 mm	GUARNIZIONI PISTONE Ø16	1							
B	12- 13 (22 23- 24- 25) 14	1.905-617.0	COMPLETE VALVE	VALVOLA COMPLETA	1	•	•	•	•	•	•	•

EXTRAORDINARY MAINTENANCE KIT / KIT MANUTENZIONE STRAORDINARIA

KIT	Item Pos.	Part Number Codice	Description	Descrizione	Q.TY by Pump Q.TA per Pompa	NHDP8515CR/L	NHDP1015CR/L	NHDP1115CR/L	NHDP1215CR/L	NHDP1315CR/L	NHDP1415CR/L	NHDP1515CR/L
C	4- 5- 6- 7- 8- 18	1.905-763.0	COMPLETE SEALS PACKING DIA. 16 mm	PACCO COMPLETO GUARNIZIONI PISTONE Ø16	1							
D	41- 42- 43 44	1.099-738.0	PLUNGER DIA. 16 mm	PISTONE Ø16	3							
E	2	1.099-740.0	PLUNGER OIL SEALS	ANELLI TENUTA OLIO ASTA	1							
F	52- 28- 35 49- 51- 53	1.905-622.0	KIT CRANKCASE SEALS	KIT TENUTE CARTER	1							
G	4- 5- 6- 7- 8- 9- 10- 11- 12- 13 (22- 23- 24- 25) 14- 15- 16- 17- 18- 19- 20- 21	1.905-764.0	COMPLETE MANIFOLD	TESTATA COMPLETA	1	•	•	•	•	•	•	•
H	39- 45- 46 47- 48	1.905-742.0	CONNECTING ROD PLUNGER ROD ASSY	PREMONTATO ASTA-BIELLA PISTONE	3							
I	14- 15	1.904-249.0	VALVE PLUG ASSY	PREMONTATO TAPPO VAM	6							

“Q.TY by Pump” => Necessary quantity to repair one pump
 “Q.TA’ per Pompa” => Quantità necessaria per riparare una pompa

OPTIONAL

Item Pos.	Part Number Codice	Description	Descrizione	Q.TY by Pump Q.TA per Pompa	NHDP8515CR/L	NHDP1015CR/L	NHDP1115CR/L	NHDP1215CR/L	NHDP1315CR/L	NHDP1415CR/L	NHDP1515CR/L
53	9.853-424.0	THREADED BRASS PLUG G1/4	PREMONTATO TAPPO FORATO	1	•	•	•	•	•	•	•

TOOL KIT

Part Number Codice	Description	Descrizione	Q.TY by Pump Q.TA per Pompa	NHDP8515CR/L	NHDP1015CR/L	NHDP1115CR/L	NHDP1215CR/L	NHDP1315CR/L	NHDP1415CR/L	NHDP1515CR/L
1.904-744.0	TOOL-KIT	TOOL-KIT	1	•	•	•	•	•	•	•
1.905-591.0	TOOL KIT EXTRAORDINARY	TOOL-KIT STRAORDINARIO	1							

IMPORTANT

IMPORTANTE

* Part available ONLY in kit
Disponibile SOLO in kit

(...) Parts pre-assembled
Parti pre-assemblate

PARTS LIST LISTA PARTI

Item Pos	Part Number Codice	Description	Descrizione	KIT	Q.TY Q.T A	NHDP8515CR/L	NHDP1015CR/L	NHDP1115CR/L	NHDP1215CR/L	NHDP1315CR/L	NHDP1415CR/L	NHDP1515CR/L
1	9.850-369.0	CRANKCASE	CARTER		1							
2	9.853-555.0	SPACER	DISTANZIATORE		1							
3		PLUNGER OIL SEAL	ANELLO RADIALE	E	3							
4		"O" RING Ø1.78X26.7	"O" RING Ø1.78X26.7	A-C-G	3							
5		"U" SEAL, DIA. 16 MM	ANELLO TENUTA "U" Ø16	A-C-G	3							
6		PRESSURE RING DIA. 16 MM	PRESSORE "U" Ø16	C-G	3							
7		"U" SEAL, DIA. 16 MM	ANELLO TENUTA "U" Ø16	A-C-G	3							
8		SUPPORT RING Ø16	DIFFUSORE Ø16	A-C-G	3							
9		COPPER WASHER G1/2	GUARNIZIONE RAME G1/2	G	1							
10		BRASS PLUG G1/2	TAPPO OTTONE G1/2	G	1							
11		MANIFOLD HOUSING	TESTATA	G	1							
12		"O" RING Ø1.78X15.6	"O" RING Ø1.78X15.6	B-G	6							
13		VALVE ASSEMBLY	VALVOLA PREMONTATA	B-G	6							
14		"O" RING Ø1,78X18.77	"O" RING Ø1.78X18.77	B-G-I	6							
15		VALVE PLUG	TAPPO VALVOLA	G-I	6							
16		BRASS PLUG G1/4	TAPPO OTTONE G1/4	G	1	•	•	•	•	•	•	•
17		COPPER WASHER G1/4	GUARNIZIONE RAME G1/4	G	1							
18		MANIFOLD STUD BOLT M14X60	VITE TCEI M14X60	A-C-G	2							
19		LOCK-WASHER	ROSETTA ELASTICA Ø14	G	2							
20		COPPER WASHER G3/8	GUARNIZIONE RAME G 3/8	G	1							
21		BRASS PLUG G 3/8	TAPPO OTTONE G 3/8	F-G	2							
22		VALVE SEAT	SEDE VALVOLA	B-G	6							
23		VALVE PLATE	PIATTELLO VALVOLA	B-G	6							
24		VALVE SPRING	MOLLA VALVOLA	B-G	6							
25		VALVE CAGE	GABBIA VALVOLA	B-G	6							
26	9.851-474.0	SCREW M6X16	VITE TCEI M6X16		8							
27	9.850-379.0	BEARING COVER	COPERCHIO CUSCINETTO		1							
28		BEARING SEAL	CAPPELLOTTO CUSCINETTO	F	1							
29	9.850-554.0	CRANKSHAFT SEAL SPACER	DISTANZIALE PARAOLIO ALBERO		1							
30	9.851-198.0	SNAP RING DIA. 25 MM	ANELLO Ø25		1							
31	9.850-460.0	BALL BEARING	CUSCINETTO A SFERE		1							
32	9.850-233.0	SINGLE-ENDED SHAFT	ALBERO SEMPLICE P.D.F		1	•						
	9.850-234.0	" " "	" " "		1		•					
	9.850-235.0	" " "	" " "		1			•				
	9.850-236.0	" " "	" " "		1				•			
	9.850-237.0	" " "	" " "		1					•		
	9.850-238.0	" " "	" " "		1						•	
9.850-223.0	" " "	" " "		1							•	

Item Pos	Part Number Codice	Description	Descrizione	KIT	Q.TY Q.T À	NHDP8515CR/L	NHDP1015CR/L	NHDP1115CR/L	NHDP1215CR/L	NHDP1315CR/L	NHDP1415CR/L	NHDP1515CR/L
33	9.851-286.0	OIL DIP STICK	TAPPO LIVELLO OLIO		1							
34	9.850-354.0	NEEDLE ROLLER BEARING	CUSCINETTO A RULLINI		1							
35		CRANKSHAFT SEAL	ANELLO RADIALE	F	1							
36	9.851-504.0	HEXAGONAL SCREW M8X25	VITE TE M8X25		4							
37	9.851-114.0	WASHER DIA. 8,5 MM	ROSETTA Ø8,5		4							
38	9.850-632.0	MOTOR FLANGE	FLANGIA MOTORE		1							
39		SPRING WASHER DIA. 6 MM	ROSETTA SCHNORR Ø6	H	10							
40	9.851-491.0	SCREW M6X20	VITE TCEI M6X20		4							
41		PLUNGER BOLT	VITE PISTONE	D	3							
42		BONDED SEAL - Ø6,7X11X1 AISI 304	BONDED SEAL - Ø6,7X11X1 AISI 304	D	3							
43		PLUNGER DIA. 16 MM	PISTONE Ø16	D	3							
44		COPPER SPACER	ROSETTA RAME	D	3							
45		PLUNGER ROD	ASTA PISTONE	H	3							
46		CONNECTING ROD PIN	SPINOTTO	H	3							
47		CONNECTING ROD	BIELLA	H	3							
48		CONNECTING ROD SCREW	VITE M6X30	H	6							
49		"O" RING Ø2.62X111.62	"O" RING Ø2.62X111.62	F	1							
50	9.850-392.0	CRANKCASE COVER	COPERCHIO POSTERIORE		1							
51		"O" RING Ø1.78X14	"O" RING Ø1.78X14	F	1							
52		SIGHT GLASS G3/4	SPIA LIVELLI OLIO G3/4	F	1							