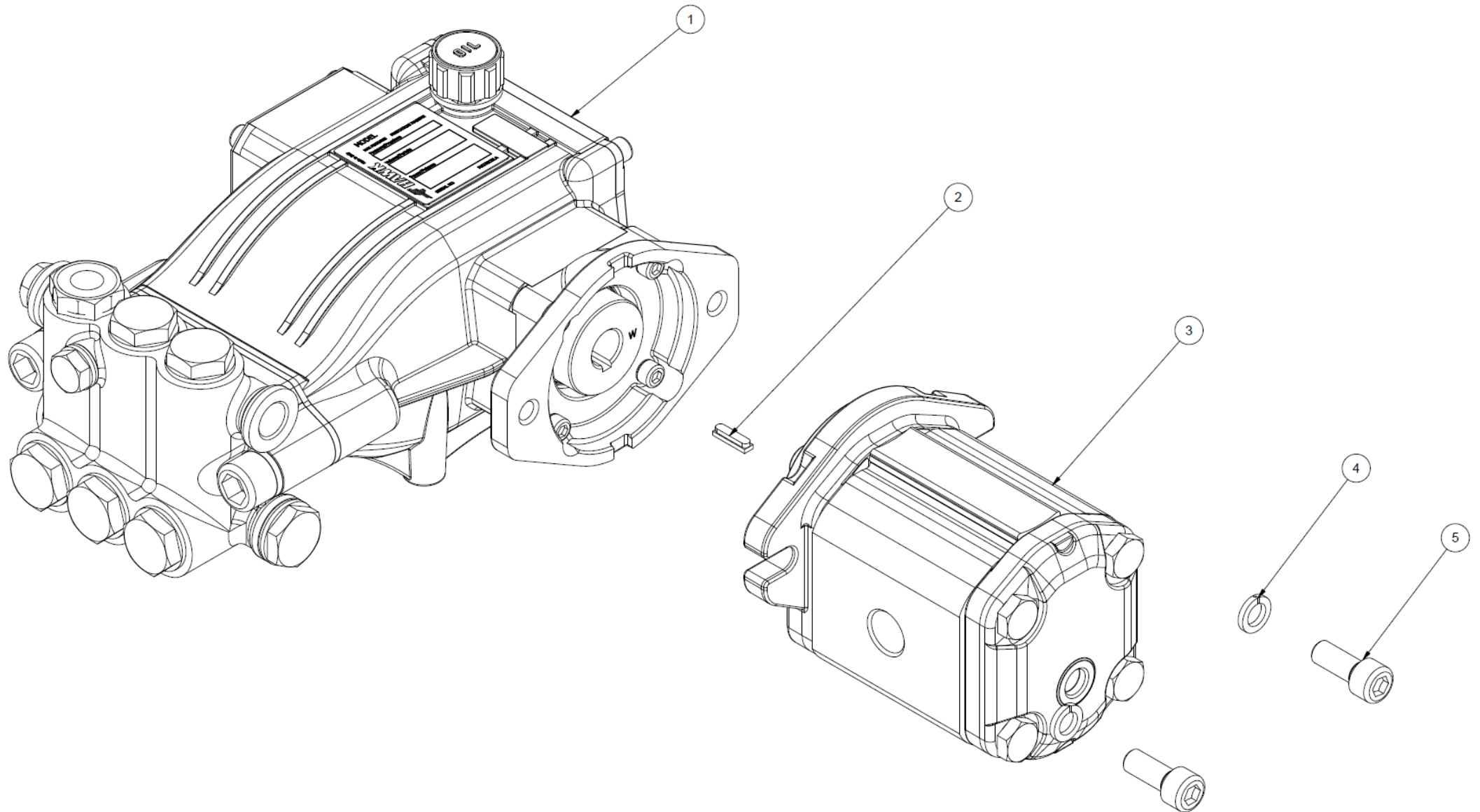


HYDRAULIC MOTORPUMP / MOTOPOMPA IDRAULICA NHDP 1515 HYR – 1.904-723.0

HYDRAULIC MOTORPUMP / MOTOPOMPA IDRAULICA NHDP 1520 HYR – 1.904-722.0



HYDRAULIC MOTORPUMP 1515 HYR – 1.904-723.0 MOTOPOMPA IDRAULICA NHDP 1515 HYR – 1.904-723.0**PART LIST****LISTA PARTI**

<i>Pos.Item</i>	<i>Codice</i> Part Number	Description	<i>Descrizione</i>	Q.tà Q.ty
1	1.904-615.0	Pump NHDP 1515HYR	Pumpa NHDP 1515HYR	1
2	9.850-451.0	Crankshaft stepped key	<i>Chiavetta a gradino</i>	1
3	1.905-828.0	Hydraulic motor ALM2A-R-34-FG-E1	<i>Motore idraulico ALM2A-R-34-FG-E1</i>	1
4	9.851-154.0	Lock washer dia.10mm	<i>Rosetta elastica Ø10,2X16X2,5</i>	2
5	9.851-493.0	Screw M10X25	<i>Vite TCEI M10X25</i>	2

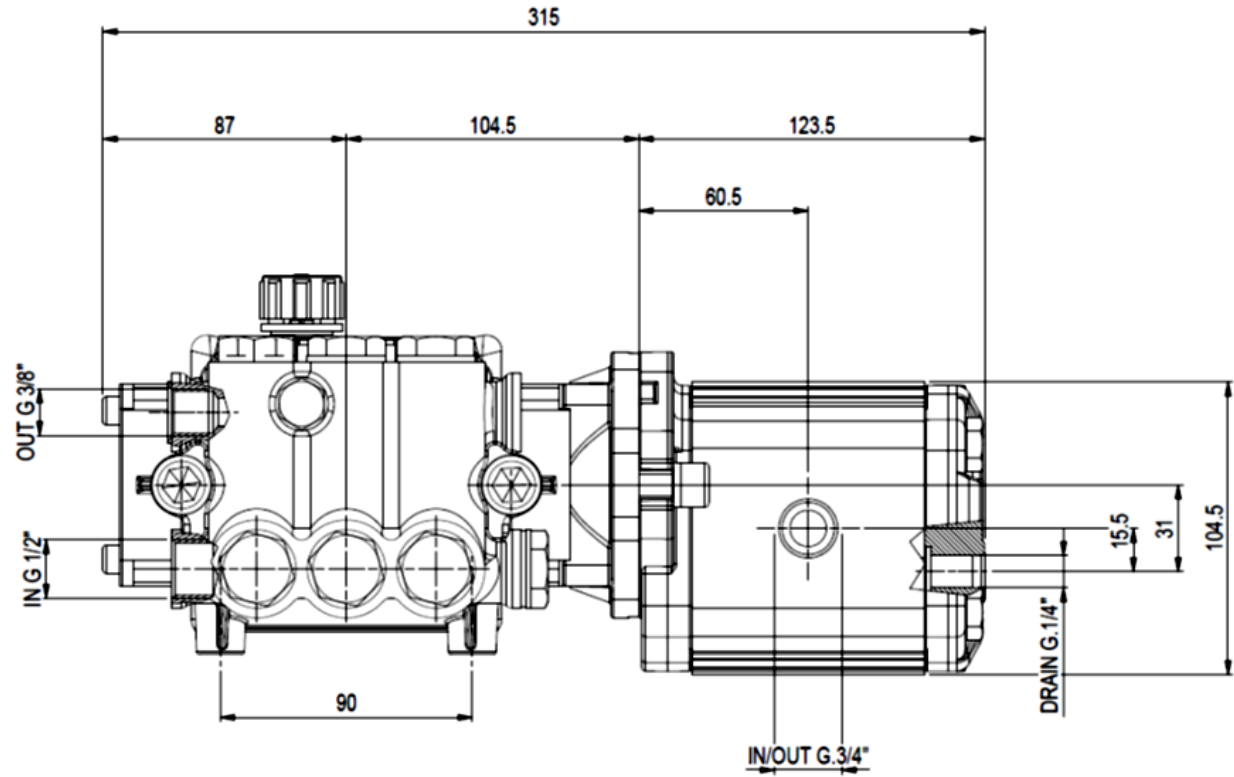
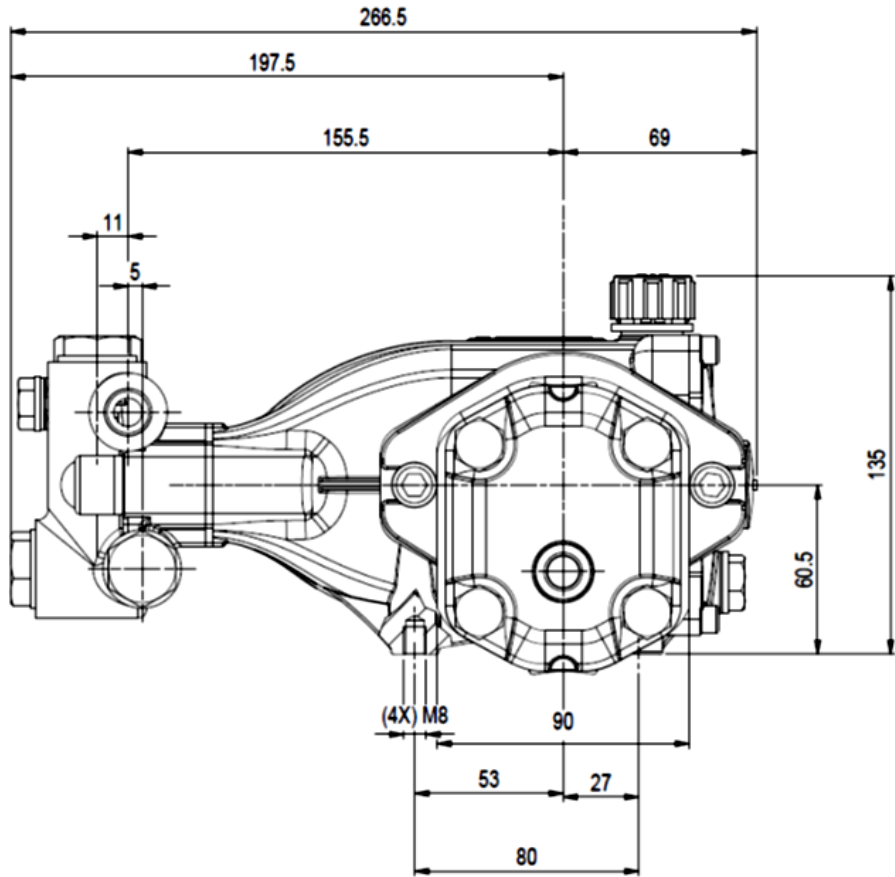
HYDRAULIC MOTORPUMP 1520 HYR – 1.904-722.0 MOTOPOMPA IDRAULICA NHDP 1520 HYR – 1.904-722.0**PART LIST****LISTA PARTI**

<i>Pos.Item</i>	<i>Codice</i> Part Number	Description	<i>Descrizione</i>	Q.tà Q.ty
1	1.904-613.0	Pump NHDP 1520HYR	Pumpa NHDP 1520HYR	1
2	9.850-451.0	Crankshaft stepped key	<i>Chiavetta a gradino</i>	1
3	1.905-828.0	Hydraulic motor ALM2A-R-34-FG-E1	<i>Motore idraulico ALM2A-R-34-FG-E1</i>	1
4	9.851-154.0	Lock washer dia.10mm	<i>Rosetta elastica Ø10,2X16X2,5</i>	2
5	9.851-493.0	Screw M10X25	<i>Vite TCEI M10X25</i>	2

Motor 1.905-828.0 kit**Kit motore 1.905-828.0**

1.905-035.0	SEALS KIT FOR HY MOTOR ALM2A	<i>KIT GUARNIZIONI MOT HY ALM2A</i>
-------------	------------------------------	-------------------------------------

OVERALL DIMENSIONS - DIMENSIONI DI INGOMBRO



TECHNICAL SPECIFICATIONS

SPECIFICHE TECNICHE

MODEL Modello	PART.NO. Codice	PUMP - POMPA						HYDRAULIC MOTOR - MOTORE IDRAULICO						Weight Peso
		Flow Rate Portata		Max Pressure Pressione Massima		RPM Giri/ Minuto	Max Power Potenza massima		Displacement Cilindrata	Oil Flow Rate Portata Oilo		Max Oil Pressure Pressione Massima Oilo		
		l/min	US GPM	Bar	Psi		HP	kW		cm ³ rev	l/min	US GPM	Bar	
NHDP 1515R HY	1.904-723.0	15.0	4.0	150	2200	1450	5.8	4.3	23,7	33	8.7	105	1520	11.8
NHDP 1520R HY	1.904-722.0	15.0	4.0	200	3000		7.7	5.7	23,7	33	8.7	140	2030	