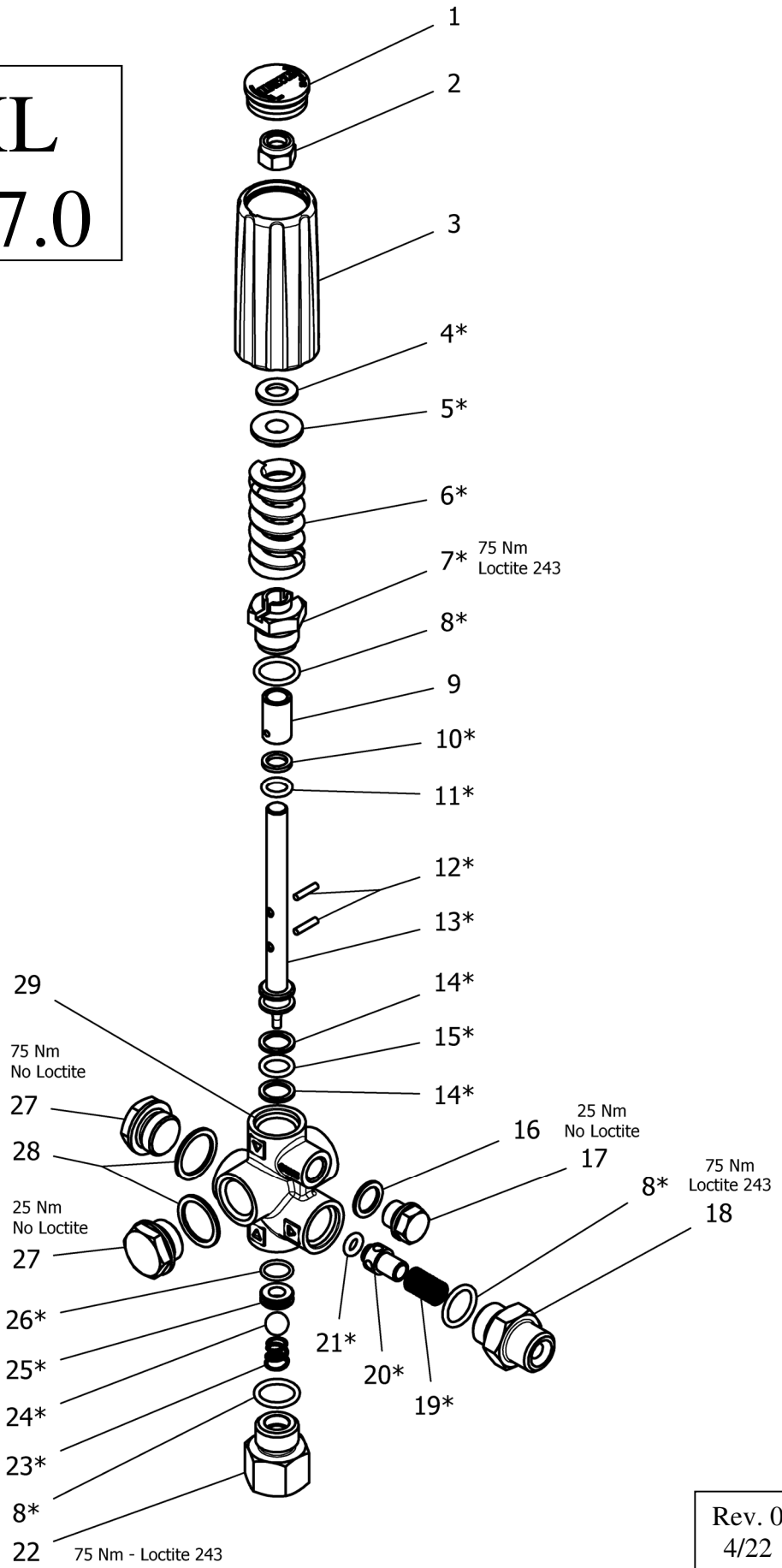


**NVBXL**  
**1.905-037.0**



Rev. 0  
4/22

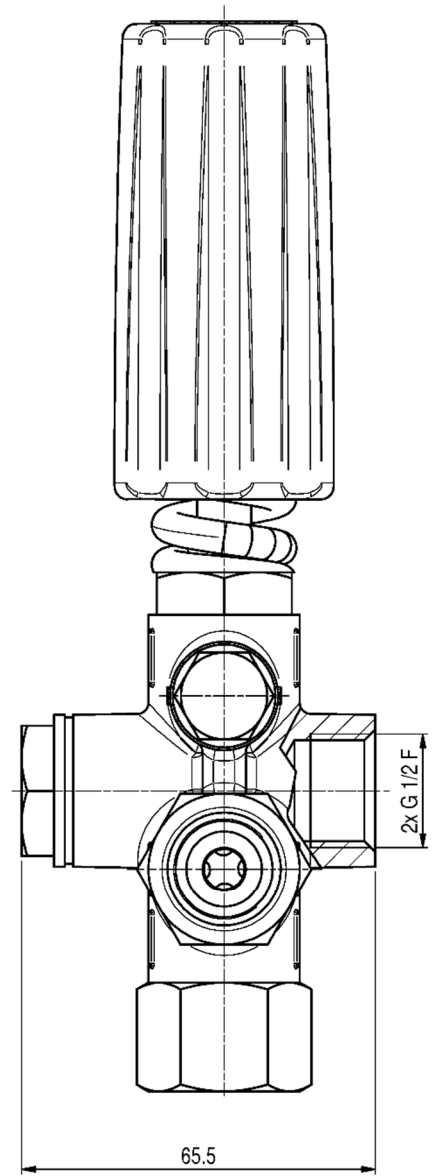
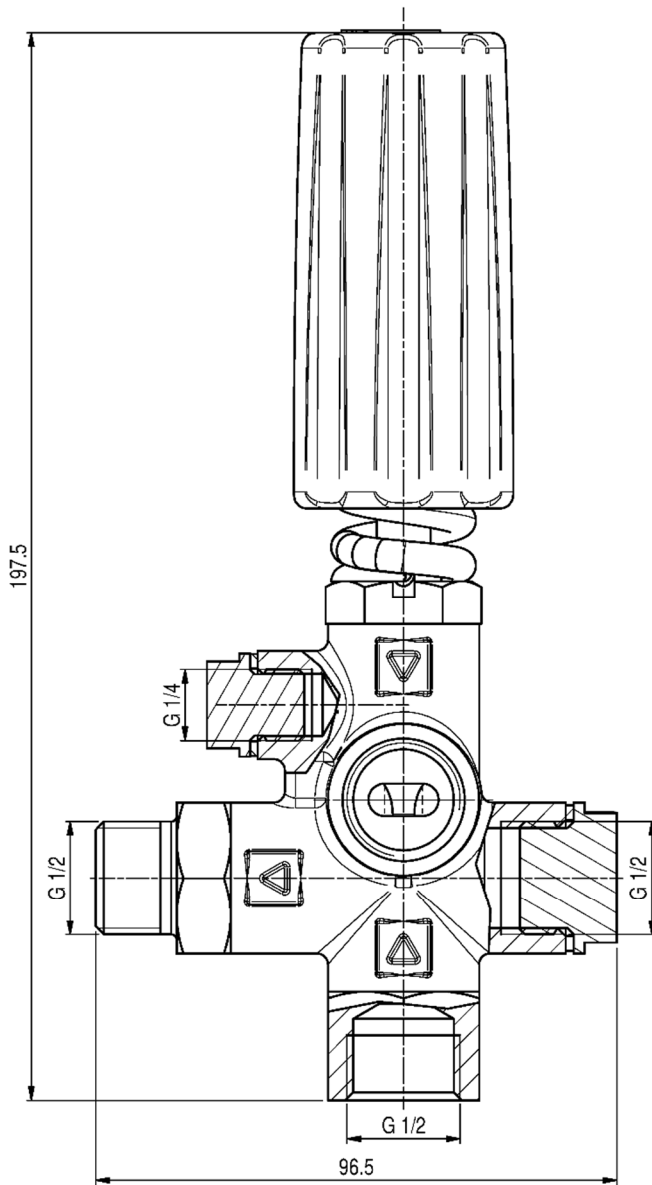
CARATTERISTICHE TECNICHE

TECHNICAL CHARACTERISTICS

| Codice<br>Part No. | Pressione Max<br>Max Pressure |      | Portata<br>Flow rate |      | Temp. Max<br>Max Temp. | Inlet Port<br>Entrata | Outlet Port<br>Uscita | By-pass |
|--------------------|-------------------------------|------|----------------------|------|------------------------|-----------------------|-----------------------|---------|
|                    | bar                           | PSI  | l/min                | GPM  | °C                     |                       |                       |         |
| 1.905-037.0        | 210                           | 3000 | 50                   | 13.2 | 65                     | G 1/2" F              | G 1/2" M              | G1/2" F |

DIMENSIONI D'INGOMBRO

OVERALL DIMENSIONS



Rev. 0  
4/22

SPARE PARTS KIT

KIT RICAMBI

| <i>KIT</i> | <i>ITEM POS.</i>        | <i>CODICE</i> | <i>DESCRIZIONE</i>   | <i>DESCRIPTION</i> |
|------------|-------------------------|---------------|----------------------|--------------------|
| A          | 8- 19- 20- 21           | 1.905-042.0   | KIT RITEGNO          | KIT OUTLET         |
| B          | 8- 23- 24- 25<br>26     | 1.099-965.0   | KIT ENTRATA          | KIT INLET          |
| C          | 8- 10- 11- 12<br>14- 15 | 1.905-038.0   | KIT GUARNIZIONI ASTA | KIT STEM SEALS     |
| D          | 4- 5- 6- 7- 13          | 1.905-039.0   | KIT ASTA             | KIT STEM           |

SPARE PARTS

LISTA RICAMBI

| #   | Q.TA'<br>Q.TY | CODICE      | DESCRIZIONE                   | DESCRIPTION                    | KIT   |
|-----|---------------|-------------|-------------------------------|--------------------------------|-------|
| 1   | 1             | 9.851-289.0 | TAPPO MANOPOLA                | HANDLE CAP                     |       |
| 2   | 1             | 9.850-582.0 | DADO M10 INOX                 | STAINLESS STEEL NUT M10        |       |
| 3   | 1             | 9.850-906.0 | MANOPOLA VALVOLA              | HANDLE                         |       |
| 4*  | 1             |             | ROSETTA ANTIFRIZIONE          | TEFLON WASHER                  | D     |
| 5*  | 1             |             | PIATTELLO MOLLA               | SPRING PLATE                   | D     |
| 6*  | 1             |             | MOLLA                         | SPRING                         | D     |
| 7*  | 1             |             | RACCORDO GUIDA ASTA           | STEM NUT                       | D     |
| 8*  | 3             |             | ANELLO OR Ø2,62x17,13 mm      | O-RING DIA. 2.62x17.13 mm      | A-B-C |
| 9   | 1             | 9.850-867.0 | LIMITATORE                    | SPACER                         |       |
| 10* | 1             |             | ANELLO ANTIESTR. Ø10x14.4x2   | BACK-RING Ø10x14.4x2 mm        | C     |
| 11* | 1             |             | ANELLO OR Ø2,62x9,92 mm 90 Sh | O-RING DIA. 2.62x9.92 mm 90 Sh | C     |
| 12* | 2             |             | SPINA ELASTICA 3x14 mm        | PIN                            | C     |
| 13* | 1             |             | ASTA                          | STEM                           | D     |
| 14* | 2             |             | ANELLO ANTIESTRUSIONE OR 115  | BACK-RING O-RING 115           | C     |
| 15* | 1             |             | ANELLO OR Ø2,62x11,91 mm      | O-RING DIA. 2.62x11.91 mm      | C     |
| 16  | 1             | 9.850-749.0 | ROSETTA RAME G 1/4            | COPPER WASHER G 1/4            |       |
| 17  | 1             | 9.851-305.0 | TAPPO OTTONE G 1/4            | BRASS PLUG G 1/4               |       |
| 18  | 1             | 9.853-978.0 | RACCORDO DI USCITA            | OUTLET CONNECTOR               |       |
| 19* | 1             |             | MOLLA OTTURATORE              | POPPET SPRING                  | A     |
| 20* | 1             |             | OTTURATORE                    | POPPET                         | A     |
| 21* | 1             |             | ANELLO OR Ø3x6 mm             | O-RING DIA. 3x6 mm             | A     |
| 22  | 1             | 9.853-979.0 | RACCORDO DI ENTRATA           | INLET CONNECTOR                |       |
| 23* | 1             |             | MOLLA CONICA                  | BALL SPRING                    | B     |
| 24* | 1             |             | SFERA Ø 7/16"                 | BALL DIA. 7/16"                | B     |
| 25* | 1             |             | SEDE VALVOLA                  | VALVE SEAT                     | B     |
| 26* | 1             |             | ANELLO OR 1,78x12,42 mm       | O-RING DIA. 1.78x12.42 mm      | B     |
| 27  | 2             | 9.851-304.0 | TAPPO OTTONE G 1/2            | BRASS PLUG G 1/2               |       |
| 28  | 2             | 9.850-748.0 | ROSETTA RAME G 1/2            | COPPER WASHER G 1/2            |       |
| 29  | 1             | 9.853-981.0 | CORPO VALVOLA                 | VALVE BODY                     |       |

**IMPORTANT**

**IMPORTANTE**

\* **Part available ONLY in kit**  
**Disponibile SOLO in kit**