

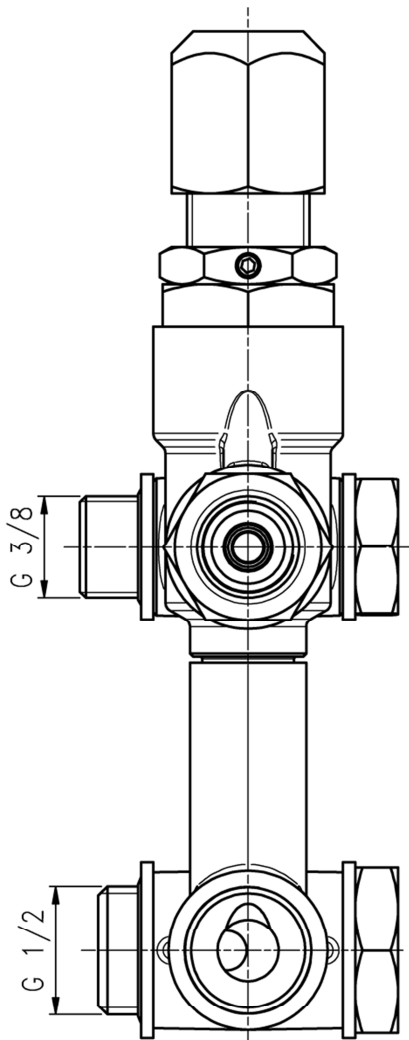
VBT

1.904-412.0
1.099-486.0
210 BAR
NMT

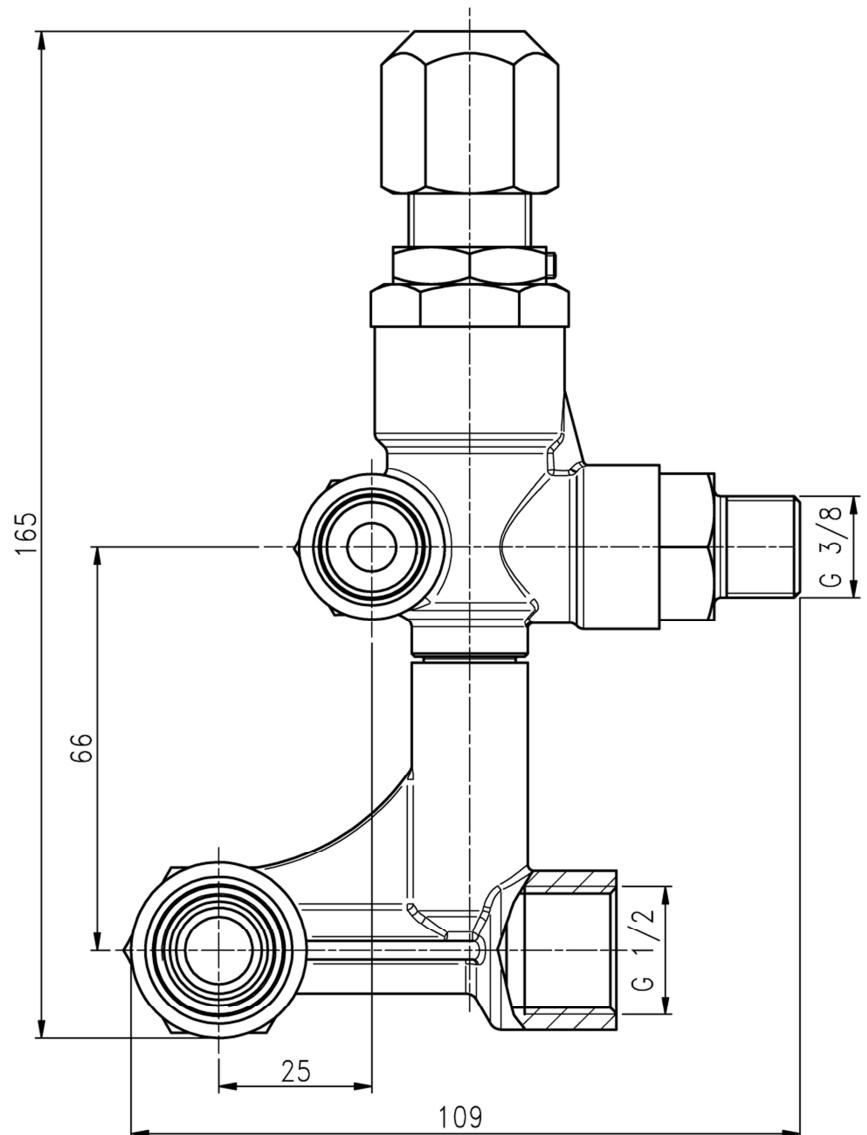
1.099-871.0
1.099-487.0
275 BAR
NPM

Codice Part No.	Pressione Max Max Pressure		Portata Flow rate		Temp. Max Max Temp.	Inlet Port Entrata	Outlet Port Uscita	For pump series Per pompe serie
	bar	PSI	l/min	GPM	°C			
1.904-412.0	210	3000	25	6.6	65	G1/2" F	G3/8" M	NMT
1.099-871.0	275	4000	25	6.6	65	G1/2" F	G3/8" M	NPM
1.099-486.0	210	3000	25	6.6	65	G1/2" F	G3/8" M	NMT
1.099-487.0	275	4000	25	6.6	65	G1/2" F	G3/8" M	NPM

DIMENSIONI D'INGOMBRO



OVERALL DIMENSIONS



SPARE PARTS KIT

KIT RICAMBI

Codice Code	Descrizione/Description		Q.tà Q.ty	1.904-412.0	1.099-871.0	1.099-486.0	1.099-487.0
	#	Componente / Parts					
1.099-960.0		Kit completo O-ring / Kit repair O-rign	1	*	*	*	*
	2	9.850-270.0	1	*	*	*	*
	3	9.850-709.0	2	*	*	*	*
	5	9.850-705.0	1	*	*	*	*
	6	9.850-271.0	1	*	*	*	*
	8	9.850-668.0	1	*	*	*	*
	11	9.850-691.0	1	*	*	*	*
	15	9.850-720.0	1	*	*	*	*
	20	9.850-673.0	1	*	*	*	*
23	9.850-722.0	1	*	*	*	*	
1.099-961.0		Kit Uscita / Kit Outlet	1	*	*	*	*
	20	9.850-673.0	1	*	*	*	*
	21	9.850-873.0	1	*	*	*	*
	22	9.850-957.0	1	*	*	*	*
	23	9.850-722.0	1	*	*	*	*
1.099-943.0		Kit Asta / Kit repair Stem	1	*		*	
	1	9.851-088.0	1	*		*	
	9	1.099-729.0	1	*		*	
	10	9.851-224.0	1	*		*	
	11	9.850-691.0	1	*		*	
	24	9.851-064.0	1	*		*	
25	9.850-880.0	1	*		*		
1.099-958.0		Kit Asta / Kit repair Stem	1		*		*
	1	9.851-088.0	1		*		*
	9	1.099-730.0	1		*		*
	10	9.851-224.0	1		*		*
	11	9.850-691.0	1		*		*
	24	9.851-067.0	1		*		*
25	9.850-886.0	1		*		*	

SPARE PARTS

LISTA RICAMBI

#	Q.TA' Q.TY	CODICE PART NO.	DESCRIZIONE	DESCRIPTION	1.904-412.0	1.099-871.0	1.099-486.0	1.099-487.0
1	1	9.851-088.0	ASTA	STEM	*	*	*	*
2	1	9.850-270.0	ANELLO ANTIESTRUSIONE	BACK RING	*	*	*	*
3	2	9.850-709.0	O-RING Ø2,62x6,02	O-RING Ø2,62x6,02	*	*	*	*
4	1	9.851-169.0	RACCORDO GUIDA ASTA	STEM CONNECTOR	*		*	
	1	9.851-177.0	“ “	“ “		*		*
5	1	9.850-705.0	O-RING Ø2,62x20,24	O-RING Ø2,62x20,24	*	*	*	*
6	1	9.850-271.0	ANELLO ANTIESTRUSIONE	BACK RING	*	*	*	*
7	1	9.850-322.0	BUSSOLA	GUIDE BUSHING	*	*	*	*
8	1	9.850-668.0	O-RING Ø1,78x14	O-RING Ø1,78x14	*	*	*	*
9	1	1.099-729.0	PREMONTATO SFERA	BALL SUB-ASSY	*		*	
	1	1.099-730.0	“ “	“ “		*		*
10	1	9.851-224.0	SEDE	SEAT	*	*	*	*
11	1	9.850-691.0	O-RING Ø1,78x12,42	O-RING Ø1,78x12,42	*	*	*	*
12	1	9.850-430.0	CORPO VALVOLA	VALVE BODY	*	*	*	*
13	1	9.851-188.0	RONDELLA TENUTA 3/8	SEAL WASHER 3/8	*	*	*	*
14	1	9.851-446.0	VITE CAVA 3/8	HOLLOW BOLT 3/8			*	*
	1	9.851-461.0	VITE CAVA OTTONE 3/8	BRASS HOLLOW BOLT 3/8	*	*		
15	1	9.850-720.0	O-RING Ø2,62x10,78	O-RING Ø2,62x10,78	*	*	*	*
16	1	9.851-449.0	VITE CAVA 1/2	HOLLOW BOLT 1/2			*	*
	1	9.851-462.0	VITE CAVA OTTONE 1/2	BRASS HOLLOW BOLT 1/2	*	*		
17	1	9.851-189.0	RONDELLA TENUTA 1/2	SEAL WASHER 1/2	*	*	*	*
18	1	9.850-457.0	COLLETTORE BY-PASS	BY-PASS MANIFOLD	*	*	*	*
19	1	9.851-170.0	RACCORDO USCITA	OUTLET CONNECTOR	*	*	*	*
20	1	9.850-673.0	O-RING Ø2,62x17,13	O-RING Ø2,62x17,13	*	*	*	*
21	1	9.850-873.0	MOLLA OTTURATORE	POPPET SPRING	*	*	*	*
22	1	9.850-957.0	OTTURATORE	POPPET	*	*	*	*
23	1	9.850-722.0	O-RING Ø3x6	O-RING Ø3x6	*	*	*	*
24	1	9.851-064.0	PIATTELLO	PLATE	*		*	
	1	9.851-067.0	“	“		*		*
25	1	9.850-880.0	MOLLA	SPRING	*		*	
	1	9.850-886.0	“	“		*		*
26	1	9.851-522.0	VITE STEI M4x4	SET SCREW	*	*	*	*
27	1	9.850-562.0	DADO	NUT	*	*	*	*
28	1	9.850-899.0	MANOPOLA	HANDLE	*		*	
	1	9.850-905.0	“	“		*		*
29	1	9.850-900.0	MANOPOLA PLASTICA (OPTIONAL)	PLASTIC HANDLE (OPTIONAL)	*	*	*	*