

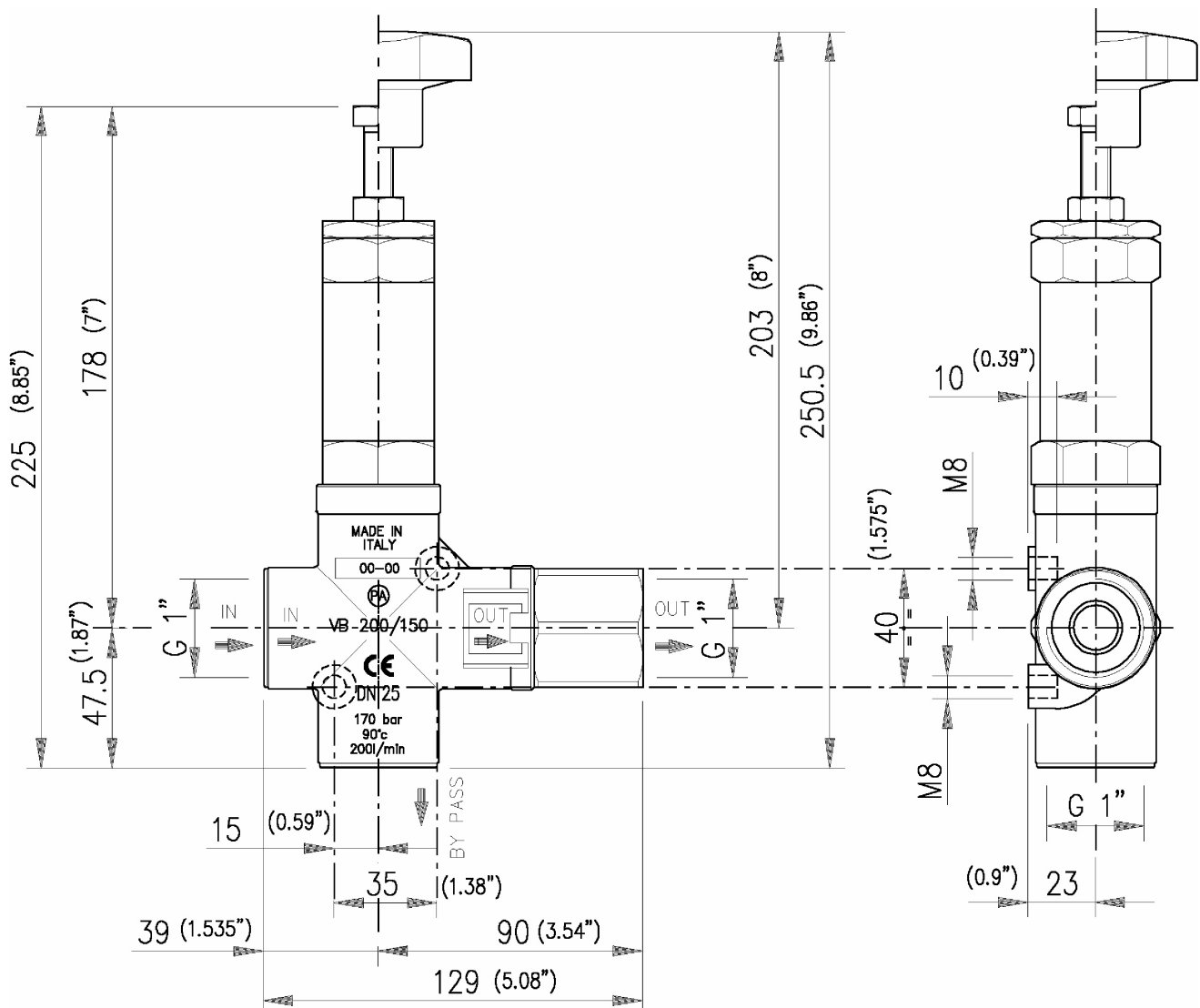
CARATTERISTICHE TECNICHE

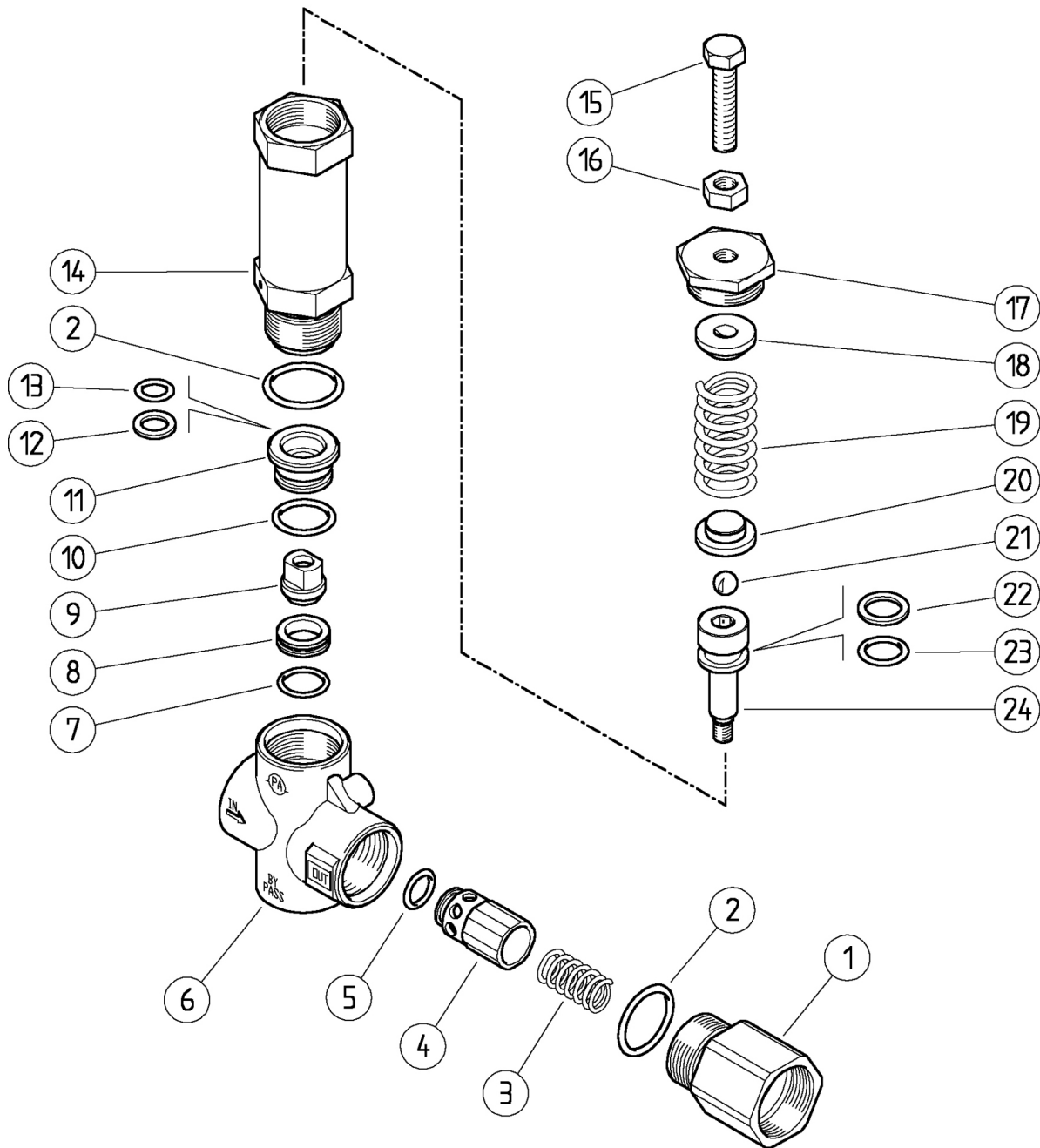
TECHNICAL CHARACTERISTICS

Codice Part No.	Pressione Max Max Pressure		Portata Flow rate		Temp. Max Max Temp.	Inlet Port Entrata	Outlet Port Uscita	By-pass
	bar	PSI	l/min	GPM	°C			
1.099-502.0	150	2200	200	52.8	65	G1" F	G1" F	G1" F

DIMENSIONI D'INGOMBRO

OVERALL DIMENSIONS





SPARE PARTS KIT

KIT RICAMBIO

CODICE <i>CODE</i>	POS.	Q.TA' <i>Q.TY</i>
1.099-980.0	2	2
	5	1
	7	1
	8	1
	9	1
	10	1
	12	1
	13	1
	22	1
	23	1