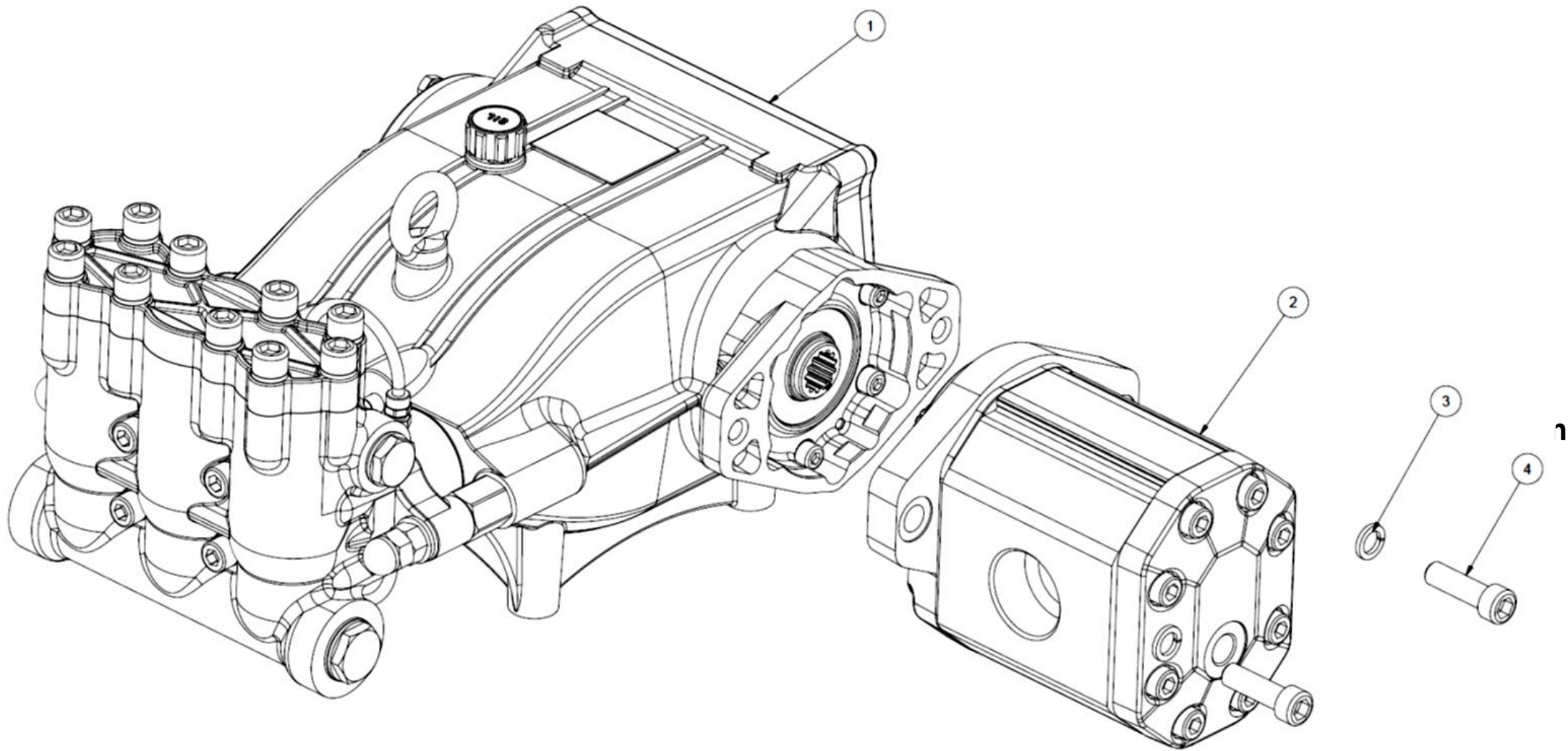
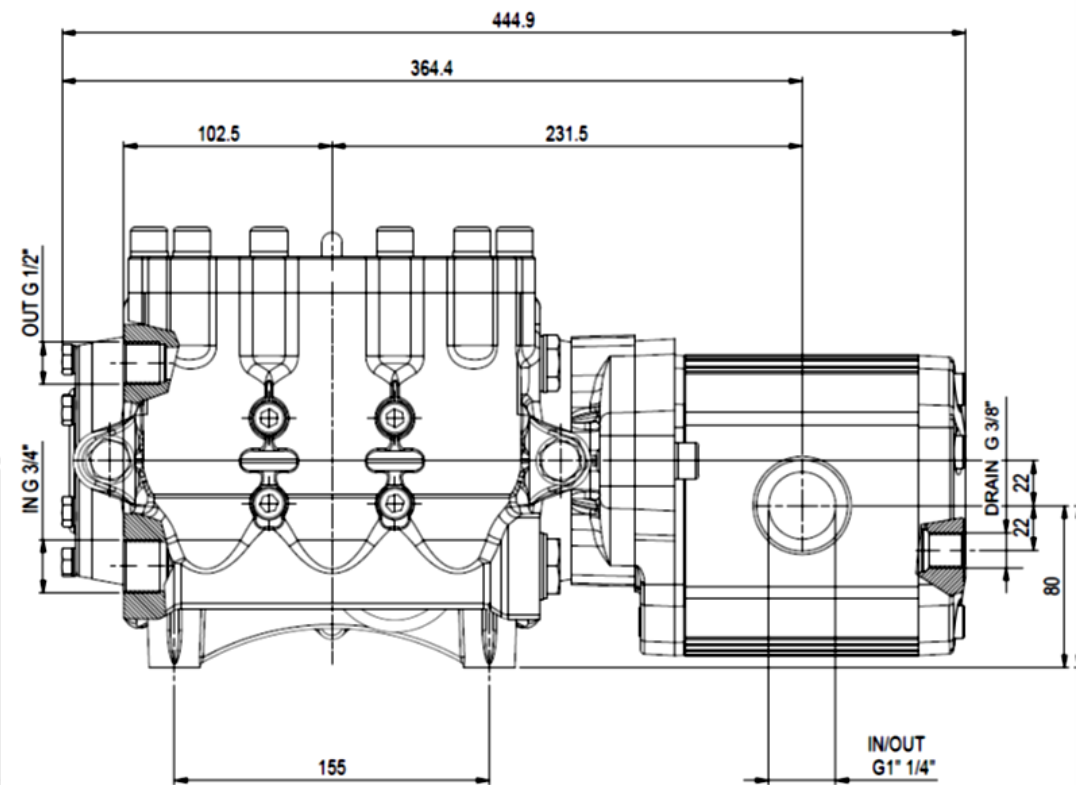
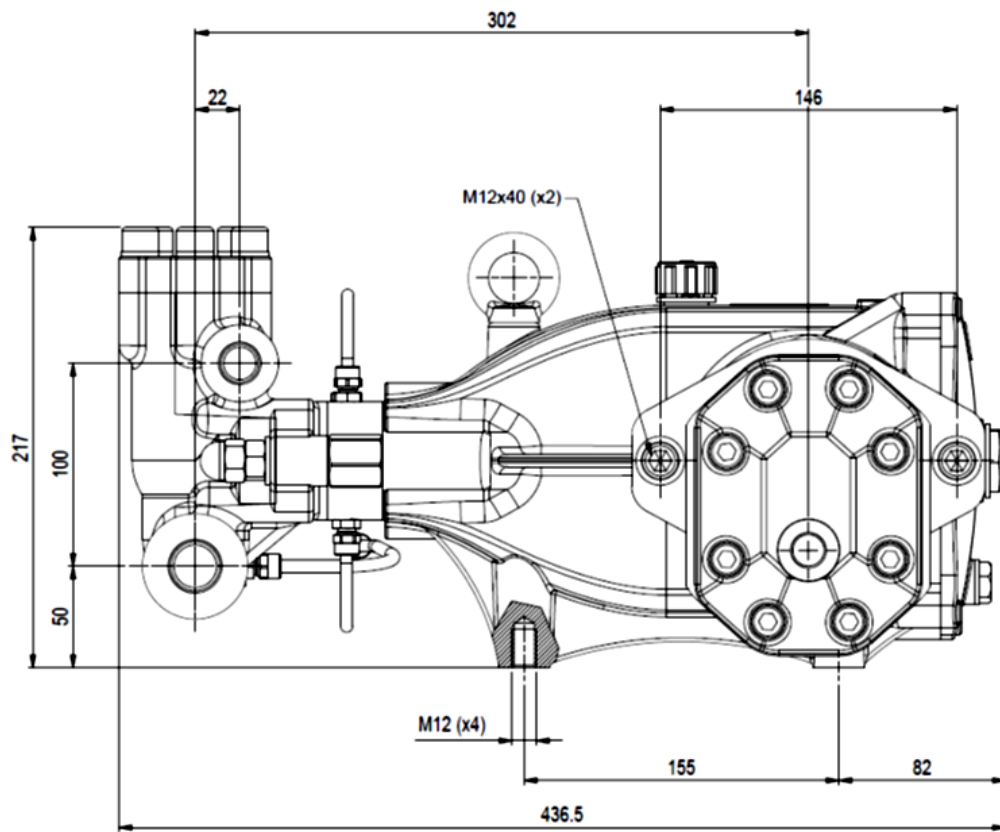


MPX HYDRAULIC MOTORPUMP WITH GEAR MOTOR

MOTOPOMPA IDRAULICA MPX CON MOTORE A INGRANAGGI



OVERALL DIMENSIONS - DIMENSIONI DI INGOMBRO



PART LIST

LISTA PARTI

Pos.Item	Codice Part Number	Descrizione	Description	Q.tà Q.ty
	1.904-897.0	POMPA MPX 45L 350BAR 1450RPM HY DX + MOT.GHM3A-110	PUMP MPX 45L 350BAR 1450RPM HY DX + MOT.GHM3A-110	
1	1.904-784.0	Pompa MPX 45L 350BAR 1450 RPM HY DX	Pump MPX 45L 350BAR 1450RPM HY RIGHT	1
2	9.853-811.0	Motore idraulico GHM3A-110	Hydraulic motor GHM3A-110	1
3	9.851-159.0	Rosetta elastica M12 DIN7980	Washer M12 DIN7980	2
4	9.853-065.0	Vite TCEI M12x40 UNI5931 12.9	Screw M12x40 UNI5931 12.9	2
	1.904-898.0	POMPA MPX 58L 250BAR 1450RPM HY DX + MOT GHM3A-110	PUMP MPX 58L 250BAR 1450RPM HY DX + MOT GHM3A-110	
1	1.904-785.0	Pompa MPX 58L 250BAR 1450RPM HY DX	Pump MPX 58L 250BAR 1450RPM HY RIGHT	1
2	9.853-811.0	Motore idraulico GHM3A-110	Hydraulic motor GHM3A-110	1
3	9.851-159.0	Rosetta elastica M12 DIN7980	Washer M12 DIN7980	2
4	9.853-065.0	Vite TCEI M12x40 UNI5931 12.9	Screw M12x40 UNI5931 12.9	2

TECHNICAL SPECIFICATIONS

SPECIFICHE TECNICHE

MODEL Modello	PART.NO. Codice	PUMP - POMPA							HYDRAULIC MOTOR - MOTORE IDRAULICO					Weight Peso
		Flow Rate Portata		Max Pressure Pressione Massima		RPM Giri/ Minuto	Max Power Potenza massima		Displacement Cilindrata	Oil Flow Rate Portata Oilo		Max Oil Pressure Pressione Massima Oilo		
		l/min	US GPM	Bar	Psi		HP	kW		cm ³ rev	l/min	US GPM	Bar	
MPX HY 45L 350BAR	1.904-897.0	45.0	11.9	350	5075	1450	40.5	29.8	71.0	97.6	25.8	185	2683	44.7
MPX HY 58L 250BAR	1.904-898.0	58.0	15.4	250	3625		37.2	27.4	71.0	97.6	25.8	170	2468	