

## NPM Nickel

Caratteristiche Tecniche

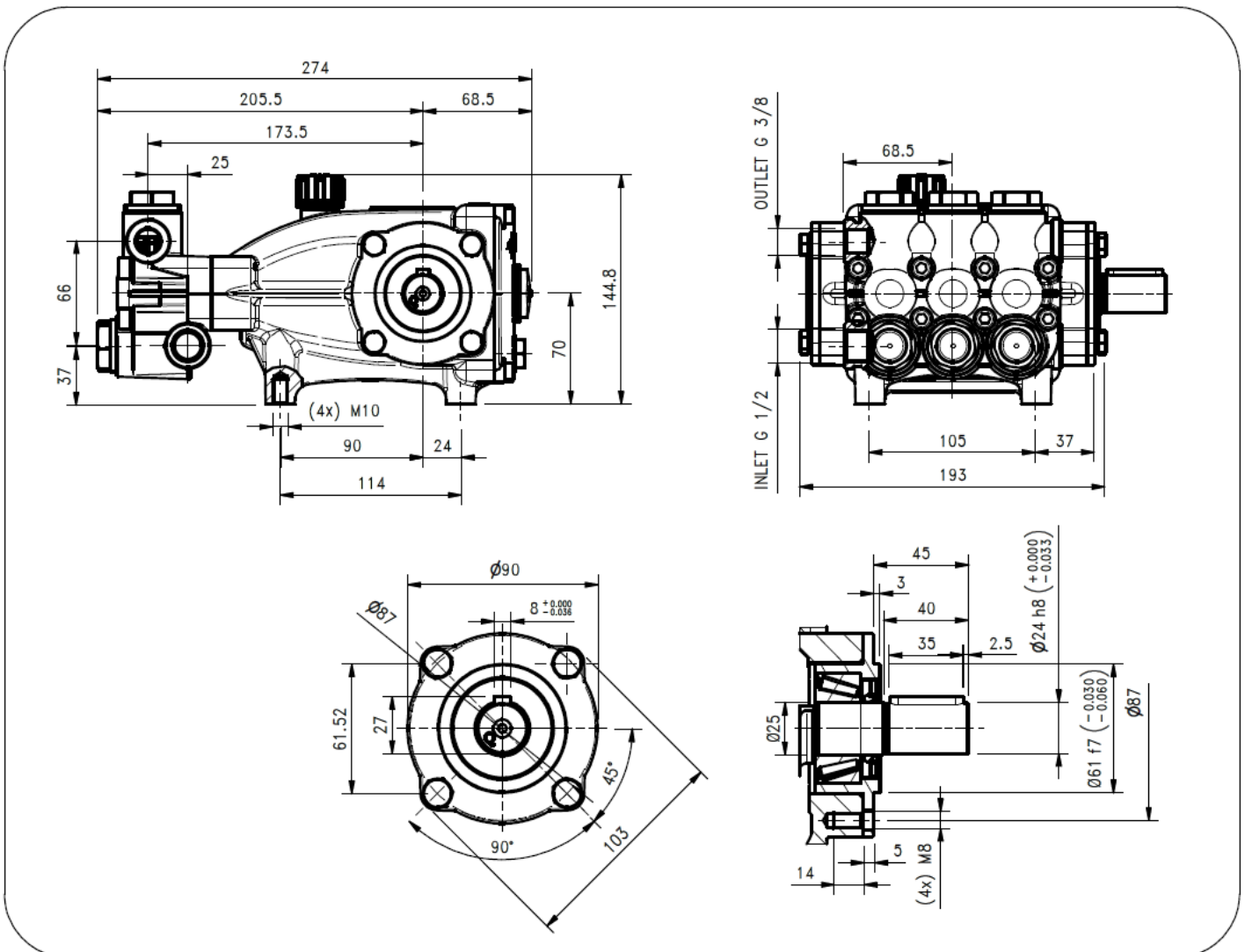
Albero maschio – Solid shaft

Technical Characteristics

Pump Pompa	Pressure Pressione		Volume Portata				RPM giri/min		Power Potenza			
			l/min		GPM				HP		kW	
	bar	PSI	50 Hz	60 Hz	50 Hz	60 Hz	50 Hz	60 Hz	50 Hz	60 Hz	50 Hz	60 Hz
NPM1225_N	250	3625	12	14.4	3.2	3.8	1450	1740	7.7	9.2	5.6	6.7
NPM1525_N	250	3625	15	18	4.0	4.7	1450	1740	9.6	11.5	7.1	8.5
NPM1825_N	250	3625	18	21.6	4.7	5.6	1450	1740	11.5	13.8	8.3	10.0

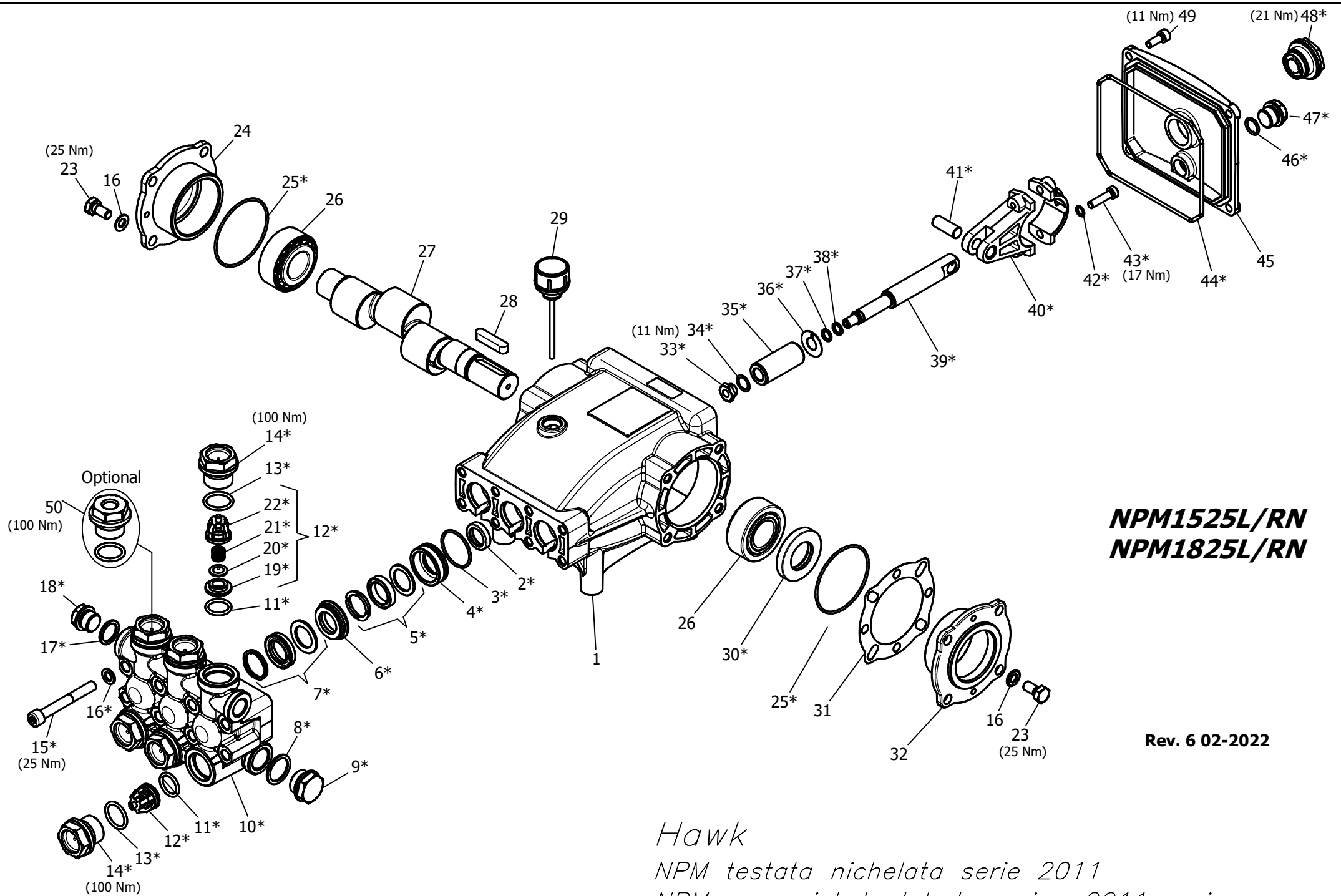
Dimensioni d'ingombro

Overall dimensions



Lubrificazione: Olio SAE 10W40  
Capacità: 0.7 Litri  
Peso pompa: 10.3kg

Lubrication: SAE 10W40 Oil  
Capacity: 0.7 Litres  
Weight: 10.3 kg



**NPM1525L/RN  
NPM1825L/RN**

**Rev. 6 02-2022**

*Hawk  
NPM testata nichelata serie 2011  
NPM pump nickel plated version 2011 series*

## NPM NICKEL 2013 SERIES

### ORDINARY MAINTENANCE KIT / KIT MANUTENZIONE ORDINARIA

KIT	Item Pos.	Part Number Codice	Description	Descrizione	Q.TY by Pump Q.TA per Pompa	NPM1525R/LN	NPM1825R/LN
A	3- 5- 7	1.099-754.0	PLUNGER SEALS DIA. 18 mm	GUARNIZIONI PISTONE Ø18	1		
B	11- 12- 13 (19- 20- 21 22)	1.905-543.0	COMPLETE VALVE	VALVOLA COMPLETA	1	•	•

### EXTRAORDINARY MAINTENANCE KIT / KIT MANUTENZIONE STRAORDINARIA

KIT	Item Pos.	Part Number Codice	Description	Descrizione	Q.TY by Pump Q.TA per Pompa	NPM1525R/LN	NPM1825R/LN
C	3- 4- 5- 6- 7	1.905-652.0	COMPLETE SEALS PACKING DIA. 18 mm	PACCO COMPLETO GUARNIZIONI PISTONE Ø18	1		
D	33- 34- 35 36- 37- 38	1.099-756.0	PLUNGER DIA. 18 mm	PISTONE Ø18	3		
E	2	1.099-751.0	PLUNGER OIL SEALS	ANELLI TENUTA OLIO ASTA	1		
F	25- 30- 44 46- 47- 48	1.905-542.0	KIT CRANKCASE SEALS	KIT TENUTE CARTER	1		
G	3- 4- 5- 6- 7 8- 9- 10- 11 12- 13- 14 15- 16- 17 18 (19- 20 21- 22)	1.099-758.0	COMPLETE MANIFOLD	TESTATA COMPLETA	1	•	•
H	33- 34- 37 38- 39- 40 41- 42- 43	1.905-544.0	CONNECTING ROD PLUNGER ROD ASSY	PREMONTATO ASTA-BIELLA PISTONE	3		
I	13- 14	1.904-133.0	VALVE PLUG ASSY	PREMONTATO TAPPO VAM	6		

“Q.TY by Pump” => Necessary quantity to repair one pump  
 “Q.TA’ per Pompa” => Quantità necessaria per riparare una pompa

### OPTIONAL

Item Pos.	Part Number Codice	Description	Descrizione	Q.TY by Pump Q.TA per Pompa	NPM1525R/LN	NPM1825R/LN
50	9.853-426.0	THREADED BRASS PLUG G1/4	PREMONTATO TAPPO FORATO	1	•	•

### TOOL KIT

Part Number Codice	Description	Descrizione	Q.TY by Pump Q.TA per Pompa	NPM1525R/LN	NPM1825R/LN
1.099-667.0	TOOL-KIT	TOOL-KIT	1	•	•
1.904-414.0	OIL SEAL EXTRACTOR TOOL-KIT	TOOL-KIT ESTRAZIONE PARAOLIO	1	•	•

### IMPORTANT

### IMPORTANTE

\* **Part available ONLY in kit**  
**Disponibile SOLO in kit**

(...) **Parts pre-assembled**  
**Parti pre-assemblate**

## PARTS LIST LISTA PARTI

Item Pos	Part Number Codice	Description	Descrizione	KIT	Q.TY Q.TA	NPM1525R/LN	NPM1825R/LN
1	9.850-375.0	CRANKCASE	CARTER		1		
2*		PLUNGER OIL SEAL	ANELLO RADIALE	E	3		
3*		"O" RING Ø1.78X31.47	"O" RING Ø1.78X31.47	A-C-G	3		
4*		PRESSURE RING 18 MM	PRESSORE "U" Ø18	C-G	3		
5*		LOW PRESSURE "U" SEAL, DIA. 18 MM	ANELLO TENUTA "U" Ø18	A-C-G	3		
6*		INTERMED. RING 18 MM	DIFFUSORE INTER. Ø18	C-G	3		
7*		HIGH PRESSURE "U" SEAL, DIA. 18 MM	ANELLO TENUTA "U" Ø18	A-C-G	3		
8*		COPPER WASHER G1/2	GUARNIZIONE RAME	G	1		
9*		NICKEL PLATED PLUG G1/2	TAPPO NICHELATO G1/2	G	1		
10*		NICKEL PLATED MANIFOLD HOUSING	TESTATA NICHELATA	G	1		
11*		"O" RING Ø2.62X17.13	"O" RING Ø2.62X17.13	B-G	6		
12*		VALVE ASSEMBLY	VALVOLA PREMONTATA	B-G	6		
13*		"O" RING Ø2.62X20.29	"O" RING Ø2.62X20.29	B-G-I	6		
14*		NICKEL PLATED VALVE PLUG	TAPPO VALVOLA NICHELATO	G-I	6		
15*		MANIFOLD STUD BOLT M8X65 GEOMET	VITE M8X65 GEOMET	G	8		
16*		WASHER Ø8,5	ROSETTA Ø8.5	G	16		
17*		COPPER WASHER G3/8	GUARNIZIONE RAME	G	1		
18*		NICKEL PLATED PLUG G3/8	TAPPO G3/8 NICHELATO	G-F	2		
19*		VALVE SEAT	SEDE VALVOLA	B-G	6		
20*		VALVE PLATE	PIATTELLO VALVOLA	B-G	6		
21*		VALVE SPRING	MOLLA VALVOLA	B-G	6		
22*		VALVE CAGE	GABBIA VALVOLA	B-G	6		
23	9.851-501.0	HEXAGONAL SCREW M8X18	VITE M8X18		8		
24	9.850-626.0	CLOSED BEARING HOUSING	FLANGIA CHIUSA		1		
25*		"O" RING Ø1.78X60.05	"O" RING Ø1.78X60.05	F	2		
26	9.850-349.0	ROLLER BEARING 33205	CUSCINETTO A RULLI 33205		2		
27	9.850-176.0	SINGLE - ENDED SHAFT	ALBERO SEMPLICE P.D.F.		1		
	9.850-180.0	" " "	" " "		1		
28	9.850-446.0	CRANKSHAFT KEY	CHIAVETTA		1		
29	9.851-286.0	OIL DIP STICK	TAPPO LIVELLO OLIO		1		
30*		CRANKSHAFT SEAL	ANELLO RADIALE	F	1		
31	9.850-547.0	SHIM	DISTANZIALE		1		
32	9.850-625.0	BEARING HOUSING	FLANGIA		1		
33*		PLUNGER NUT	DADO PISTONE	D-H	3		
34*		COPPER SPACER Ø 11.2/15X0.5	ROSETTA RAME Ø 1.2/15X0.5	D-H	3		
35*		PLUNGER 18 MM	PISTONE Ø18	D	3		
36*		COPPER SPACER Ø 11.3/24X0.5	ROSETTA RAME Ø 1.3/24X0.5	D	3		
37*		"O" RING Ø1.78X7.66	"O" RING Ø1.78X7.66	D-H	3		

Item Pos	Part Number Codice	Description	Descrizione	KIT	Q.TY Q.TÀ	NPM1525R/LN	NPM1825R/LN
38*		TEFLON RING	ANELLO ANTIESTRUSIONE	D-H	3		
39*		PLUNGER ROD	ASTA PISTONE	H	3		
40*		CONNECTING ROD	BIELLA	H	3		
41*		CONNECTING ROD PIN	SPINOTTO	H	3		
42*		SPRING WASHER Ø6	ROSETTA ELASTICA Ø6	H	6		
43*		CONNECTING ROD SCREW M6X30	VITE M6X30	H	6		
44*		"O" RING Ø 2.62X126.67	"O" RING Ø 2.62X126.67	F	1	•	•
45	9.850-388.0	CRANKCASE COVER	COPERCHIO POSTERIORE		1		
46*		"O" RING Ø1.78X14	"O" RING Ø1.78X14	F	1		
47*		BRASS PLUG G 3/8	TAPPO G 3/8	F	1		
48*		SIGHT GLASS, G3/4	SPIA LIVELLO OLIO G3/4	F	1		
49	9.851-474.0	SCREW M6X16	VITE M6X16		4		