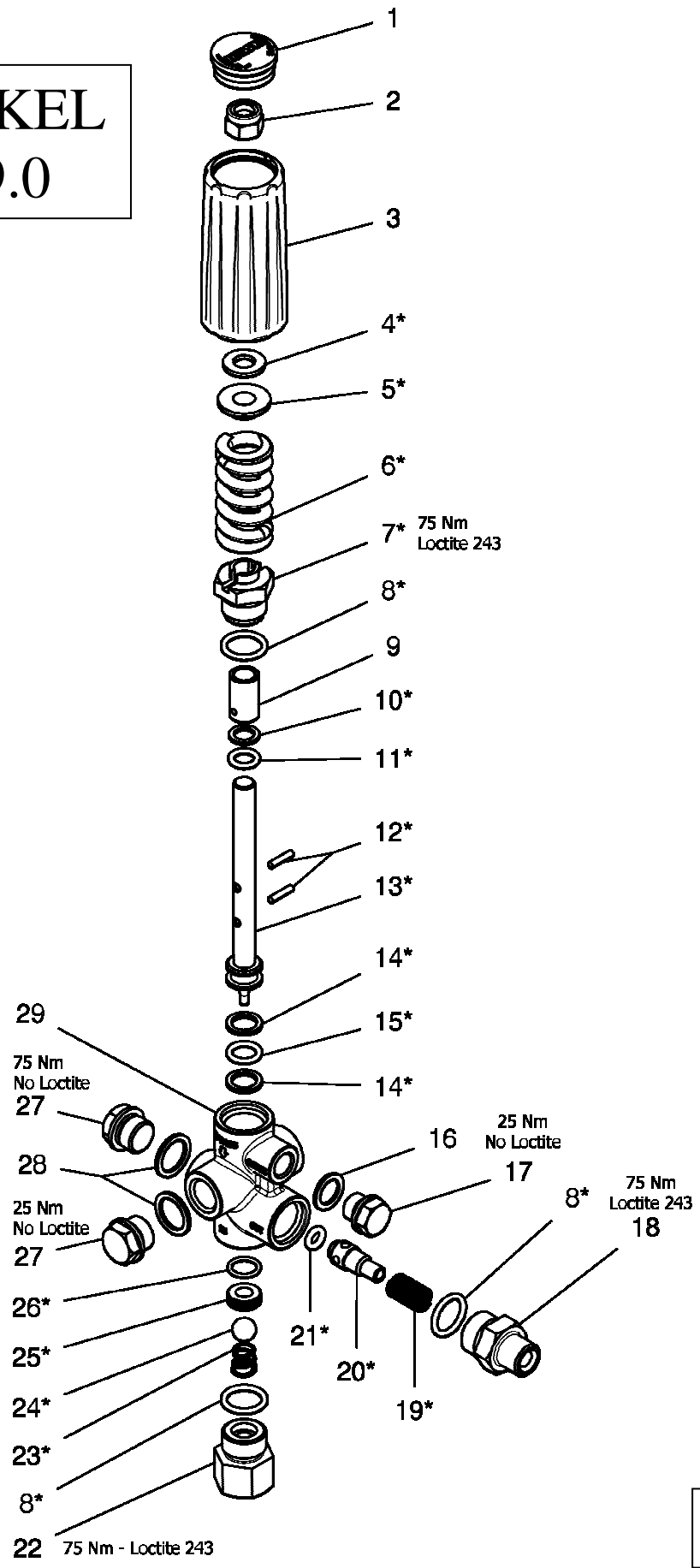


**NVBR NICKEL**  
**1.905-059.0**



Rev. 0  
10/22

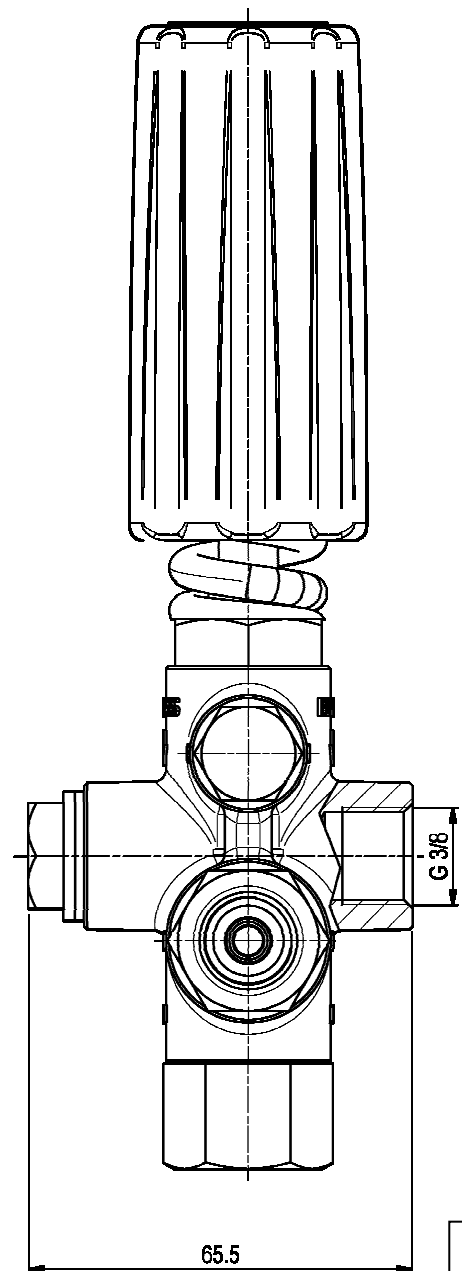
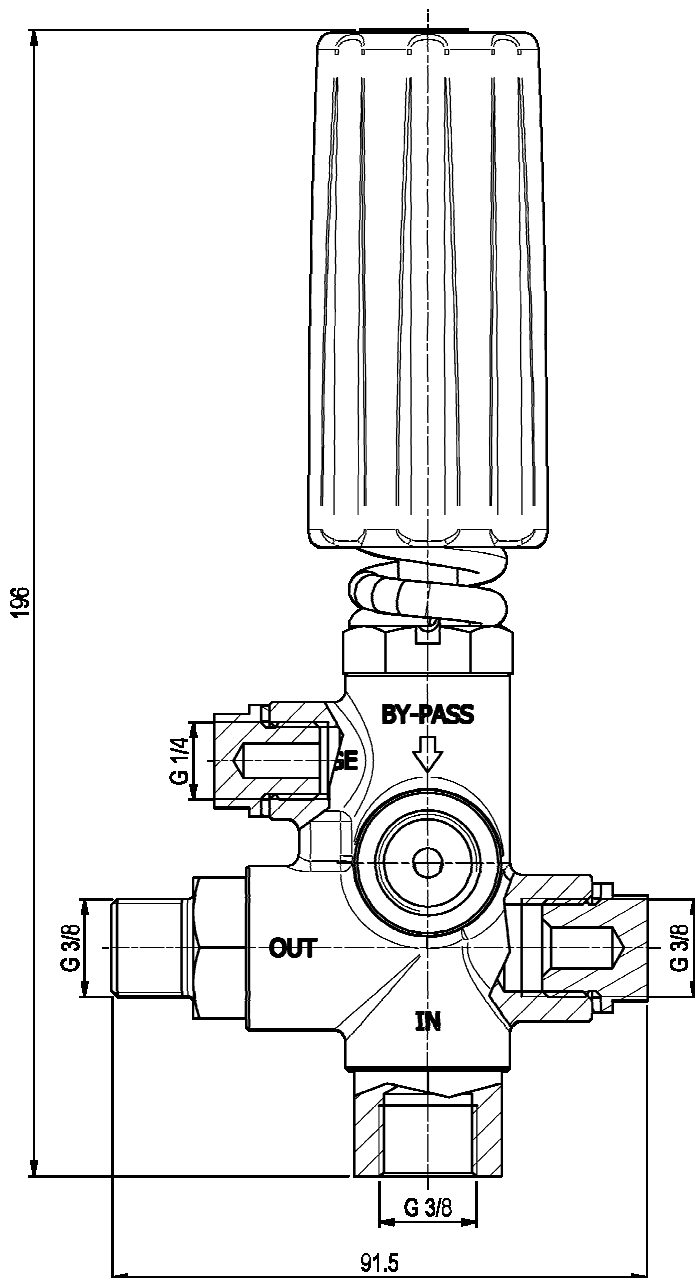
CARATTERISTICHE TECNICHE

TECHNICAL CHARACTERISTICS

Codice Part No.	Pressione Max Max Pressure		Portata Flow rate		Temp. Max Max Temp.		Inlet Port Entrata	Outlet Port Uscita	By-pass
	bar	PSI	l/min	GPM	°C	°F			
1.905-059.0	210	3000	25	6.6	65	150	G 3/8" F	G 3/8" M	G3/8" F

DIMENSIONI D'INGOMBRO

OVERALL DIMENSIONS



Rev. 0  
10/22

SPARE PARTS KIT

KIT RICAMBI

<i>KIT</i>	<i>ITEM POS.</i>	<i>CODICE</i>	<i>DESCRIZIONE</i>	<i>DESCRIPTION</i>
A	8- 19- 20- 21	1.099-961.0	KIT RITEGNO	KIT OUTLET
B	8- 23- 24- 25- 26	1.099-965.0	KIT ENTRATA	KIT INLET
C	8- 10- 11- 12- 14- 15	1.904-489.0	KIT GUARNIZIONI ASTA	KIT STEM SEALS
D	4- 5- 6- 7- 13	1.905-073.0	KIT ASTA	KIT STEM

SPARE PARTS

LISTA RICAMBI

#	Q.TA' Q.TY	CODICE	DESCRIZIONE	DESCRIPTION	KIT
1	1	9.851-289.0	TAPPO MANOPOLA	HANDLE CAP	
2	1	9.850-582.0	DADO M10 INOX	STAINLESS STEEL NUT M10	
3	1	9.850-906.0	MANOPOLA VALVOLA	HANDLE	
4*	1		ROSETTA ANTIFRIZIONE	TEFLON WASHER	D
5*	1		PIATTELLO MOLLA	SPRING PLATE	D
6*	1		MOLLA	SPRING	D
7*	1		RACCORDO GUIDA ASTA NICHELATO	NICKEL PLATED STEM NUT	D
8*	3		ANELLO OR Ø2,62x17,13 NBR 70	O-RING DIA. 2.62x17.13 NBR 70	A-B-C
9	1	9.850-867.0	LIMITATORE	SPACER	
10*	1		ANELLO ANTIESTRUSIONE OR 112	BACK-RING O-RING 112	C
11*	1		ANELLO OR Ø2,62x9,92 NBR 70	O-RING DIA. 2.62x9.92 NBR 70	C
12*	2		SPINA ELASTICA 3x14	PIN	C
13*	1		ASTA	STEM	D
14*	2		ANELLO ANTIESTRUSIONE OR 115	BACK-RING O-RING 115	C
15*	1		ANELLO OR Ø2,62x11,91 NBR 70	O-RING DIA. 2.62x11.91 NBR 70	C
16	1	9.850-749.0	ROSETTA RAME G 1/4	COPPER WASHER G 1/4	
17	1	9.851-363.0	TAPPO OTTONE G 1/4 NICHELATO	NICKEL PLATED BRASS PLUG G 1/4	
18	1	9.854-023.0	RACCORDO DI USCITA NICHELATO	NICKEL PLATED OUTLET CONNECTOR	
19*	1		MOLLA OTTURATORE	POPPET SPRING	A
20*	1		OTTURATORE	POPPET	A
21*	1		ANELLO OR Ø3x6 NBR 90	O-RING DIA. 3x6 NBR 90	A
22	1	9.854-025.0	RACCORDO DI ENTRATA NICHELATO	NICKEL PLATED INLET CONNECTOR	
23*	1		MOLLA CONICA	BALL SPRING	B
24*	1		SFERA Ø 7/16"	BALL DIA. 7/16"	B
25*	1		SEDE VALVOLA	VALVE SEAT	B
26*	1		ANELLO OR 1,78x12,42 NBR 70	O-RING DIA. 1.78x12.42 NBR 70	B
27	2	9.851-346.0	TAPPO OTTONE G 3/8 NICHELATO	NICKEL PLATED BRASS PLUG G 3/8	
28	2	9.850-747.0	ROSETTA RAME G 3/8	COPPER WASHER G 3/8	
29	1	9.854-022.0	CORPO VALVOLA NICHELATO	NICKEL PLATED VALVE BODY	

**IMPORTANT**

**IMPORTANTE**

\* **Part available ONLY in kit**  
**Disponibile SOLO in kit**