

TXT

Caratteristiche Tecniche

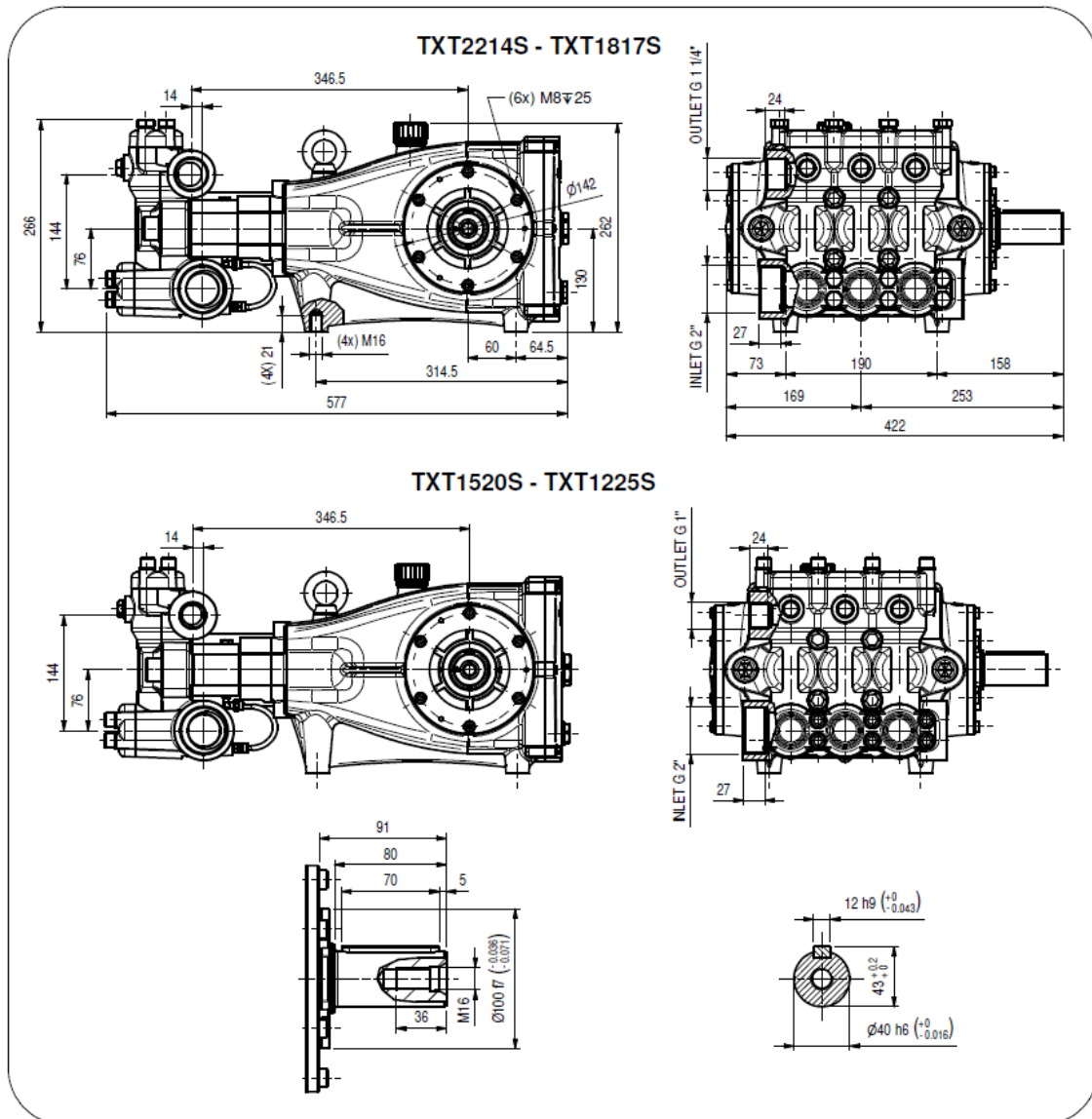
Albero maschio Ø 40 – Solid shaft Ø40

Technical Characteristics

Pump Pompa	Pressure Pressione		Volume Portata		RPM	Power Potenza	
	bar	PSI	l/min	GPM	giri/min	HP	kW
TXT1225S	250	3625	120	32.0	1000	77.4	57.7
TXT1520S	200	3000	150	40.0	1000	77.4	57.7
TXT1817S	170	2465	180	48.0	1000	78.9	58.8
TXT2214S	140	2030	220	58.7	1000	79.4	59.2

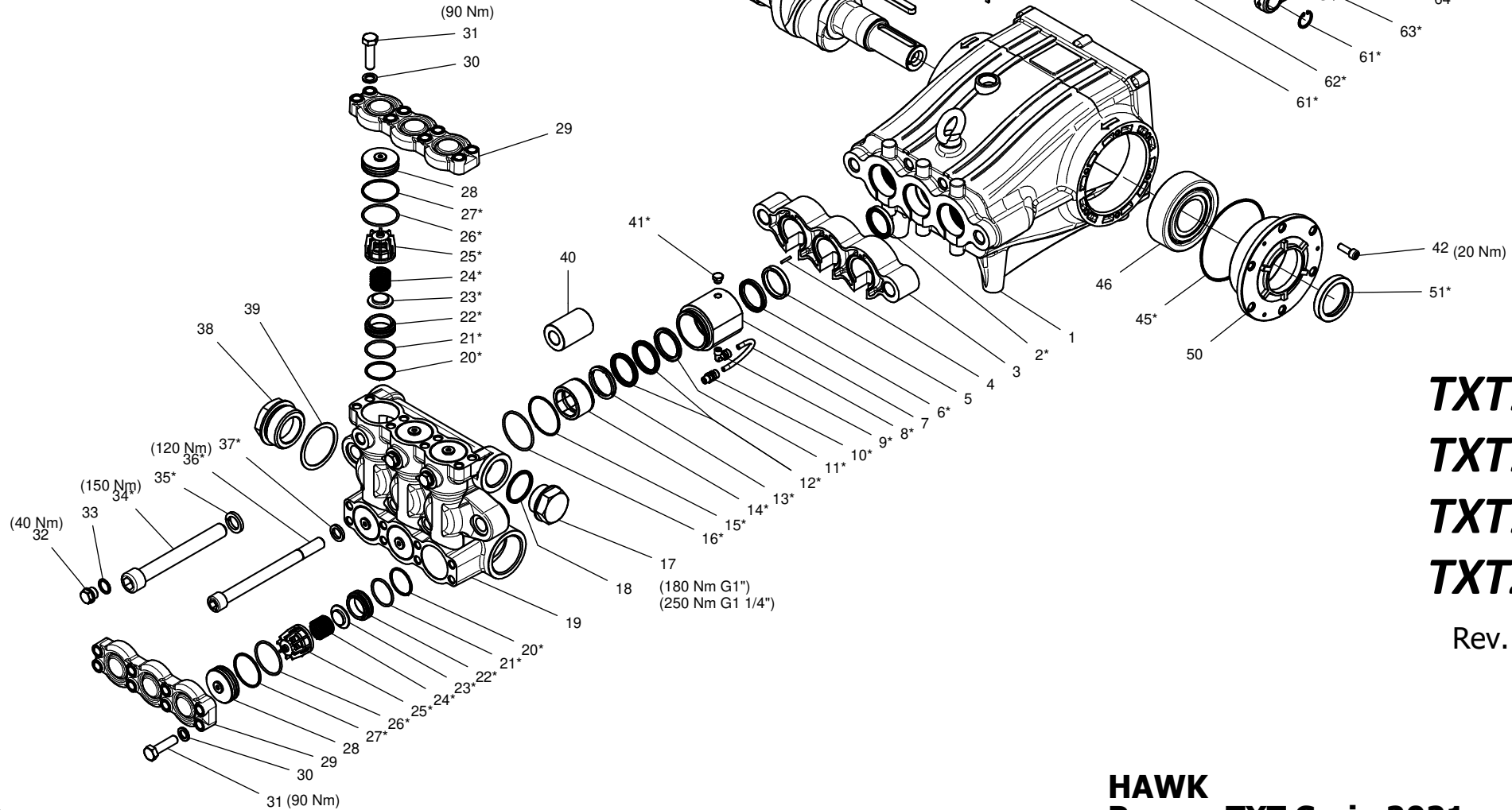
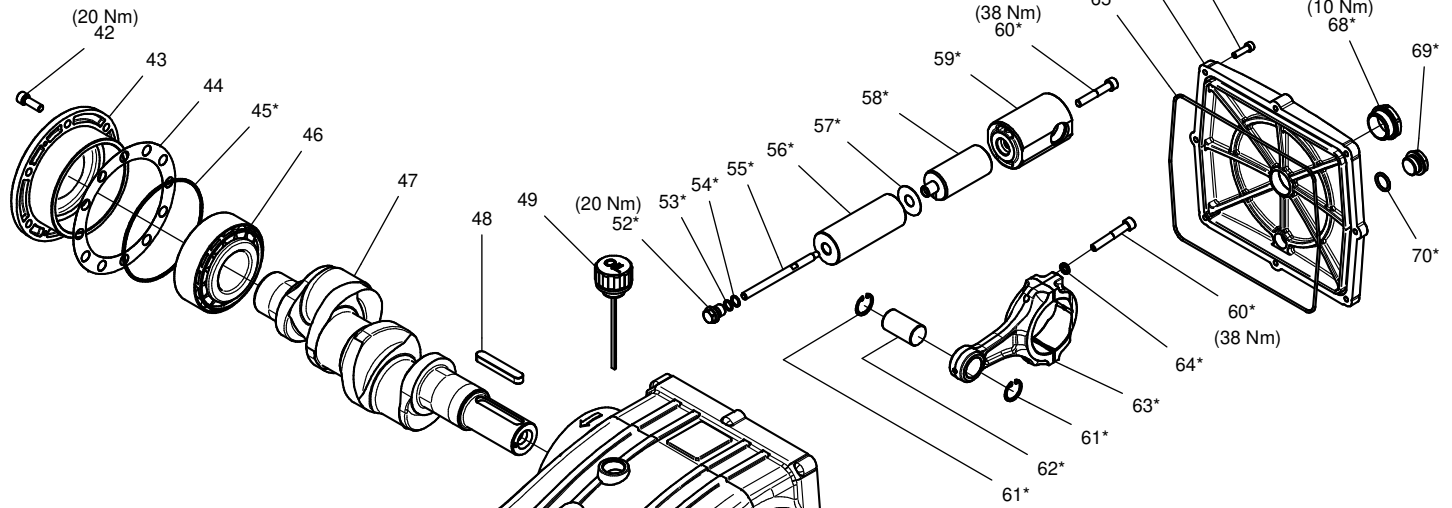
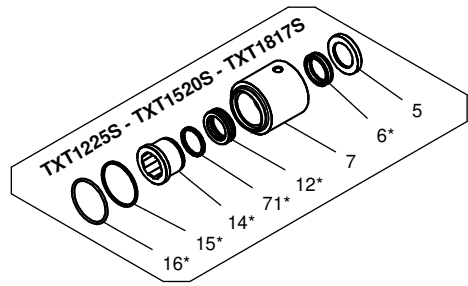
Dimensioni d'ingombro

Overall dimensions



Lubrificazione: SAE 10W40 Olio
Capacità: 5,5 Litri
Peso pompa: 74,5 kg

Lubrication: Oil SAE 10W40
Capacity: 5.5 Litres
Weight: 74.5 kg



TXT1225S
TXT1520S
TXT1817S
TXT2214S

Rev. 3 01-23

HAWK
Pompe TXT Serie 2021
TXT Pumps 2021 Series

TXT 2021 SERIES

ORDINARY MAINTENANCE KIT / KIT MANUTENZIONE ORDINARIA

KIT	Item - Pos	Part Number - Codice	Description	Descrizione	Q.TY per pump Q.TA per pompa	TXT2214S	TXT1817S	TXT1520S	TXT1225S
A	6- 11- 12- 13 14- 15- 16- 71	1.904-878.0	PISTON SEAL PACKING Ø40	GUARNIZIONI PISTONE Ø40	1	•			
		1.904-887.0	PISTON SEAL PACKING Ø36	GUARNIZIONI PISTONE Ø36	1		•		
		1.904-476.0	PISTON SEAL PACKING Ø36	GUARNIZIONI PISTONE Ø36	1			•	
		9.853-464.0	PISTON SEAL PACKING Ø30	GUARNIZIONI PISTONE Ø30	1				•
B	20- 21- 22- 23 24- 25- 26- 27	1.904-876.0	COMPLETE VALVE	VALVOLA COMPLETA	1	•	•		
		1.904-877.0	COMPLETE VALVE	VALVOLA COMPLETA	1			•	•

EXTRAORDINARY MAINTENANCE KIT / KIT MANUTENZIONE STRAORDINARIA

KIT	Item - Pos	Part Number - Codice	Description	Descrizione	Q.TY per pump Q.TA per pompa	TXT2214S	TXT1817S	TXT1520S	TXT1225S
C	52- 53- 54- 56 57	1.904-880.0	PLUNGER Ø40	PISTONE Ø40	1	•			
		1.904-473.0	PLUNGER Ø36	PISTONE Ø36	1		•	•	
		9.853-465.0	PLUNGER Ø30	PISTONE Ø30	1				•
D	2	1.904-478.0	PLUNGER OIL SEALS	TENUTE OLIO ASTA PISTONE	1	•	•	•	•
E	45- 51- 65- 68 69- 70	1.904-474.0	KIT CRANCKASE SEALS	KIT TENUTE CARTER	1	•	•	•	•
F	34- 35- 36- 37	1.904-882.0	MANIFOLD SCREWS	VITI TESTATA	1	•	•	•	•
G	52- 53- 54- 55 57- 58- 59- 60 61- 62- 63- 64	1.904-883.0	PLUNGER ROD-CONNECTING ROD	ASTA PISTONE-BIELLA	1	•			
		1.904-879.0	PLUNGER ROD-CONNECTING ROD	ASTA PISTONE-BIELLA	1		•	•	•
H	8- 9- 10- 41	1.904-881.0	COMPLETE CIRCULATION PIPES	TUBI RICIRCOLO	1	•	•	•	•

“Q.TY per pump” => Necessary quantity to repair one pump
 “Q.TA’ per pompa” => Quantità necessaria per riparare una pompa

IMPORTANT

IMPORTANTE

* Part available ONLY in kit
 Disponibile SOLO in kit

(...) Parts pre-assembled
 Parti pre-assemblate

PARTS LIST LISTA PARTI

Item Pos	Part Number Codice	Description	Descrizione	Kit	Q.TY Q.TA	TXT2214S	TXT1817S	TXT1520S	TXT1225S
1	9.853-880.0	CRANCKCASE	CARTER		1				
2*		OIL SEAL	ANELLO RADIALE	D	3	•	•	•	•
3	9.853-724.0	TXT CRANKCASE SPACER	DISTANZIALE CARTER TXT		1	•	•		
	9.850-361.0	CRANKCASE SPACER	DISTANZIALE CARTER		1			•	•
4	9.851-256.0	PIN	SPINA CILINDRICA		3	•	•	•	•
5	9.853-720.0	SUPPORT RING Ø40	PRESSORE Ø40		3	•			
	9.851-930.0	SUPPORT RING Ø36	PRESSORE Ø36		3		•	•	
	9.853-391.0	SUPPORT RING Ø30	PRESSORE Ø30		3				•
6*		"U" LP SEAL Ø40	TENUTA BASSA PRESSIONE Ø40	A	3	•			
		"U" LP SEAL Ø36	TENUTA BASSA PRESSIONE Ø36	A	3		•	•	
		"U" LP SEAL Ø30	TENUTA BASSA PRESSIONE Ø30	A	3				•
7	9.853-716.0	INTERMEDIATE RING Ø40	DIFFUSORE Ø40		3	•			
	9.853-727.0	INTERMEDIATE RING Ø36	DIFFUSORE Ø36		3		•		
	9.850-496.0	INTERMEDIATE RING Ø36	DIFFUSORE Ø36		3			•	
	9.850-495.0	INTERMEDIATE RING Ø30	DIFFUSORE Ø30		3				•
8*		RED RILSAN PIPE 6/4	TUBO RILSAN 6/4 ROSSO	H	3				
9*		FITTING 1500 6/4-1/8	RACCORDO 1500 6/4-1/8	H	3	•	•	•	•
10*		FITTING 1510 6/4-1/8 110618	RACCORDO 1510 6/4-1/8 110618	H	3				
11*		BRASS RING "V" Ø40 TXT	ANELLO GUARNIZIONE V Ø40 TXT	A	3	•			
12*		"V" HP SEAL Ø40	TENUTA ALTA PRESSIONE Ø40	A	6	•			
		"U" HP SEAL Ø36	TENUTA ALTA PRESSIONE Ø36	A	3		•	•	
		"U" HP SEAL Ø30	TENUTA ALTA PRESSIONE Ø30	A	3				•
13*		SUPPORT RING Ø40	DIFFUSORE "V" Ø40	A	3	•			
14*		BUSH GUIDE Ø40	BOCCOLA GUIDA Ø40	A	3	•			
		BUSH GUIDE Ø36	BOCCOLA GUIDA Ø36	A	3		•		
		BUSH GUIDE Ø36	BOCCOLA GUIDA Ø36	A	3			•	
		BUSH GUIDE Ø30	BOCCOLA GUIDA Ø30	A	3				•
15*		BACK RING OR 3218	ANELLO ANTIESTRUSORE OR 3218	A	3	•	•		
		BACK RING OR 3200	ANELLO ANTIESTRUSORE OR 3200	A	3			•	•
16*		O-RING 3218 - Ø2,62x55.25 NBR 70	O-RING 3218 - Ø2,62x55,25 NBR 70	A	3	•	•		
		O-RING 3200 - Ø2,62x50.47 NBR 70	O-RING 3200 - Ø2,62x50,47 NBR 70	A	3			•	•
17	9.851-339.0	BRASS PLUG G1" 1/4	TAPPO G 1" 1/4		1	•	•		
	9.851-331.0	BRASS PLUG G1"	TAPPO G 1"		1			•	•
18	9.851-191.0	BONDED SEAL 1 1/4"	BONDED SEAL 1 1/4"		1	•	•		
	9.850-752.0	COPPER SPACER G1"	ROSETTA RAME G 1"		1			•	•
19	9.853-704.0	MANIFOLD HOUSING TXT Ø40	TESTATA TXT Ø40		1	•	•		
	9.853-725.0	MANIFOLD HOUSING TXT 200-250 BAR	TESTATA TXT 200-250 BAR		1			•	•
20*		BACK RING OR 3150	ANELLO ANTIESTRUSIONE OR 3150	B	6	•	•		
		BACK RING OR 3112	ANELLO ANTIESTRUSIONE OR 3112	B	6			•	•

Item Pos	Part Number Codice	Description	Descrizione	Kit	Q.TY Q.TÀ	TXT2214S	TXT1817S	TXT1520S	TXT1225S
21*		O-RING 3150 – Ø2,62x37,77 NBR70	O-RING 3150 – Ø2,62x37,77 NBR70	B	6	•	•		
		O-RING 3150 – Ø2,62x28.25 NBR70	O-RING 3150 – Ø2,62x28,25 NBR70	B	6			•	•
22*		VALVE SEAT	SEDE VALVOLA	B	6	•	•		
		“ “	“ “	B	6			•	•
23*		VALVE PLATE	PIATTELLO VALVOLA	B	6	•	•		
		VALVE PLATE TXT 250 BAR	PIATTELLO VALVOLA TXT 250 BAR	B	6			•	•
24*		VALVE SPRING TXT2214-TXT1817	MOLLA VAM TXT2214-TXT1817	B	6	•	•		
		VALVE SPRING	MOLLA VAM	B	6			•	•
25*		VALVE CAGE	GABBIA VALVOLA	B	6	•	•		
		“ “	“ “	B	6			•	•
26*		O-RING 3187 – Ø2,62x47,30 NBR 70	O-RING 3187 – Ø2,62x47,30 NBR 70	B	6	•	•		
		O-RING 3150 – Ø2,62x37,77 NBR70	O-RING 3150 – Ø2,62x37,77 NBR70	B	6			•	•
27*		BACK RING OR 3187	ANELLO ANTIESTRUSIONE OR 3187	B	6	•	•		
		BACK RING OR 3150	ANELLO ANTIESTRUSIONE OR 3150	B	6			•	•
28	9.853-707.0	VALVE PLUG	TAPPO VALVOLA		6	•	•		
	9.853-726.0	“ “	“ “		6			•	•
29	9.853-705.0	MANIFOLD HOUSING COVER	COPERCHIO TESTATA		2				
30	9.851-140.0	WASHER M12	ROSETTA M12		16				
31	9.853-881.0	SCREW M12x45	VITE TE M12x45		16				
32	9.851-303.0	PLUG G 3/8	TAPPO G 3/8		3				
33	9.850-747.0	COPPER SPACER G 3/8	ROSETTA RAME G 3/8		3				
34	9.853-835.0	SCREW M20x170	VITE TCEI M20x170		2				
35	9.853-873.0	WASHER M20	ROSETTA ELASTICA M20		2				
36	9.853-882.0	SCREW M16x200	VITE TCEI M16x200		4				
37	9.851-161.0	WASHER M16	ROSETTA ELASTICA M16		4	•	•	•	•
38	9.853-714.0	PLUG G 2”	TAPPO G 2”		1				
39	9.853-715.0	COPPER SPACER G 2”	ROSETTA RAME G 2”		1				
40	9.853-834.0	MANIFOLD SPACER	DISTANZIALE TESTATA		2				
41*		PLUG 2611 1/8	TAPPO 2611 1/8	H	3				
42	9.851-468.0	SCREW M8x25	VITE TCEI M8x25		12				
43	9.850-646.0	CLOSED HOUSING	FLANGIA CHIUSA		1				
44	9.850-549.0	SHIM	DISTANZIALE FLANGIA		1				
45*		O-RING 3475 – NBR70	O-RING 3475 – NBR70	E	2				
46	9.850-353.0	BEARING	CUSCINETTO		2				
47	9.853-844.0	CRANKSHAFT ECC. 30 mm	ALBERO ECC. 30 mm		1	•	•		•
	9.853-845.0	CRANKSHAFT ECC. 26 mm	ALBERO ECC. 26 mm		1			•	
48	9.850-449.0	CRANKSHAFT KEY	CHIAVETTA		1				
49	9.851-284.0	OIL DIP STICK G3/4	TAPPO SFIATO OLIO G3/4		1				
50	9.850-645.0	BEARING HOUSING	FLANGIA APERTA		1	•	•	•	•
51*		OIL SEAL	ANELLO RADIALE	E	1				

Item Pos	Part Number Codice	Description	Descrizione	Kit	Q.TY Q.TÀ	TXT2214S	TXT1817S	TXT1520S	TXT1225S
52*		PLUNGER NUT	DADO PISTONE	C-G	3				
53*		O-RING 2037 – NBR70	O-RING 2037 – NBR70	C-G	3	•	•	•	•
54*		BACK RING OR2037	ANELLO ANTIESTR. OR2037	C-G	3				
55*		PLUNGER TIE ROD TXT D. 40	TIRANTE PISTONE Ø40	G	3	•			
		PLUNGER TIE ROD	TIRANTE PISTONE	G	3		•	•	•
56*		PLUGER Ø40	PISTONE Ø40	C	3	•			
		PLUGER Ø36	PISTONE Ø36	C	3		•	•	
		PLUGER Ø30	PISTONE Ø30	C	3				•
57*		PLUGER WASHER	ROSETTA PISTONE	C-G	3				
58*		PLUNGER ROD SPACER	DISTANZIALE ASTA	G	3				
59*		PLUNGER ROD	ASTA PATTINO	G	3				
60*		SCREW M8x50	VITE TCEI M8x50	G	9				
61*		SEEGER	ANELLO SEEGER	G	6				
62*		CONNECTING ROD PIN	SPINOTTO	G	3				
63*		CONNECTING ROD	BIELLA	G	3				
64*		WASHER M8	ROSETTA ELASTICA M8	G	3	•	•	•	•
65*		O-RING Ø2,62x255 - NBR90	O-RING Ø2,62x255 - NBR90	E	1				
66	9.850-395.0	CRANCKCASE COVER	COPERCHIO CARTER		1				
67	9.851-480.0	SCREW M6x22	VITE TCEI M6x22		8				
68*		SIGHT GLASS G1"	SPIA LIVELLO G1"	E	1				
69*		PLUG G1/2	TAPPO G1/2	E	1				
70*		O-RING 3068 - NBR70	O-RING 3068 - NBR70	E	1				
71*		SCRAPER Ø36	RASCHIATORE PISTONE Ø36	A	1		•	•	
		SCRAPER Ø30	RASCHIATORE PISTONE Ø30	A	1				•