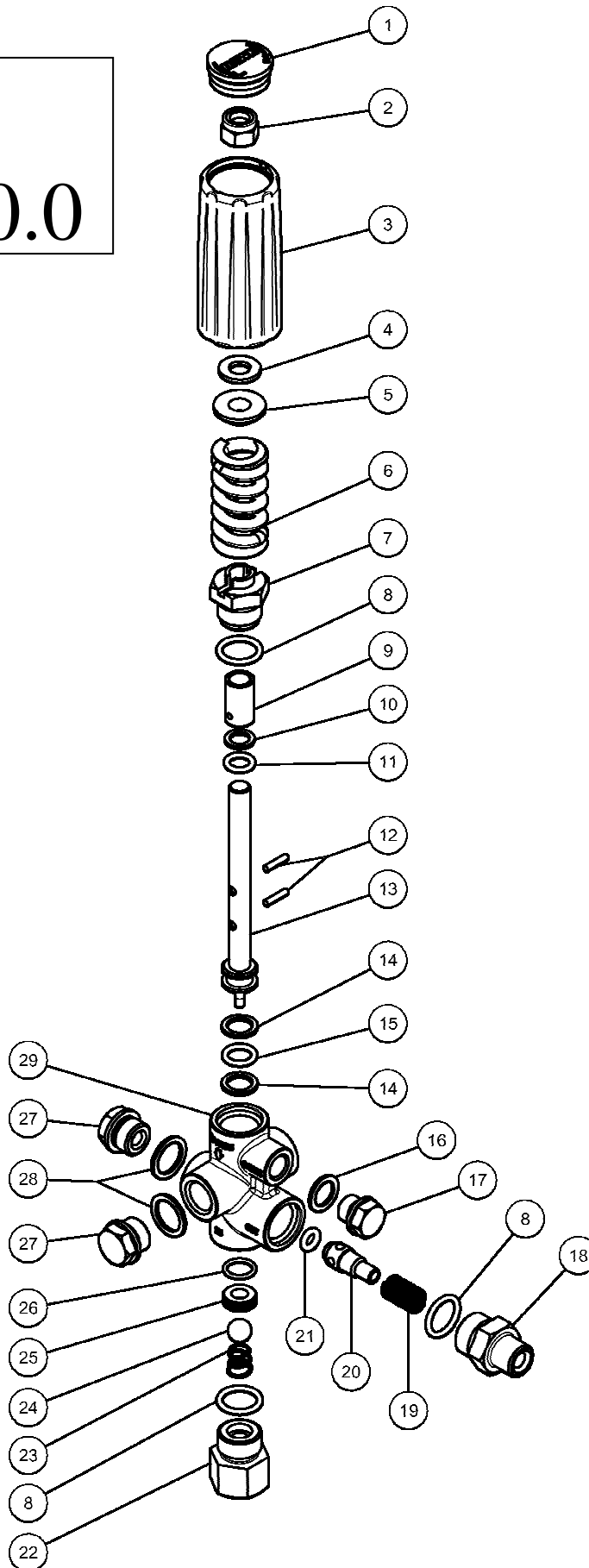


NVBR  
1.905-530.0



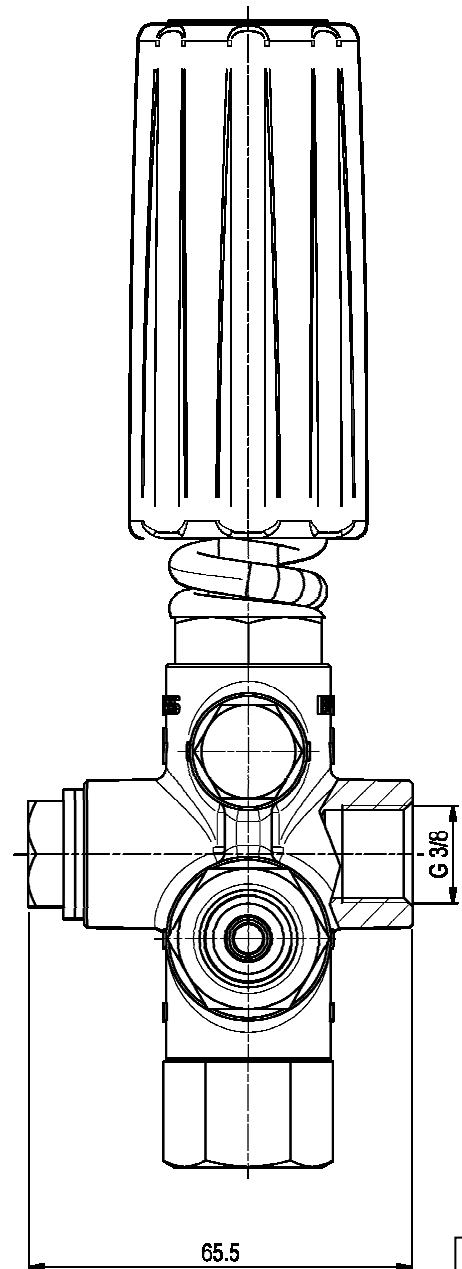
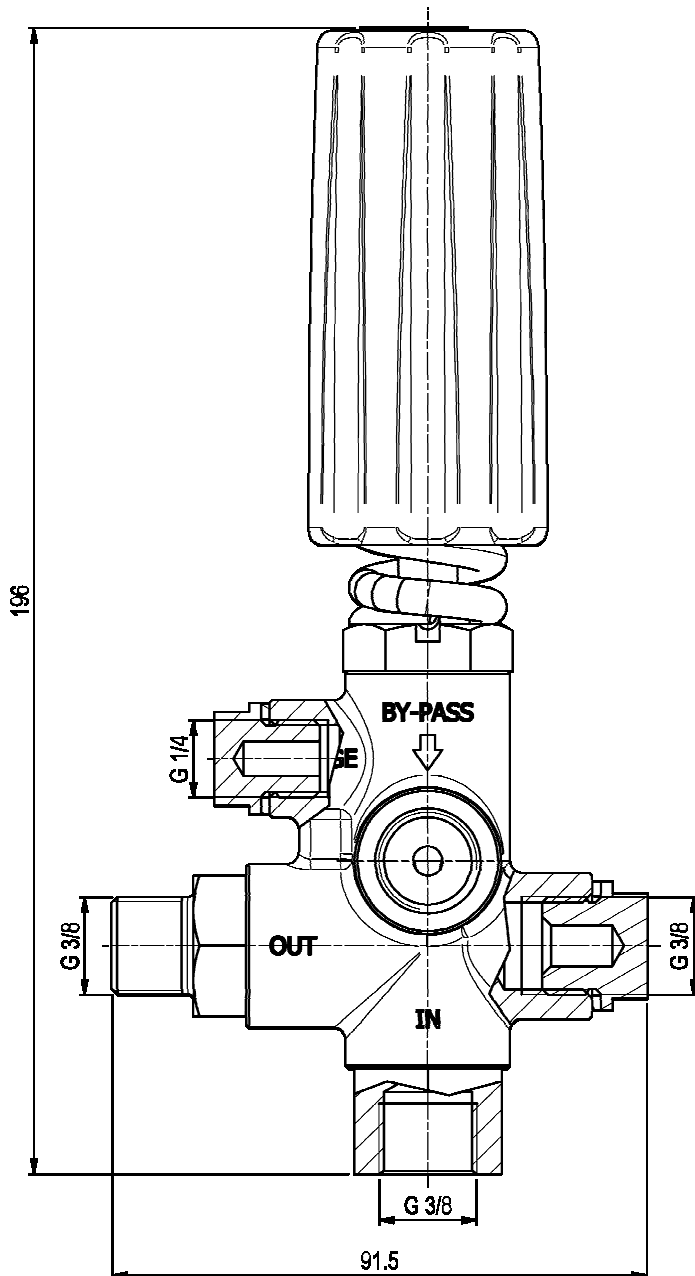
CARATTERISTICHE TECNICHE

TECHNICAL CHARACTERISTICS

| Codice<br>Part No. | Pressione Max<br>Max Pressure |      | Portata<br>Flow rate |     | Temp. Max<br>Max Temp. | Inlet Port<br>Entrata | Outlet Port<br>Uscita | By-pass |
|--------------------|-------------------------------|------|----------------------|-----|------------------------|-----------------------|-----------------------|---------|
|                    | bar                           | PSI  | l/min                | GPM | °C                     |                       |                       |         |
| 1.905-530.0        | 210                           | 3000 | 25                   | 6.6 | 65                     | G 3/8" F              | G 3/8" M              | G3/8" F |

DIMENSIONI D'INGOMBRO

OVERALL DIMENSIONS



Rev. 0  
1/17

SPARE PARTS KIT

KIT RICAMBI

| Codice<br>Code | Descrizione/Description |                                       | Q.tà |
|----------------|-------------------------|---------------------------------------|------|
|                | #                       | Componente / Parts                    | Q.ty |
| 1.099-961.0    |                         | Kit Ritegno / Kit Outlet              | 1    |
|                | 8                       | 9.850-582.0                           | 1    |
|                | 19                      | 9.850-873.0                           | 1    |
|                | 20                      | 9.850-957.0                           | 1    |
|                | 21                      | 9.850-722.0                           | 1    |
| 1.099-965.0    |                         | Kit Entrata / Kit Inlet               | 1    |
|                | 8                       | 9.850-673.0                           | 1    |
|                | 23                      | 9.850-876.0                           | 1    |
|                | 24                      | 9.851-248.0                           | 1    |
|                | 25                      | 9.851-224.0                           | 1    |
|                | 26                      | 9.850-691.0                           | 1    |
| 1.904-489.0    |                         | Kit guarnizioni asta / Kit stem seals | 1    |
|                | 8                       | 9.850-673.0                           | 1    |
|                | 10                      | 9.850-281.0                           | 1    |
|                | 11                      | 9.850-715.0                           | 1    |
|                | 12                      | 9.851-253.0                           | 2    |
|                | 14                      | 9.850-261.0                           | 2    |
|                | 15                      | 9.850-675.0                           | 1    |
| 1.905-531.0    |                         | Kit asta / Kit stem                   | 1    |
|                | 4                       | 9.851-127.0                           | 1    |
|                | 5                       | 9.851-063.0                           | 1    |
|                | 6                       | 9.850-877.0                           | 1    |
|                | 7                       | 9.851-179.0                           | 1    |
|                | 13                      | 9.851-090.0                           | 1    |

SPARE PARTS

LISTA RICAMBI

| #  | Q.TA'<br>Q.TY | CODICE      | DESCRIZIONE                  | DESCRIPTION             |
|----|---------------|-------------|------------------------------|-------------------------|
| 1  | 1             | 9.851-289.0 | TAPPO MANOPOLA               | HANDLE CAP              |
| 2  | 1             | 9.850-582.0 | DADO M10 INOX                | STAINLESS STEEL NUT M10 |
| 3  | 1             | 9.850-906.0 | MANOPOLA VALVOLA             | HANDLE                  |
| 4  | 1             | 9.851-127.0 | ROSETTA ANTIFRIZIONE         | TEFLON WASHER           |
| 5  | 1             | 9.851-063.0 | PIATTELLO MOLLA              | SPRING PLATE            |
| 6  | 1             | 9.850-877.0 | MOLLA                        | SPRING                  |
| 7  | 1             | 9.851-179.0 | RACCORDO GUIDA ASTA          | STEM NUT                |
| 8  | 3             | 9.850-673.0 | ANELLO OR Ø2,62x17,13        | O-RING DIA. 2.62x17.13  |
| 9  | 1             | 9.850-867.0 | LIMITATORE                   | SPACER                  |
| 10 | 1             | 9.850-281.0 | ANELLO ANTIESTRUSIONE OR 112 | BACK-RING O-RING 112    |
| 11 | 1             | 9.850-715.0 | ANELLO OR Ø2,62x9,92         | O-RING DIA. 2.62x9.92   |
| 12 | 2             | 9.851-253.0 | SPINA ELASTICA 3x14          | PIN                     |
| 13 | 1             | 9.851-090.0 | ASTA                         | STEM                    |
| 14 | 2             | 9.850-261.0 | ANELLO ANTIESTRUSIONE OR 115 | BACK-RING O-RING 115    |
| 15 | 1             | 9.850-675.0 | ANELLO OR Ø2,62x11,91        | O-RING DIA. 2.62x11.91  |
| 16 | 1             | 9.850-749.0 | ROSETTA RAME G 1/4           | COPPER WASHER G 1/4     |
| 17 | 1             | 9.851-305.0 | TAPPO OTTONE G 1/4           | BRASS PLUG G 1/4        |
| 18 | 1             | 9.851-170.0 | RACCORDO DI USCITA           | OUTLET CONNECTOR        |
| 19 | 1             | 9.850-873.0 | MOLLA OTTURATORE             | POPPET SPRING           |
| 20 | 1             | 9.850-957.0 | OTTURATORE                   | POPPET                  |
| 21 | 1             | 9.850-722.0 | ANELLO OR Ø3x6               | O-RING DIA. 3x6         |
| 22 | 1             | 9.851-167.0 | RACCORDO DI ENTRATA          | INLET CONNECTOR         |
| 23 | 1             | 9.850-876.0 | MOLLA CONICA                 | BALL SPRING             |
| 24 | 1             | 9.851-248.0 | SFERA Ø 7/16"                | BALL DIA. 7/16"         |
| 25 | 1             | 9.851-224.0 | SEDE VALVOLA                 | VALVE SEAT              |
| 26 | 1             | 9.850-691.0 | ANELLO OR 1,78x12,42         | O-RING DIA. 1.78x12.42  |
| 27 | 2             | 9.851-303.0 | TAPPO OTTONE G 3/8           | BRASS PLUG G 3/8        |
| 28 | 2             | 9.850-747.0 | ROSETTA RAME G 3/8           | COPPER WASHER G 3/8     |
| 29 | 1             | 9.853-379.0 | CORPO VALVOLA                | VALVE BODY              |