

NHDP EBCH – 200 BAR

Caratteristiche Tecniche

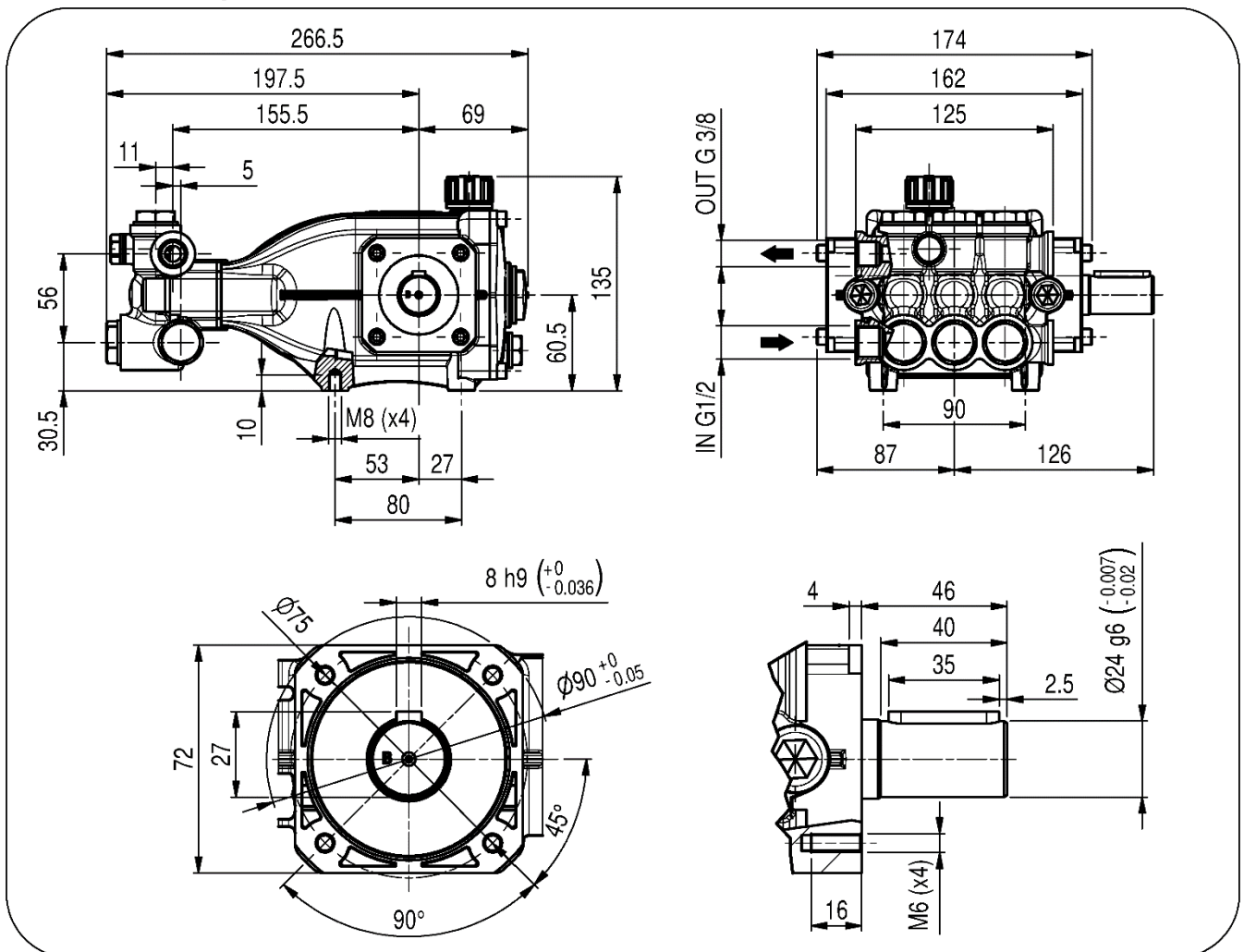
Albero maschio – Solid shaft

Technical Characteristics

Pump Pompa	Pressure Pressione		Volume Portata				RPM giri/min		Power Potenza			
			l/min		GPM				HP		kW	
	bar	PSI	50 Hz	60 Hz	50 Hz	60 Hz	50 Hz	60 Hz	50 Hz	60 Hz	50 Hz	60 Hz
NHDP8520EBCH	200	2900	8.5	10.1	2.2	2.7	1450	1740	4.3	5.1	3.2	3.9
NHDP1120EBCH	200	2900	11	13.2	2.9	3.5	1450	1740	5.7	6.8	4.3	5.1

Dimensioni d'ingombro

Overall dimensions

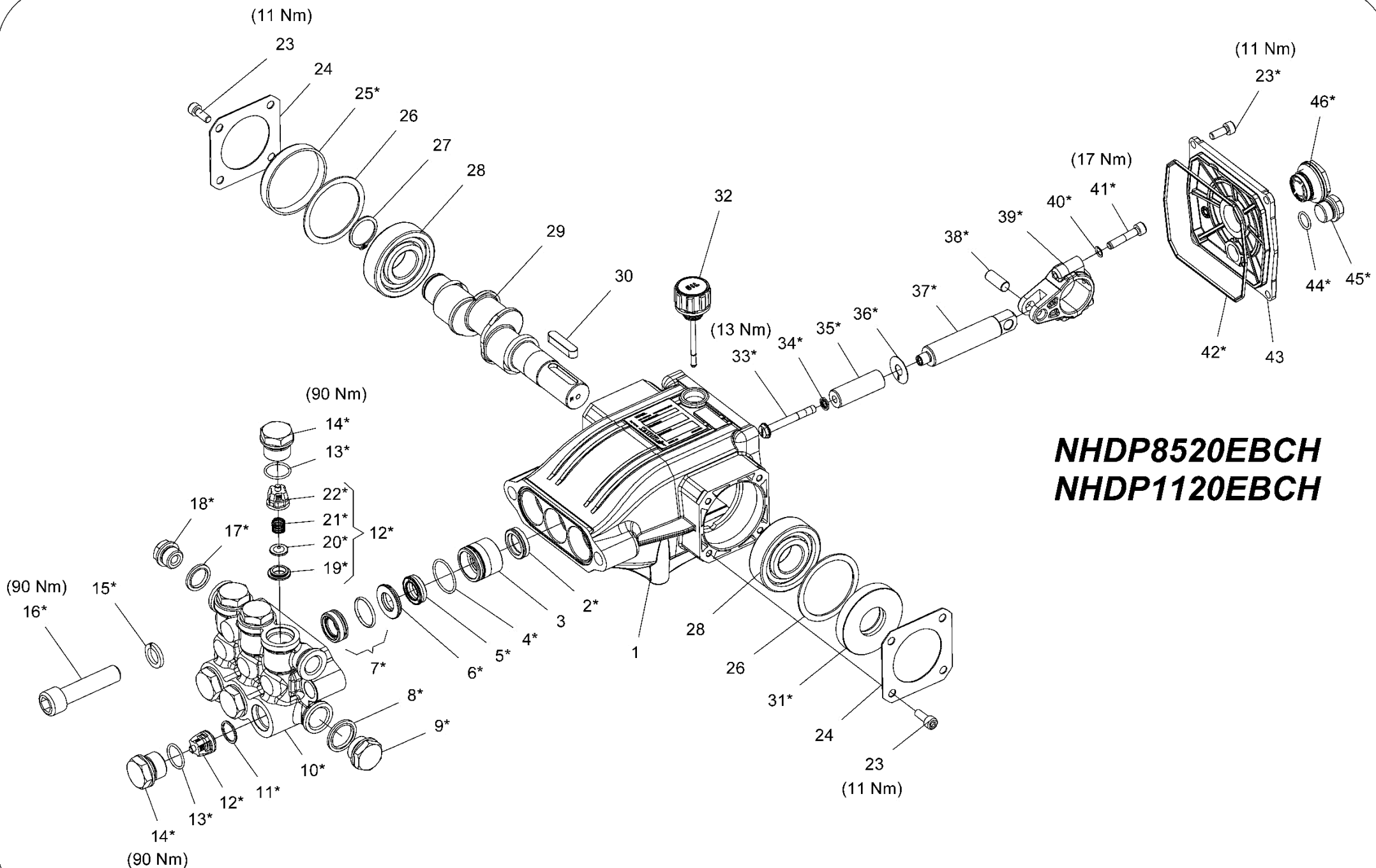


Lubrificazione: Olio SAE 10W40
 Capacità: 0.4 Litri
 Peso pompa: 8.2 kg

Lubrication: SAE 10W40 Oil
 Capacity: 0.4 Litres
 Weight: 8.2 kg

LEUCO S.p.A.

Rev. 0 2-24



NHDP8520EBCH
NHDP1120EBCH

HAWK
Pompe Serie NHD PLUS EBCH 2024
NHD PLUS EBCH Pumps 2024 Serie

NHDP EBCH 2024 SERIES

ORDINARY MAINTENANCE KIT / KIT MANUTENZIONE ORDINARIA

KIT	Item Pos.	Part Number Codice	Description	Descrizione	Q.TY by Pump Q.TA per Pompa	NHDP8520EBCHR/L	NHDP1120EBCHR/L
A	4 - 5 - 7 - 16	1.905-089.0	CHEMICAL PLUNGER SEALS DIA. 16 mm	KIT GUARNIZIONI CHEMICAL DIA. 16 mm	1		
B	11 - 12 (19 - 20 - 21 - 22) - 13	1.905-090.0	COMPLETE VALVE NHDP EBCH/ES	KIT VAM COMPLETA NHDP EBCH/ES	1	•	•

EXTRAORDINARY MAINTENANCE KIT / KIT MANUTENZIONE STRAORDINARIA

KIT	Item Pos.	Part Number Codice	Description	Descrizione	Q.TY by Pump Q.TA per Pompa	NHDP8520EBCHR/L	NHDP1120EBCHR/L
C	3 - 4 - 5 - 6 - 7 - 16	1.905-094.0	COMPLETE CHEMICAL PACKING SEALS DIA. 16 mm	KIT GUARNIZIONI COMPL. "U" Ø16 (NHDP CHEMICAL) HAWK	1		
D	33 - 34 - 35 - 36	1.099-738.0	PLUNGER DIA. 16 mm	PISTONE Ø16	3		
E	2	1.099-740.0	PLUNGER OIL SEALS	ANELLI TENUTA OLIO ASTA	1		
F	25 - 31 - 42 - 44 - 45 - 46	1.905-624.0	KIT CRANKCASE SEALS	KIT TENUTE CARTER	1		
G	3 - 4 - 5 - 6 - 7 - 8 - 9 - 10 - 11 - 12 - (19 - 20 - 21 - 22) - 13 - 14 - 15 - 16 - 17 - 18	1.905-091.0	COMPLETE MANIFOLD	TESTATA COMPLETA	1	•	•
H	37 - 38 - 39 - 40 - 41	1.905-742.0	CONNECTING ROD PLUNGER ROD ASSY	PREMONTATO ASTA-BIELLA PISTONE	3		
I	13 - 14	1.905-080.0	VALVE PLUG ASSY	PREMONTATO TAPPO VAM	6		

“Q.TY by Pump” => Necessary quantity to repair one pump
 “Q.TA’ per Pompa” => Quantità necessaria per riparare una pompa

TOOL KIT

<i>Part Number Codice</i>	<i>Description</i>	<i>Descrizione</i>	<i>Q.TY by Pump Q.TÀ per Pompa</i>	<i>NHDP8520EBCHR/L</i>	<i>NHDP1120EBCHR/L</i>
1.905-137.0	TOOL-KIT ORDINARIO NHDP EBCH/ES	TOOL-KIT NHDP EBCH/ES	1		
1.905-591.0	TOOL-KIT EXTRAORDINARY	TOOL-KIT MANUTENZIONE STRAORINARIA	1	•	•

IMPORTANT

IMPORTANTE

***** *Part available ONLY in kit*
Disponibile SOLO in kit

(...) *Parts pre-assembled*
Parti pre-assemblate

PARTS LIST LISTA PARTI

Item Pos	Part Number Codice	Description	Descrizione	KIT	Q.T.Y Q.T.À	NHDP8520EBCHR/L	NHDP1120EBCHR/L
1	9.854-036.0	RED CRANKCASE	CARTER ROSSO HAWK		1		
2*		PLUNGER OIL SEAL	ANELLO RADIALE	E	3		
3*		PRESSURE RING DIA. 16 MM	PRESSORE "U" Ø16	C-G	3		
4*		"O" RING Ø1.78X26.7 FKM	"O" RING Ø1.78X26.7 FKM	A-C-G	3		
5*		SEALING RING Ø16X24X8 "U" PTFE	AN. TENUTA PIST. Ø16X24X8 PTFE	A-C-G	3		
6*		RING AISI 316	DIFFUSORE AISI 316	C-G	3		
7*		SEALING RING Ø16X26X9,5 "U" PTFE	AN. TENUTA PIST. Ø16X26X9,5 "U" PTFE	A-C-G	3		
8*		WASHER SEAL G1/2 (ECOBASS)	BONDED SEAL G1/2 AISI 316	G	1		
9*		BRASS PLUG G1/2 (ECOBASS)	TAPPO OTTONE G1/2 (ECOBASS)	G	1		
10*		ECOBASS CYLINDERHEAD	TESTATA ECOBASS NHDP	G	1		
11*		O-RING 2062 - Ø1,78X15,60 FKM	O-RING 2062 - Ø1,78X15,60 FKM	B-G	6		
12*		VALVE ASSEMBLY	VALVOLA PREMONTATA	B-G	6		
13*		O-RING 2075 - Ø1,78X18,77 FKM	O-RING 2075 - Ø1,78X18,77 FKM	B-G-I	6		
14*		VALVE PLUG M22X1.5 ECOBASS	TAPPO VAM M22X1.5 ECOBASS	G-I	6		
15*		LOCK-WASHER AISI316	ROSETTA ELASTICA Ø14 A4	G	2		
16*		A4 MANIFOLD STUD BOLT M14X60	VITE TCEI M14X60 A4	A-G-C	2		
17*		BONDED SEAL G3/8 AISI 316	BONDED SEAL G3/8 AISI 316	G	1		
18*		ECOBASS PLUG G 3/8	TAPPO ECOBASS G 3/8	F-G	1		
19*		VALVE SEAT	SEDE VALVOLA	B-G	6		
20*		VALVE PLATE	PIATTELLO VALVOLA	B-G	6		
21*		VALVE SPRING	MOLLA VALVOLA	B-G	6		
22*		VALVE CAGE	GABBIA VALVOLA	B-G	6		
23*	9.851-475.0	SCREW M6X16 AISI 316	VITE TCEI M6X16 AISI 316		12		
24	9.854-038.0	BEARING COVER AISI 316	COPERCHIO CUSCINETTO AISI 316		2		
25		BEARING SEAL	CAPPELLOTTO CUSCINETTO	F	1		
26*	9.850-554.0	CRANKSHAFT SEAL SPACER	DISTANZIALE PARAOLIO ALBERO		2		
27*	9.851-198.0	SNAP RING DIA. 25 MM	ANELLO Ø25		1		
28	9.850-460.0	BALL BEARING	CUSCINETTO A SFERE		2		
29	9.850-225.0	SINGLE-ENDED SHAFT	ALBERO SEMPLICE P.D.F		1		
	9.850-226.0	SINGLE-ENDED SHAFT	ALBERO SEMPLICE P.D.F		1		
30	9.850-446.0	CRANKSHAFT KEY	CHIAVETTA		1		
31		CRANKSHAFT SEAL	ANELLO RADIALE	F	1		
32*	9.851-286.0	OIL DIP STICK	TAPPO LIVELLO OLIO		1		
33		PLUNGER BOLT	VITE PISTONE	D	3		

Item Pos	Part Number Codice	Description	Descrizione	KIT	Q.T Y Q.T À	NHDP8520EBCHR/L	NHDP1120EBCHR/L
34*		BONDED SEAL - Ø6,7X11X1 AISI 304	BONDED SEAL - Ø6,7X11X1 AISI 304	D	3		
35*		PLUNGER DIA. 16 MM	PISTONE Ø16	D	3		
36*		COPPER SPACER	ROSETTA RAME	D	3		
37*		PLUNGER ROD	ASTA PISTONE	H	3		
38*		CONNECTING ROD PIN	SPINOTTO	H	3		
39*		CONNECTING ROD	BIELLA	H	3		
40*		SPRING WASHER DIA. 6 MM	ROSETTA SCHNORR Ø6	H	6	•	•
41*		CONNECTING ROD SCREW	VITE M6X30	H	6		
42*		"O" RING Ø2.62X111.62	"O" RING Ø2.62X111.62	F	1		
43*	9.854-035.0	RED CRANKCASE COVER	COPERCHIO POST. ROSSO HAW		1		
44		"O" RING Ø1.78X14	"O" RING Ø1.78X14	F	1		
45*		BRASS PLUG G3/8	TAPPO OTTONE G3/8	F	1		
46*		SIGHT GLASS G3/4	SPIA LIVELLI OLIO G3/4	F	1		