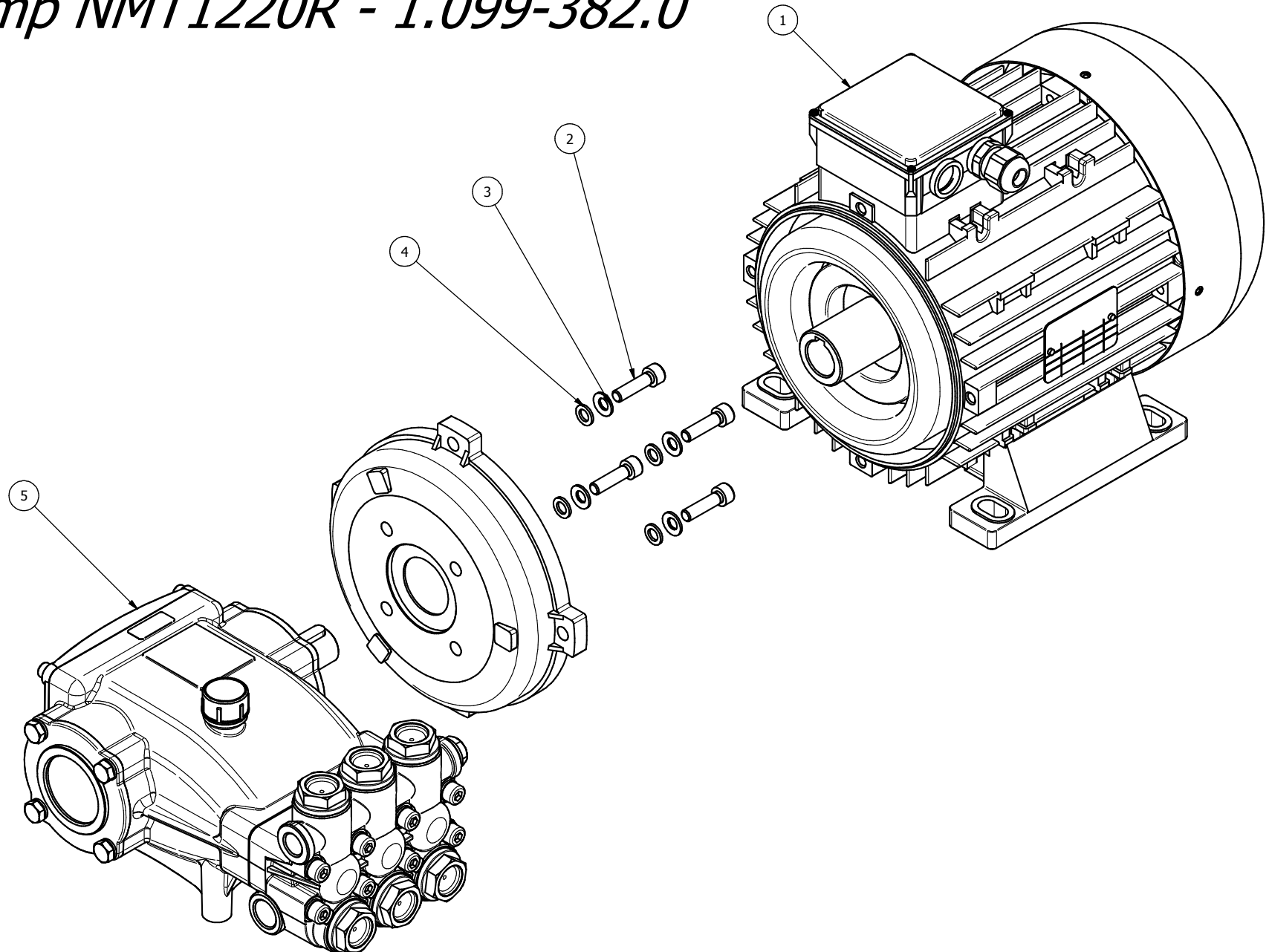


Elettropompa NMT1220R - 1.099-382.0

Motorpump NMT1220R - 1.099-382.0



ELETTROPOMPA NMT1220R - 610004 / MOTORPUMP NMT1220R - 1.099-382.0

PRESSIONE MASSIMA / *MAX PRESSURE* : 200 BAR

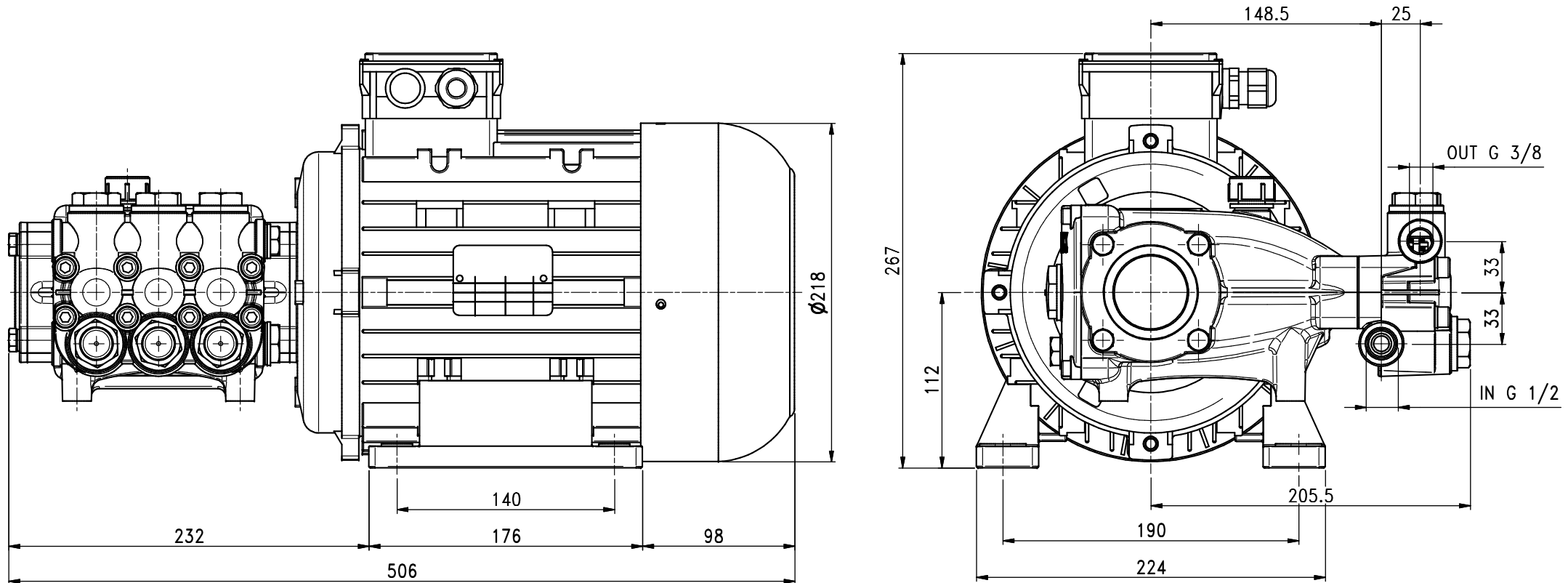
PORTATA A 1450 RPM / *FLOW RATE AT 1450 RPM* : 12.5 l/min

PORTATA A 1740 RPM / *FLOW RATE AT 1740 RPM* : 15 l/min

POTENZA MASSIMA A 1450 RPM / *MAX POWER AT 1450 RPM* : 5.5 kW

POTENZA MASSIMA A 1740 RPM / *MAX POWER AT 1740 RPM* : 6.6 kW

PESO / *WEIGHT* : 42 kg



ELETTROPOMPA NMT1220R - 1.099-382.0 MOTORPUMP

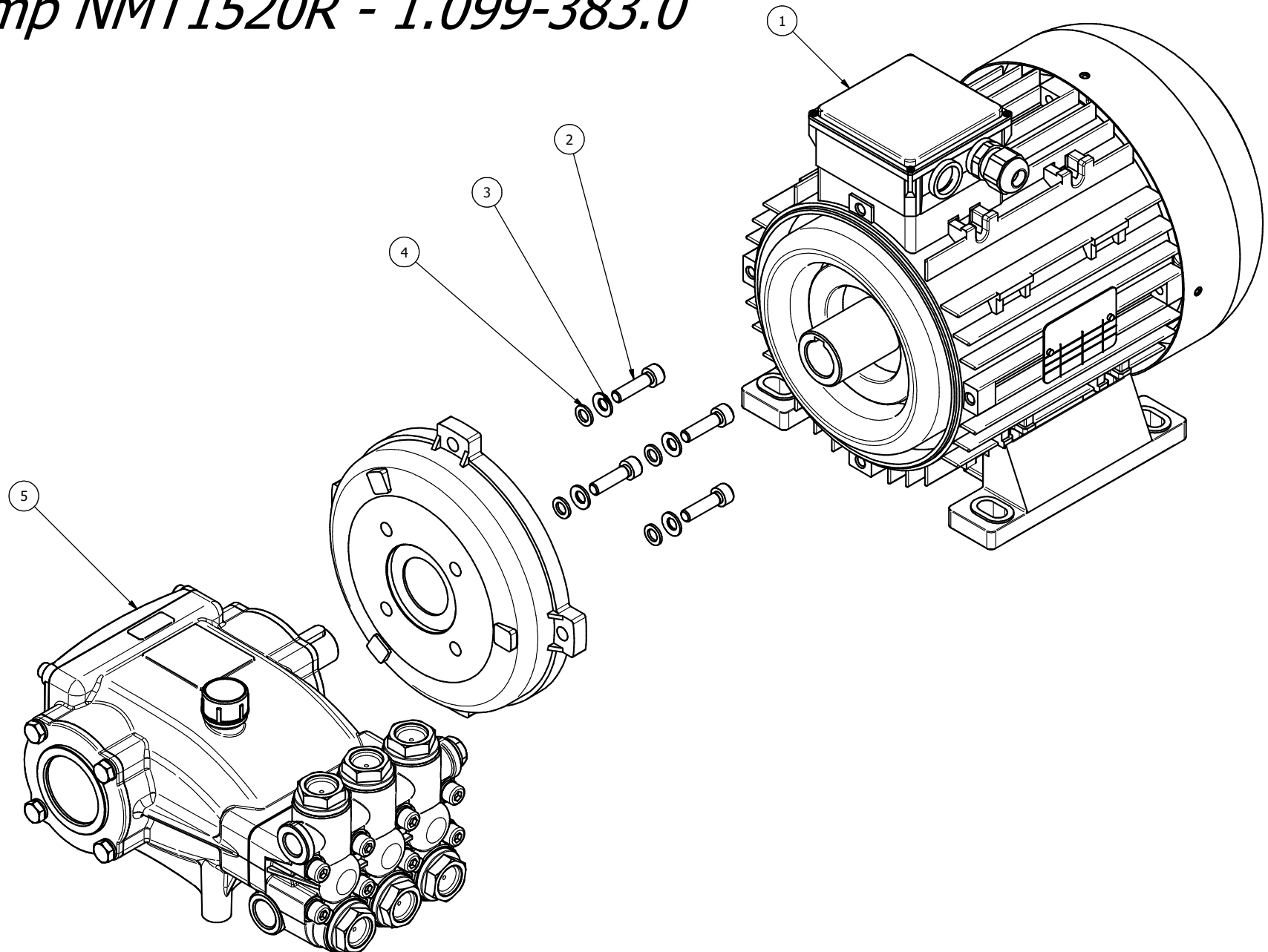
PARTS LIST

LISTA PARTI

<i>Pos.</i> Item	<i>Codice</i> Part Number	Description	<i>Descrizione</i>	<i>Q.tà</i> Q.ty
1	1.099-397.0	Electric Motor	<i>Motore Elettrico</i>	1
2	9.851-470.0	Screw M8x30	<i>Vite TCEI M8x30</i>	4
3	9.851-152.0	Spring washer Ø8	<i>Rosetta elastica Ø8</i>	4
4	9.851-114.0	Washer Ø8.5	<i>Rosetta Ø8.5</i>	4
5	NMT1220R	Pump	<i>Pompa</i>	1

Elettropompa NMT1520R - 1.099-383.0

Motorpump NMT1520R - 1.099-383.0



ELETTROPOMPA NMT1520R - 610005 / MOTORPUMP NMT1520R - 1.099-383.0

PRESSIONE MASSIMA / *MAX PRESSURE* : 190 BAR

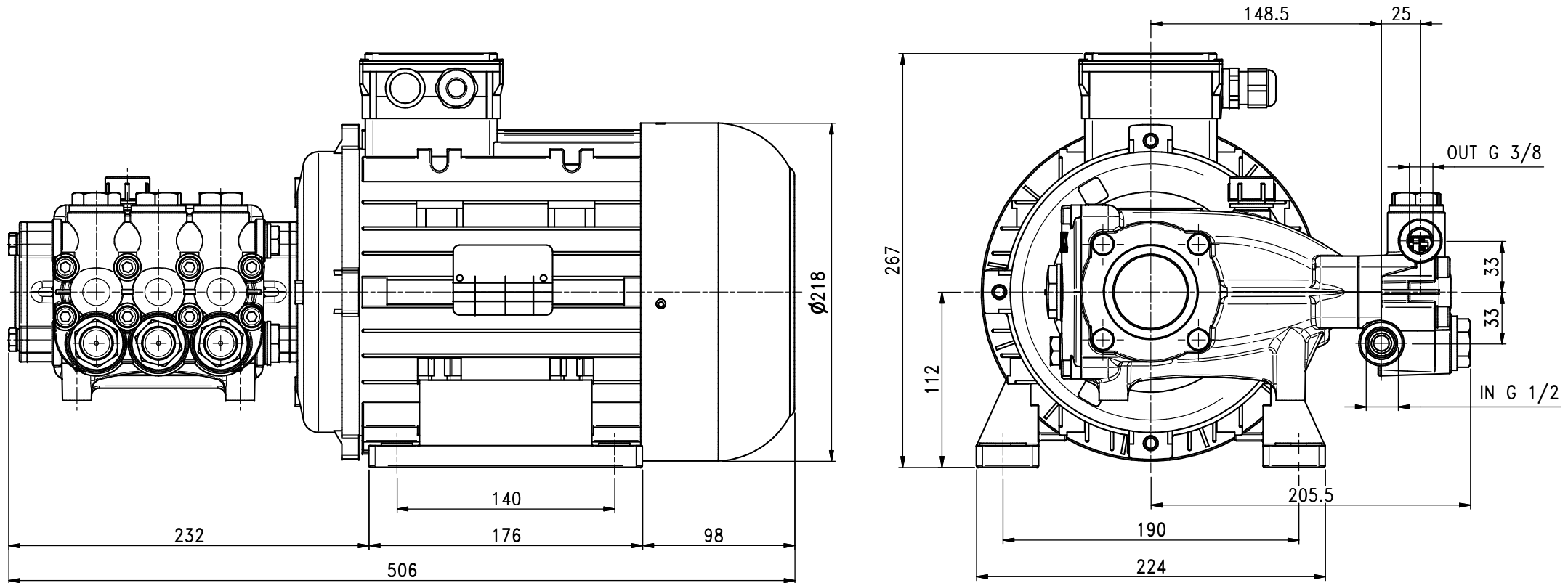
PORTATA A 1450 RPM / *FLOW RATE AT 1450 RPM* : 15 l/min

PORTATA A 1740 RPM / *FLOW RATE AT 1740 RPM* : 18 l/min

POTENZA MASSIMA A 1450 RPM / *MAX POWER AT 1450 RPM* : 5.5 kW

POTENZA MASSIMA A 1740 RPM / *MAX POWER AT 1740 RPM* : 6.6 kW

PESO / *WEIGHT* : 42 kg



ELETTROPOMPA NMT1520R - 1.099-383.0 MOTORPUMP

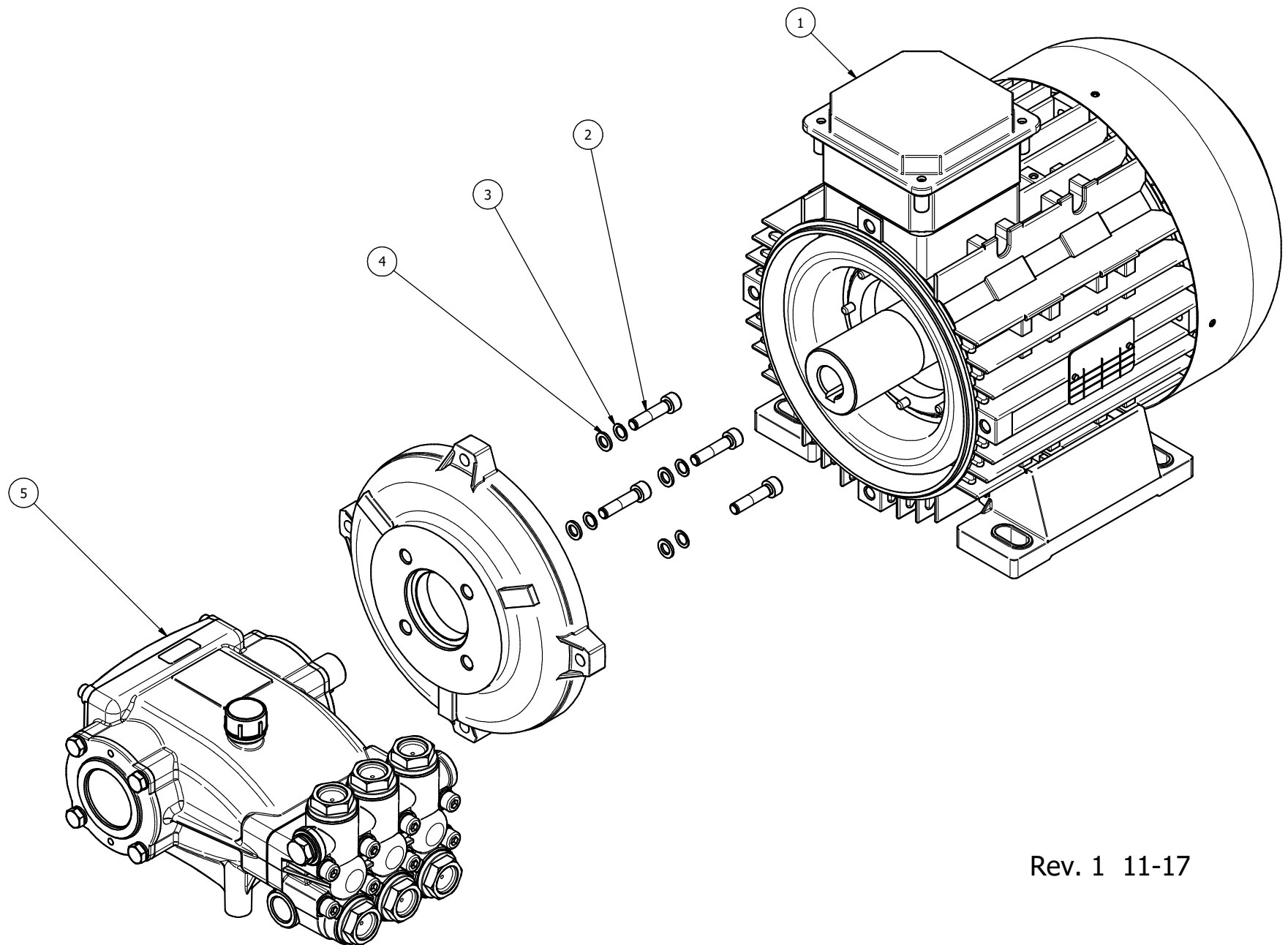
PARTS LIST

LISTA PARTI

<i>Pos.</i> Item	<i>Codice</i> Part Number	Description	<i>Descrizione</i>	<i>Q.tà</i> Q.ty
1	1.099-397.0	Electric Motor	<i>Motore Elettric</i>	1
2	9.851-470.0	Screw M8x30	<i>Vite TCEI M8x30</i>	4
3	9.851-152.0	Spring washer Ø8	<i>Rosetta elastica Ø8</i>	4
4	9.851-114.0	Washer Ø8.5	<i>Rosetta Ø8.5</i>	4
5	NMT1520R	Pump	<i>Pompa</i>	1

Elettropompa NMT2120R - 1.099-384.0 (610006)

Motorpump NMT2120R - 1.099-384.0 (610006)



Rev. 1 11-17

ELETTROPOMPA NMT2120R - 1.099-384.0 (610006) / *MOTORPUMP NMT2120R - 1.099-384.0 (610006)*

PRESSIONE MASSIMA / *MAX PRESSURE* : 190 BAR

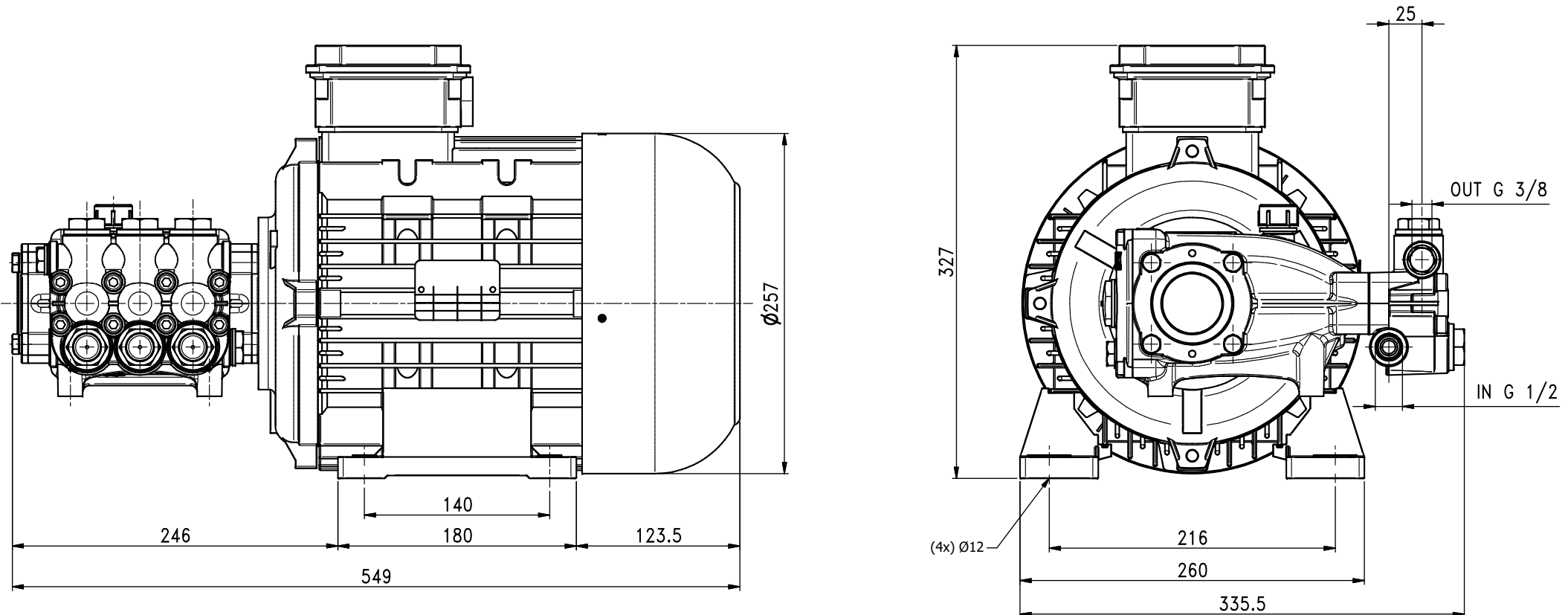
PORTATA A 1450 RPM / *FLOW RATE AT 1450 RPM* : 21 l/min

PORTATA A 1740 RPM / *FLOW RATE AT 1740 RPM* : 25 l/min

POTENZA MASSIMA A 1450 RPM / *MAX POWER AT 1450 RPM* : 7.5 kW

POTENZA MASSIMA A 1740 RPM / *MAX POWER AT 1740 RPM* : 9 kW

PESO / *WEIGHT* : 58 kg



Rev. 1 11-17

ELETTROPOMPA NMT2120R - 1.099-384.0 - 610006 MOTORPUMP

PARTS LIST

LISTA PARTI

<i>Pos.</i> Item	<i>Codice</i> Part Number	<i>Codice</i> Part Number	Description	<i>Descrizione</i>	<i>Q.tà</i> Q.ty
1	1.099-401.0	5800.11	Electric Motor	<i>Motore Elettrico</i>	1
2	9.851-463.0	1801.01	Screw M8x35	<i>Vite TCEI M8x35</i>	4
3	9.851-152.0	1401.03	Spring washer Ø8	<i>Rosetta elastica Ø8</i>	4
4	9.851-114.0	1400.01	Washer Ø8.5	<i>Rosetta Ø8.5</i>	4
5	1.099-057.0	NMT2120R	Pump	<i>Pompa</i>	1