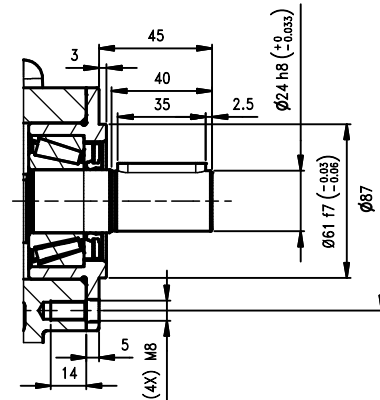
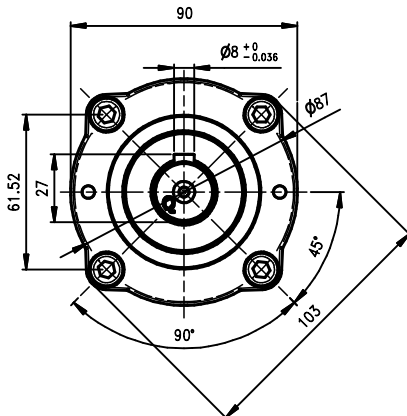
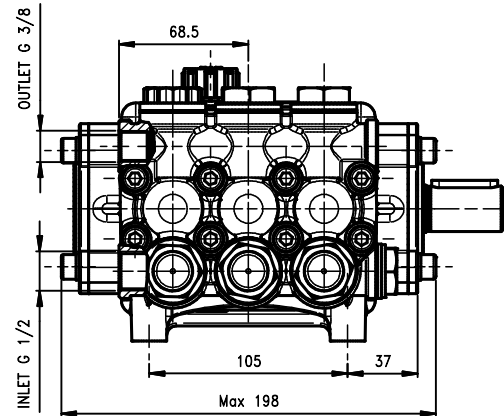
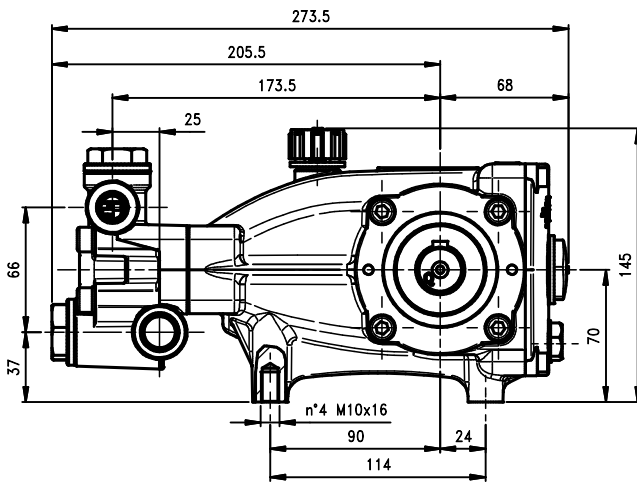
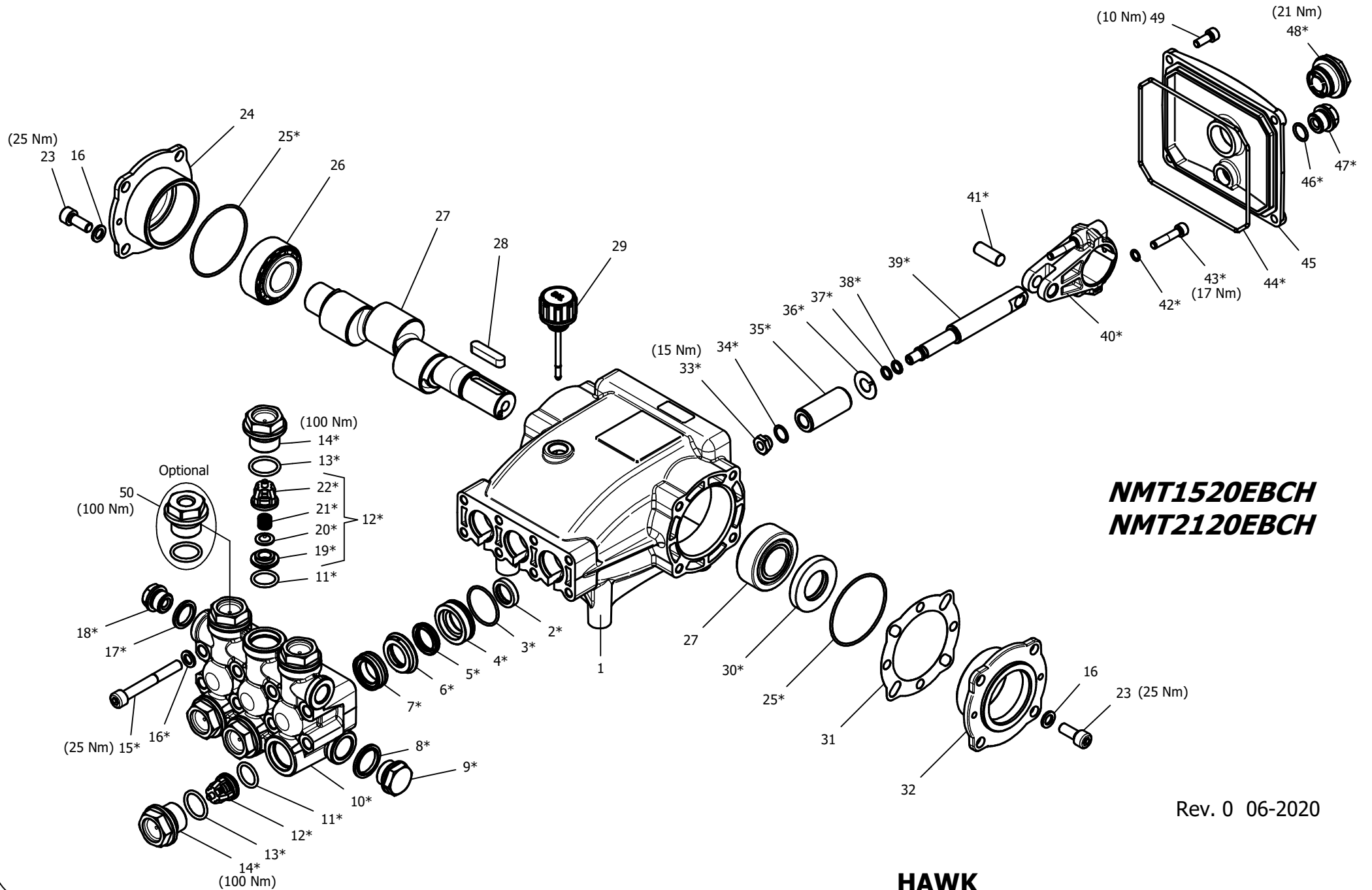


| Pump Pompa | Pressure Pressione | | Volume Portata | | | | RPM giri/min | | Power Potenza | | | |
|---------------|-----------------------|------|-------------------|-------|-------|-------|-----------------|-------|------------------|-------|-------|-------|
| | | | l/min | | GPM | | | | HP | | kW | |
| | bar | PSI | 50 Hz | 60 Hz | 50 Hz | 60 Hz | 50 Hz | 60 Hz | 50 Hz | 60 Hz | 50 Hz | 60 Hz |
| NMT1520EBCH | 200 | 3000 | 15.0 | 18.0 | 4.0 | 4.7 | 1450 | 1740 | 7.7 | 9.2 | 5.7 | 6.8 |
| NMT2120EBCH | 200 | 3000 | 21.0 | 25.0 | 5.5 | 6.6 | 1450 | 1740 | 10.7 | 12.8 | 7.9 | 9.4 |

Dimensioni d'ingombro

Overall dimensions





NMT1520EBCH
NMT2120EBCH

Rev. 0 06-2020

HAWK
Pompe NMT EBCH serie 2020
NMT EBCH Pumps 2020 series

NMT ECOBRASS CHEMICALS 2020 SERIES

ORDINARY MAINTENANCE KIT / KIT MANUTENZIONE ORDINARIA

| KIT | Item Pos. | Part Number Codice | Description | Descrizione | Q.TY by Pump Q.TA per Pompa | NMT1520EBCH | NMT2120EBCH |
|-----|----------------------------------|--------------------|--------------------------|-------------------------|--------------------------------|-------------|-------------|
| A | 3- 5- 7 | 1.904-811.0 | PLUNGER SEALS DIA. 20 mm | GUARNIZIONI PISTONE Ø20 | 1 | | |
| B | 11- 12- 13 (19- 20- 21 22) | 1.904-805.0 | COMPLETE VALVE | VALVOLA COMPLETA | 1 | • | • |

EXTRAORDINARY MAINTENANCE KIT / KIT MANUTENZIONE STRAORDINARIA

| KIT | Item Pos. | Part Number Codice | Description | Descrizione | Q.TY by Pump Q.TA per Pompa | NMT1520EBCH | NMT2120EBCH |
|-----|--|--------------------|-----------------------------------|--|--------------------------------|-------------|-------------|
| C | 3- 4- 5- 6- 7 | 1.904-810.0 | COMPLETE SEALS PACKING DIA. 20 mm | PACCO COMPLETO GUARNIZIONI PISTONE Ø20 | 1 | | |
| D | 33- 34- 35 36- 37- 38 | 1.904-829.0 | PLUNGER DIA. 20 mm | PISTONE Ø20 | 3 | | |
| E | 2 | 1.904-806.0 | PLUNGER OIL SEALS | ANELLI TENUTA OLIO ASTA | 1 | | |
| F | 25- 30- 44 46- 47- 48 | 1.905-542.0 | KIT CRANKCASE SEALS | KIT TENUTE CARTER | 1 | | |
| G | 3- 4- 5- 6- 7 8- 9- 10- 11 12- 13- 14 15- 16- 17 18 (19- 20 21- 22) | 1.904-807.0 | COMPLETE MANIFOLD | TESTATA COMPLETA | 1 | • | • |
| H | 33- 34- 37 38- 39- 40 41- 42- 43 | 1.905-581.0 | CONNECTING ROD PLUNGER ROD ASSY | PREMONTATO ASTA-BIELLA PISTONE | 3 | | |
| I | 13- 14 | 1.904-808.0 | VALVE PLUG ASSY | PREMONTATO TAPPO VAM | 6 | | |

“Q.TY by Pump” => Necessary quantity to repair one pump
 “Q.TA’ per Pompa” => Quantità necessaria per riparare una pompa

OPTIONAL

| Item Pos. | Part Number Codice | Description | Descrizione | Q.TY by Pump Q.TA per Pompa | NMT1520EBCH | NMT2120EBCH |
|-----------|--------------------|--------------------------|-------------------------|--------------------------------|-------------|-------------|
| 50 | 1.904-809.0 | THREADED BRASS PLUG G1/4 | PREMONTATO TAPPO FORATO | 1 | • | • |

TOOL KIT

| Part Number Codice | Description | Descrizione | Q.TY by Pump Q.TA per Pompa | NMT1520EBCH | NMT2120EBCH |
|--------------------|-----------------------------|------------------------------|--------------------------------|-------------|-------------|
| 1.099-667.0 | TOOL-KIT | TOOL-KIT | 1 | • | • |
| 1.904-414.0 | OIL SEAL EXTRACTOR TOOL-KIT | TOOL-KIT ESTRAZIONE PARAOLIO | 1 | | |

IMPORTANT

IMPORTANTE

* **Part available ONLY in kit**
Disponibile SOLO in kit

(...) **Parts pre-assembled**
Parti pre-assemblate

PARTS LIST LISTA PARTI

| Item Pos | Part Number Codice | Description | Descrizione | KIT | Q.TY Q.TÀ | NMT1520EBCH | NMT2120EBCH |
|----------|--------------------|--|----------------------------|-------|--------------|-------------|-------------|
| 1 | 9.851-881.0 | RED CRANKCASE | CARTER ROSSO | | 1 | | |
| 2* | | PLUNGER OIL SEAL FKM | ANELLO RADIALE FKM | E | 3 | | |
| 3* | | "O" RING Ø1.78X31.47 FKM | "O" RING Ø1.78X31.47 FKM | A-C-G | 3 | | |
| 4* | | STAINLESS STEEL PRESSURE RING 20MM | PRESSORE "U" Ø20 INOX | C-G | 3 | | |
| 5* | | LOW PRESSURE "U" SEAL, DIA.20MM | ANELLO TENUTA "U" Ø20 | A-C-G | 3 | | |
| 6* | | STAINLESS STEEL INTERMED. RING 20MM | DIFFUSORE INTER. Ø20 INOX | C-G | 3 | | |
| 7* | | HIGH PRESSURE "U" SEAL, DIA.20MM | ANELLO TENUTA "U" Ø20 | A-C-G | 3 | | |
| 8* | | BONDED SEAL G1/2 STAINLESS STEEL | BONDED SEAL G 1/2 INOX | G | 1 | | |
| 9* | | ECOBASS PLUG G1/2 | TAPPO G1/2 ECOBRASS | G | 1 | | |
| 10* | | ECOBASS MANIFOLD HOUSING | TESTATA ECOBRASS | G | 1 | | |
| 11* | | "O" RING Ø2.62X17.13 FKM | "O" RING Ø2.62X17.13 FKM | B-G | 6 | | |
| 12* | | VALVE ASSEMBLY | VALVOLA PREMONTATA | B-G | 6 | | |
| 13* | | "O" RING Ø2.62X20.29 FKM | "O" RING Ø2.62X20.29 FKM | B-G-I | 6 | | |
| 14* | | ECOBASS VALVE PLUG | TAPPO VALVOLA ECOBRASS | G-I | 6 | | |
| 15* | | MANIFOLD STUD BOLT STAINLESS STEEL | VITE TCEI M8X65 INOX A2 70 | G | 8 | | |
| 16* | | WASHER Ø8,5 STAINLESS STEEL | ROSETTA Ø8.5 INOX | G | 16 | | |
| 17* | | BONDED SEAL G3/8 STAINLESS STEEL | BONDED SEAL G 3/8 INOX | G | 1 | | |
| 18* | | ECOBASS PLUG G3/8 | TAPPO G3/8 ECOBRASS | G | 2 | | |
| 19* | | VALVE SEAT | SEDE VALVOLA | B-G | 6 | | |
| 20* | | VALVE PLATE | PIATTELLO VALVOLA | B-G | 6 | | |
| 21* | | VALVE SPRING | MOLLA VALVOLA | B-G | 6 | | |
| 22* | | VALVE CAGE | GABBIA VALVOLA | B-G | 6 | | |
| 23 | 9.851-476.0 | HEX SOCKET SCREW M8X20 STAINLESS STEEL | VITE TCEI M8X20 INOX A2 70 | | 8 | | |
| 24 | 9.850-639.0 | RED CLOSED BEARING HOUSING | FLANGIA CHIUSA RED | | 1 | | |
| 25* | | "O" RING Ø1.78X60.05 | "O" RING Ø1.78X60.05 | F | 2 | | |
| 26 | 9.850-349.0 | ROLLER BEARING 33205 | CUSCINETTO A RULLI 33205 | | 2 | | |
| 27 | 9.850-177.0 | SINGLE - ENDED SHAFT | ALBERO SEMPLICE P.D.F. | | 1 | | |
| | 9.850-179.0 | SINGLE - ENDED SHAFT | ALBERO SEMPLICE P.D.F. | | 1 | | |
| 28 | 9.850-446.0 | CRANKSHAFT KEY | CHIAVETTA | | 1 | | |
| 29 | 9.851-286.0 | OIL DIP STICK | TAPPO LIVELLO OLIO | | 1 | | |
| 30* | | CRANKSHAFT SEAL | ANELLO RADIALE | F | 1 | | |
| 31 | 9.850-547.0 | SHIM | DISTANZIALE | | 1 | | |
| 32 | 9.850-638.0 | RED BEARING HOUSING | FLANGIA ROSSA | | 1 | | |
| 33* | | PLUNGER NUT STAINLESS STEEL | DADO PISTONE INOX | D-H | 3 | | |
| 34* | | SPACER Ø 11.2/15X0.5 STAINLESS STEEL | ROSETTA Ø 1.2/15X0.5 INOX | D-H | 3 | | |
| 35* | | PLUNGER 20MM | PISTONE Ø20 | D | 3 | | |
| 36* | | SPACER Ø 11.3/24X0.5 STAINLEES STEEL | ROSETTA Ø 1.3/24X0.5 INOX | D | 3 | | |

| Item Pos | Part Number Codice | Description | Descrizione | KIT | Q.TY Q.TA | NMT1520EBCH | NMT2120EBCH |
|----------|--------------------|-----------------------------------|------------------------|-----|--------------|-------------|-------------|
| 37* | | "O" RING Ø1.78X7.66 | "O" RING Ø1.78X7.66 | D-H | 3 | | |
| 38* | | TEFLON RING | ANELLO ANTIESTRUSIONE | D-H | 3 | | |
| 39* | | PLUNGER ROD STAINLESS STEEL | ASTA PISTONE INOX | H | 3 | | |
| 40* | | CONNECTING ROD | BIELLA | H | 3 | | |
| 41* | | CONNECTING ROD PIN | SPINOTTO | H | 3 | | |
| 42* | | SPRING WASHER Ø6 | ROSETTA ELASTICA Ø6 | H | 6 | | |
| 43* | | CONNECTING ROD SCREW M6X30 | VITE M6X30 | H | 6 | • | • |
| 44* | | "O" RING Ø 2.62X126.67 | "O" RING Ø 2.62X126.67 | F | 1 | | |
| 45 | 9.853-776.0 | RED CRANKCASE COVER | COPERCHIO ROSSO | | 1 | | |
| 46* | | "O" RING Ø1.78X14 | "O" RING Ø1.78X14 | F | 1 | | |
| 47* | | BRASS PLUG G 3/8 | TAPPO G 3/8 | F | 1 | | |
| 48* | | SIGHT GLASS, G3/4 | SPIA LIVELLO OLIO G3/4 | F | 1 | | |
| 49 | 9.851-475.0 | COVER SCREW M6X16 STAINLESS STEEL | VITE M6X16 INOX A2 70 | | 4 | | |