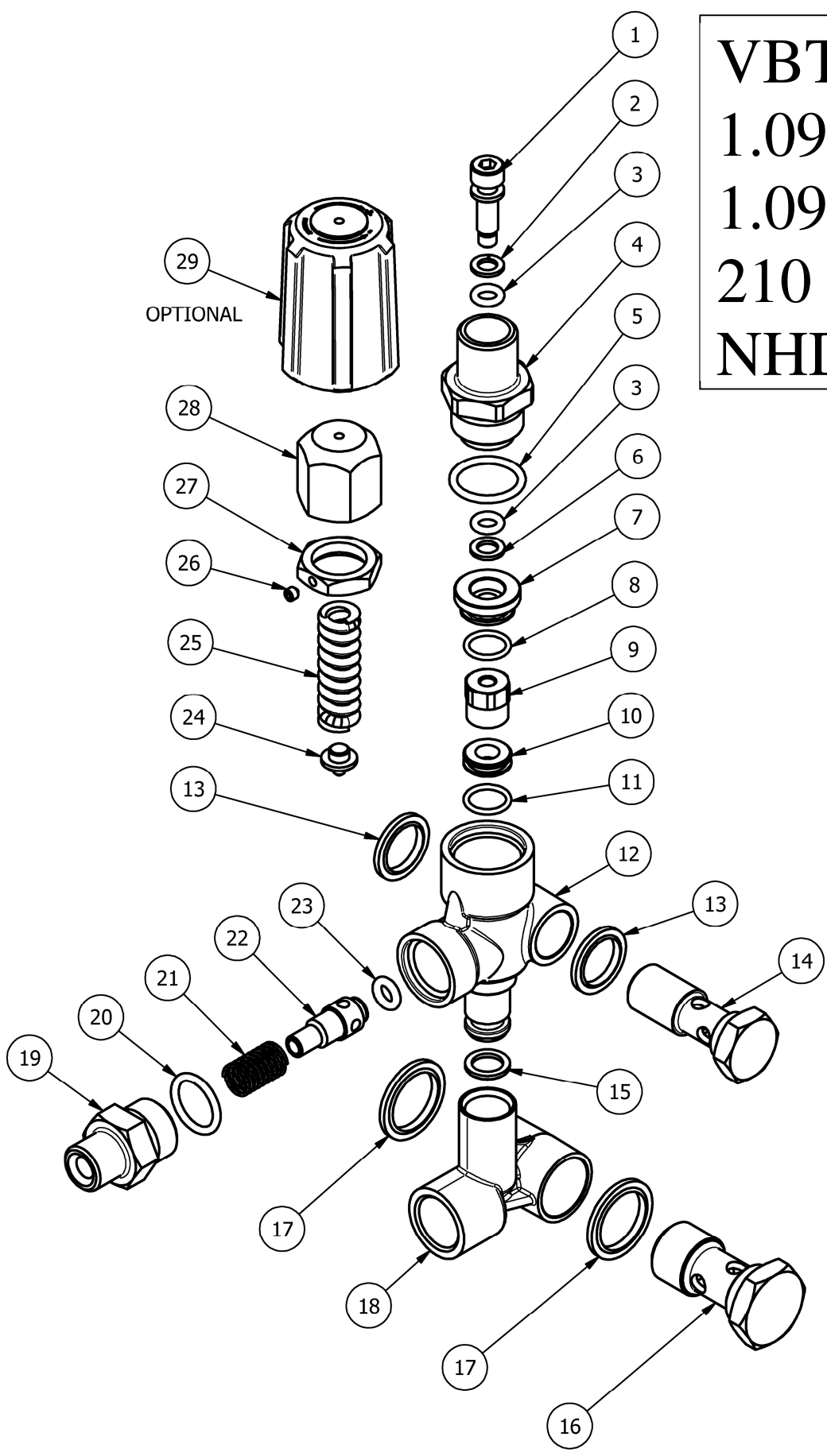


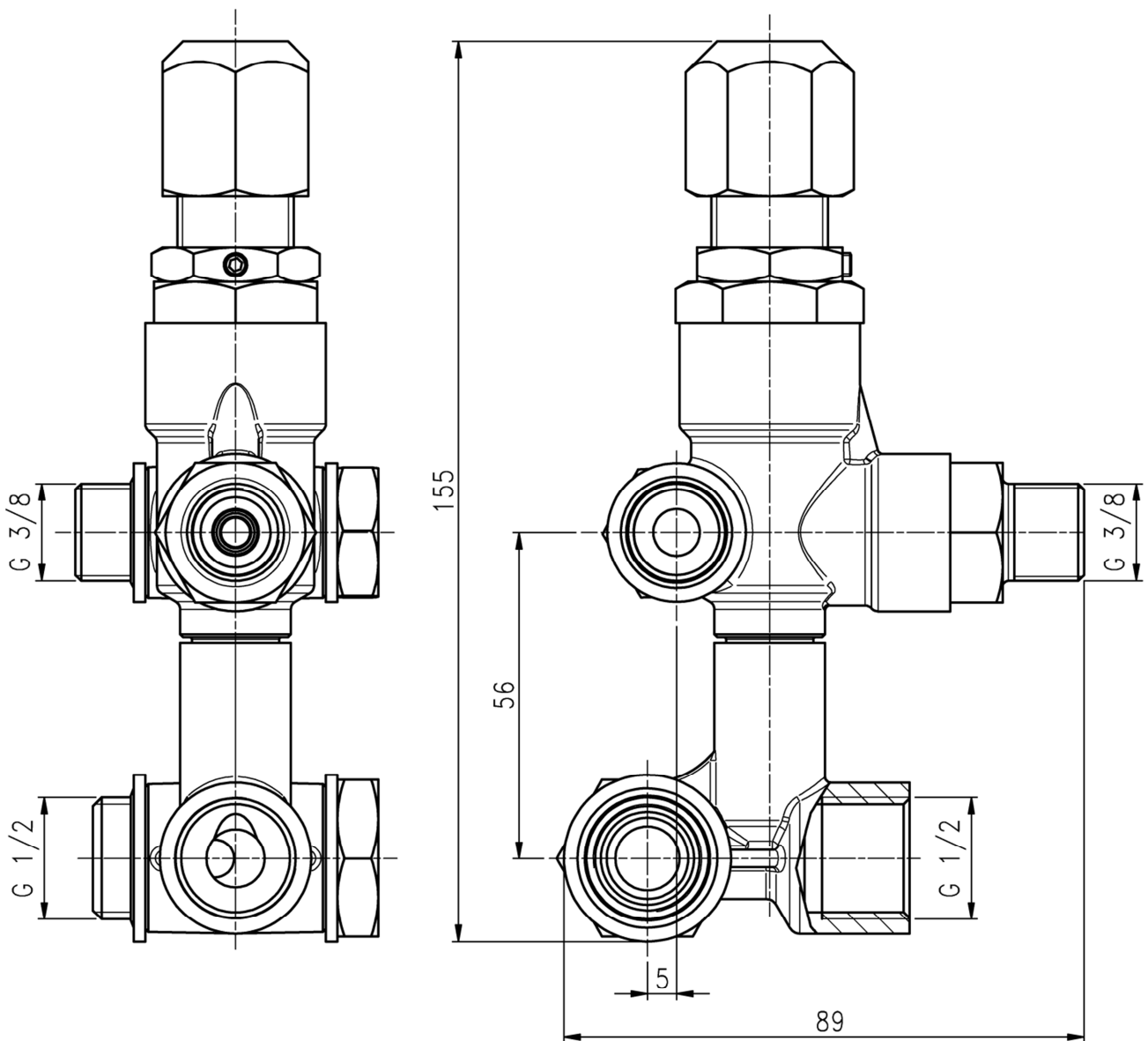
VBT
1.099-396.0
1.099-485.0
210 BAR
NHD



Codice Part No.	Pressione Max Max Pressure		Portata Flow rate		Temp. Max Max Temp. °C	Inlet Port Entrata	Outlet Port Uscita	For pump series Per pompe serie
	bar	PSI	l/min	GPM				
1.099-396.0	210	3000	25	6.6	65	G1/2" F	G3/8" M	NHD
1.099-485.0	210	3000	25	6.6	65	G1/2" F	G3/8" M	NHD

DIMENSIONI D'INGOMBRO

OVERALL DIMENSIONS



SPARE PARTS KIT

KIT RICAMBI

Codice Code	Descrizione/Description		Q.tà Q.ty	1.099-396.0	1.099-485.0
	#	Componente / Parts			
1.099-960.0		Kit completo O-ring / Kit repair O-rign	1	*	*
	2	9.850-270.0	1	*	*
	3	9.850-709.0	2	*	*
	5	9.850-705.0	1	*	*
	6	9.850-271.0	1	*	*
	8	9.850-668.0	1	*	*
	11	9.850-691.0	1	*	*
	15	9.850-720.0	1	*	*
	20	9.850-673.0	1	*	*
	23	9.850-722.0	1	*	*
1.099-961.0		Kit Uscita / Kit Outlet	1	*	*
	20	9.850-673.0	1	*	*
	21	9.850-873.0	1	*	*
	22	9.850-957.0	1	*	*
	23	9.850-722.0	1	*	*
1.099-943.0		Kit Asta / Kit repair Stem	1	*	*
	1	9.851-088.0	1	*	*
	9	1.099-729.0	1	*	*
	10	9.851-224.0	1	*	*
	11	9.850-691.0	1	*	*
	24	9.851-064.0	1	*	*
	25	9.850-880.0	1	*	*

SPARE PARTS

LISTA RICAMBI

#	Q.TA' Q.TY	CODICE PART NO.	DESCRIZIONE	DESCRIPTION	1.099-396.0	1.099-485.0
1	1	9.851-088.0	PISTONE	STEM	*	*
2	1	9.850-270.0	ANELLO ANTIESTRUSIONE	BACK RING	*	*
3	2	9.850-709.0	O-RING Ø2,62x6,02	O-RING Ø2,62x6,02	*	*
4	1	9.851-169.0	RACCORDO GUIDA ASTA	CONNECTOR	*	*
5	1	9.850-705.0	O-RING Ø2,62x20,24	O-RING Ø2,62x20,24	*	*
6	1	9.850-271.0	ANELLO ANTIESTRUSIONE	BACK RING	*	*
7	1	9.850-322.0	BUSSOLA	GUIDE BUSHING	*	*
8	1	9.850-668.0	O-RING Ø1,78x14	O-RING Ø1,78x14	*	*
9	1	1.099-729.0	PREMONTATO SFERA	BALL SUB-ASSY	*	*
10	1	9.851-224.0	SEDE	SEAT	*	*
11	1	9.850-691.0	O-RING Ø1,78x12,42	O-RING Ø1,78x12,42	*	*
12	1	9.850-430.0	CORPO VALVOLA	VALVE BODY	*	*
13	1	9.851-188.0	RONDELLA TENUTA 3/8	SEAL WASHER 3/8	*	*
14	1	9.851-446.0	VITE CAVA 3/8	HOLLOW BOLT 3/8		*
	1	9.851-461.0	VITE CAVA OTTONE 3/8	BRASS HOLLOW BOLT 3/8	*	
15	1	9.850-720.0	O-RING Ø2,62x10,78	O-RING Ø2,62x10,78	*	*
16	1	9.851-449.0	VITE CAVA 1/2	HOLLOW BOLT 1/2		*
	1	9.851-462.0	VITE CAVA OTTONE 1/2	BRASS HOLLOW BOLT 1/2	*	
17	1	9.851-189.0	RONDELLA TENUTA 1/2	SEAL WASHER 1/2	*	*
18	1	9.850-456.0	COLLETTORE BY-PASS	BY-PASS MANIFOLD	*	*
19	1	9.851-170.0	RACCORDO USCITA	OUTLET CONNECTOR	*	*
20	1	9.850-673.0	O-RING Ø2,62x17,13	O-RING Ø2,62x17,13	*	*
21	1	9.850-873.0	MOLLA OTTURATORE	POPPET SPRING	*	*
22	1	9.850-957.0	OTTURATORE	POPPET	*	*
23	1	9.850-722.0	O-RING Ø3x6	O-RING Ø3x6	*	*
24	1	9.851-064.0	PIATTELLO	PLATE	*	*
25	1	9.850-880.0	MOLLA	SPRING	*	*
26	1	9.851-522.0	VITE STEI M4x4	SET SCREW	*	*
27	1	9.850-562.0	DADO	NUT	*	*
28	1	9.850-899.0	MANOPOLA	HANDLE	*	*
29	1	9.850-900.0	MANOPOLA PLASTICA (OPTIONAL)	PLASTIC HANDLE (OPTIONAL)	*	*