

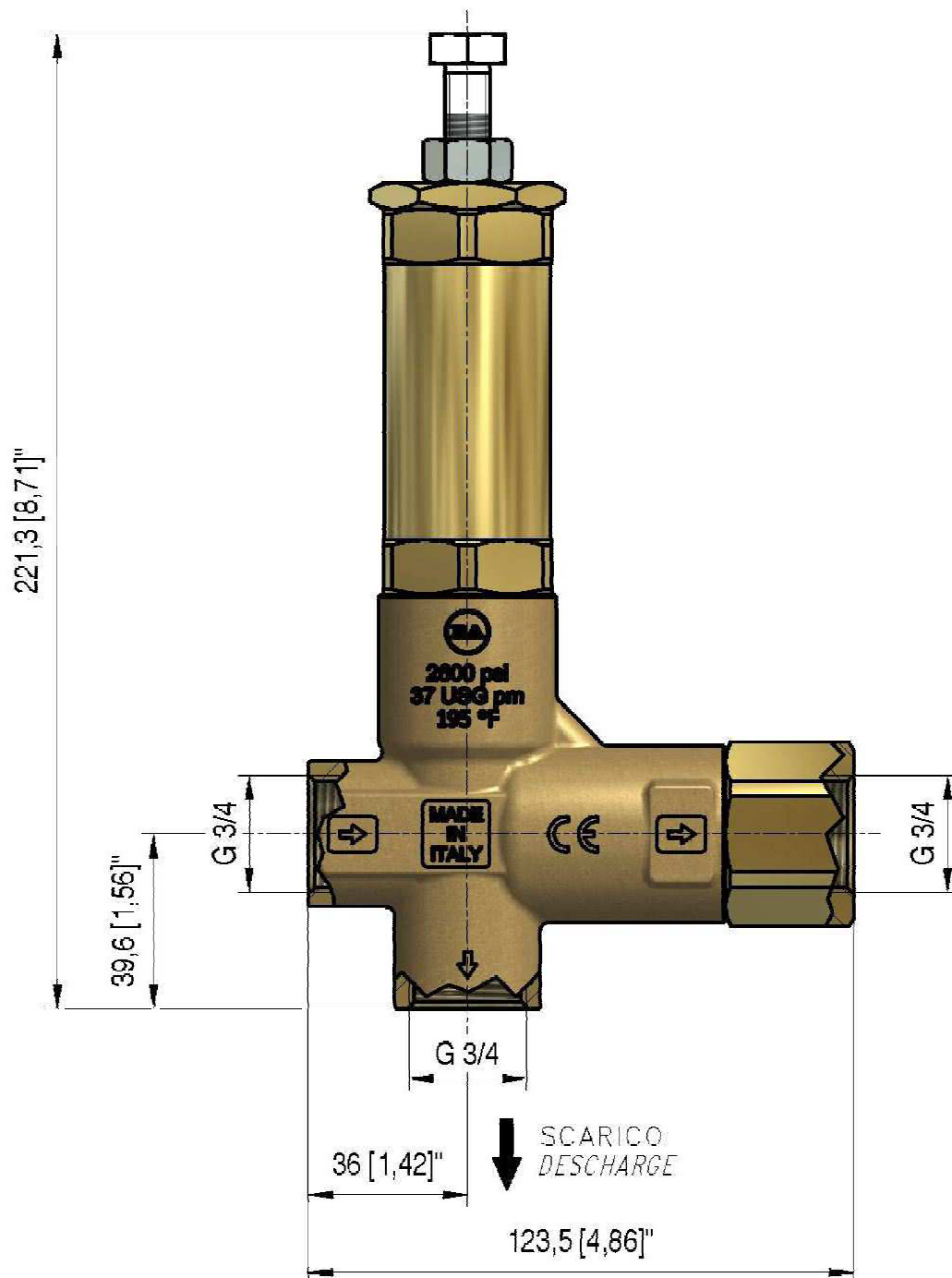
CARATTERISTICHE TECNICHE

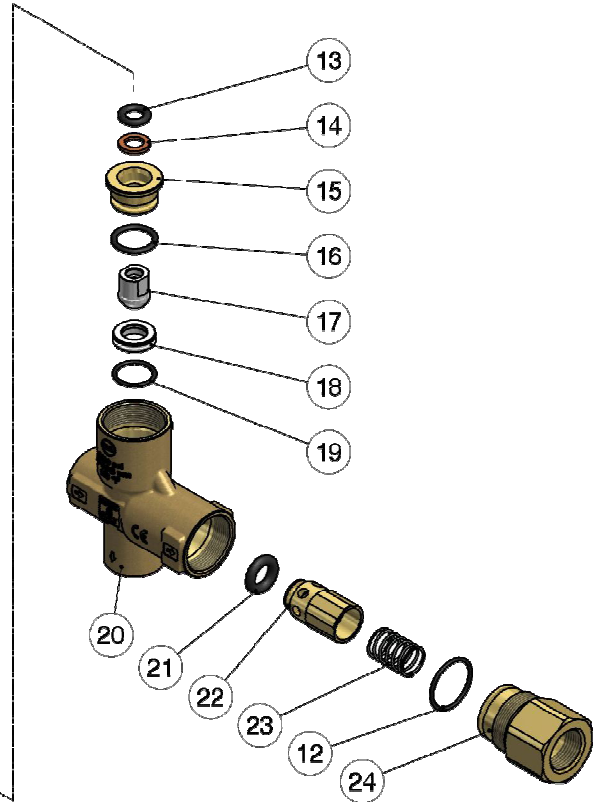
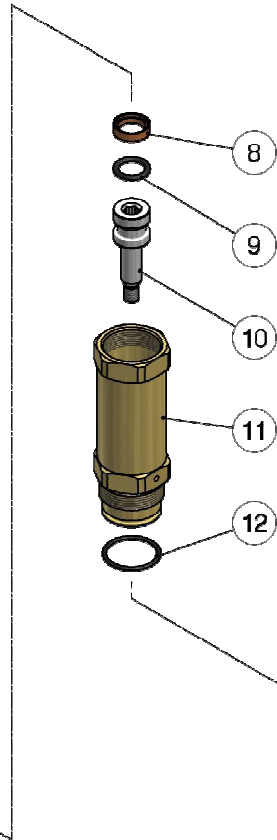
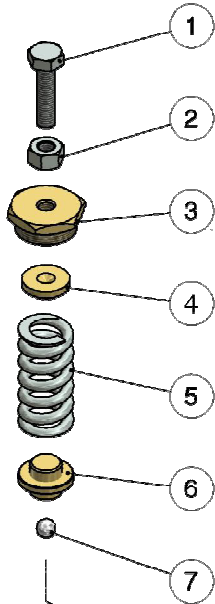
TECHNICAL CHARACTERISTICS

Codice Part No.	Pressione Max Max Pressure		Portata Flow rate		Temp. Max Max Temp.	Inlet Port Entrata	Outlet Port Uscita	By-pass
	bar	PSI	l/min	GPM	°C			
1.904-268.0	160	2300	140	37	90	G3/4" F	G3/4" F	G3/4" F

DIMENSIONI D'INGOMBRO

OVERALL DIMENSIONS





SPARE PARTS KIT

KIT RICAMBIO

CODICE CODE	POS.	Q.TA' Q.TY
1.904-922.0	8	1
	9	1
	12	2
	13	1
	14	1
	16	1
	17	1
	18	1
	19	1
	21	1