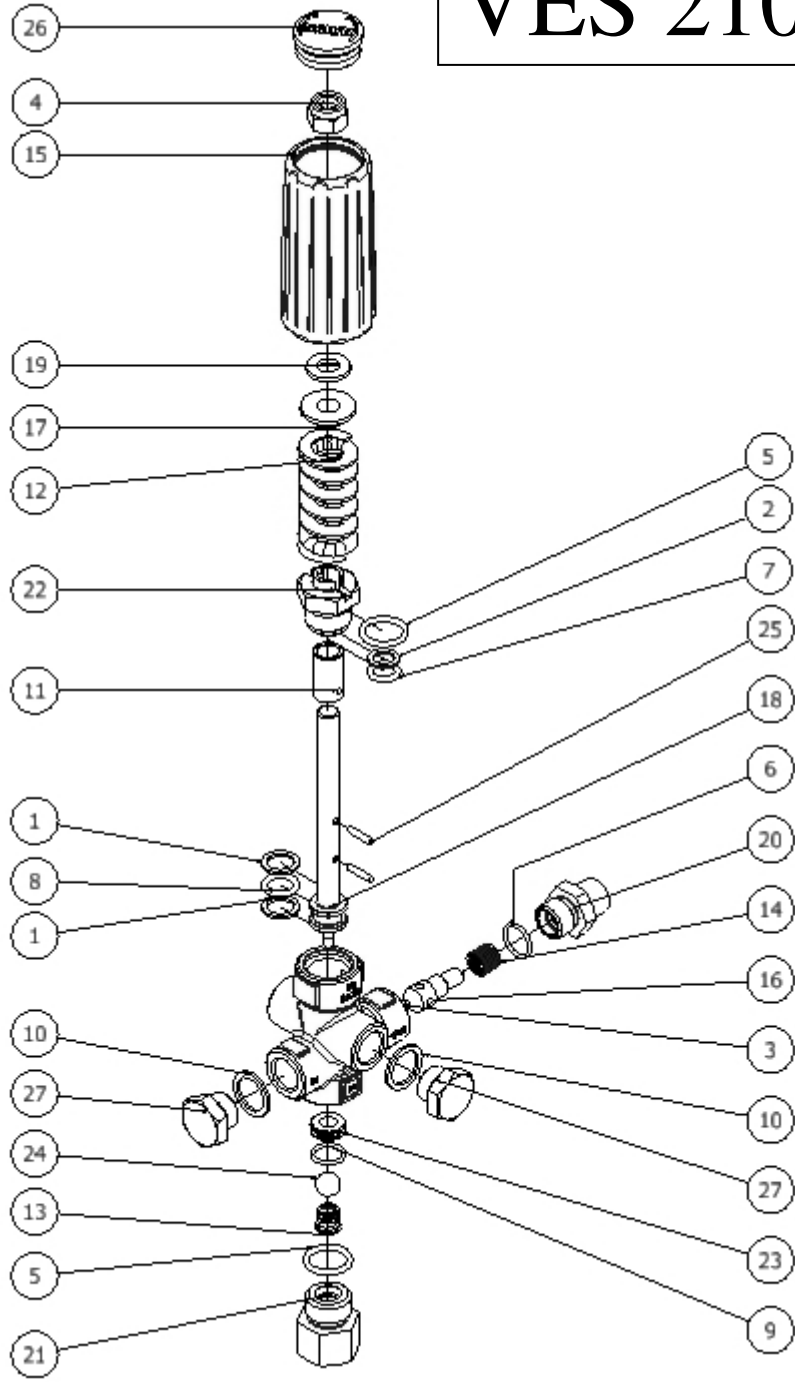


1.099-482.0  
VES 210 BAR



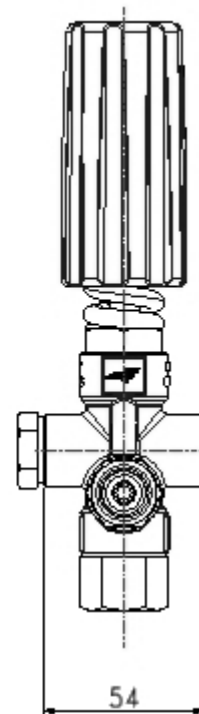
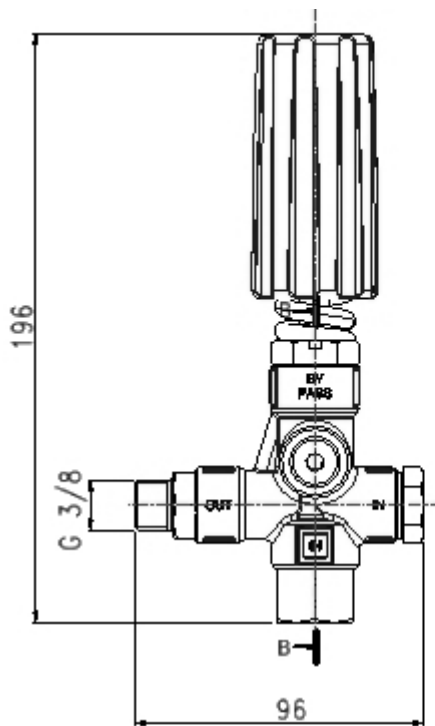
CARATTERISTICHE TECNICHE

TECHNICAL CHARACTERISTICS

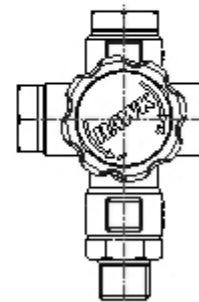
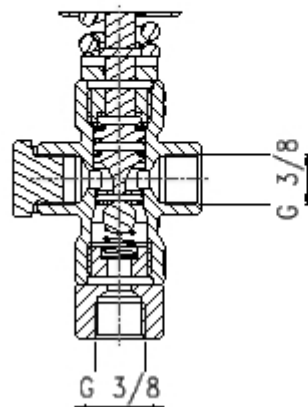
| Modello | Pressione Max<br>Max Pressure |      | Portata<br>Flow rate |     | Temp. Max<br>Max Temp. | Inlet Port<br>Entrata | Outlet Port<br>Uscita | By-pass    |
|---------|-------------------------------|------|----------------------|-----|------------------------|-----------------------|-----------------------|------------|
|         | bar                           | PSI  | l/min                | GPM | °C                     |                       |                       |            |
| VES 210 | 210                           | 3000 | 25                   | 6.6 | 65                     | G3/8"                 | G3/8"                 | 2x G3/8" F |

DIMENSIONI D'INGOMBRO

OVERALL DIMENSIONS



SEZIONE B-B



Rev. 1 01-18

SPARE PARTS

LISTA RICAMBI

| #  | Q.TA'<br>Q.TY | CODICE      | DESCRIZIONE                | DESCRIPTION                | MODELLO<br>VES 210 |
|----|---------------|-------------|----------------------------|----------------------------|--------------------|
| 1  | 2             | 9.850-261.0 | ANELLO ANTIESTR.           | BACK RING                  | ◆                  |
| 2  | 1             | 9.850-281.0 | ANELLO ANTIESTR.           | BACK RING                  | ◆                  |
| 3  | 1             | 9.850-425.0 | CORPO VALVOLA              | BODY                       | ◆                  |
| 4  | 1             | 9.850-582.0 | DADO M10 INOX              | STAINLESS STEEL NUT M10    | ◆                  |
| 5  | 2             | 9.850-677.0 | OR Ø2,62x17.13 90Sh        | OR Ø2,62x17.13 90Sh        | ◆                  |
| 6  | 1             | 9.850-686.0 | OR Ø1.78x14 90Sh           | OR Ø1.78x14 90Sh           | ◆                  |
| 7  | 1             | 9.850-688.0 | OR Ø2.62x9.92 90Sh         | OR Ø2.62x9.92 90Sh         | ◆                  |
| 8  | 1             | 9.850-689.0 | OR Ø2.62x11.91 HNBR 90IRHD | OR Ø2.62x11.91 HNBR 90IRHD | ◆                  |
| 9  | 1             | 9.850-692.0 | OR Ø1.78x12.42 NBR 90Sh    | OR Ø1.78x12.42 NBR 90Sh    | ◆                  |
| 10 | 2             | 9.850-747.0 | GUARNIZIONE RAME           | COPPER SPACER              | ◆                  |
| 11 | 1             | 9.850-867.0 | LIMITATORE ROSSO           | RED SPACER                 | ◆                  |
| 12 | 1             | 9.850-877.0 | MOLLA                      | SPRING                     | ◆                  |
| 13 | 1             | 9.850-890.0 | MOLLA CONICA INOX          | SPRING                     | ◆                  |
| 14 | 1             | 9.853-082.0 | MOLLA OTTURATORE           | SPRING POPPET              | ◆                  |
| 15 | 1             | 9.850-906.0 | MANOPOLA VALVOLA           | HANDLE                     | ◆                  |
| 16 | 1             | 9.850-951.0 | OTTURATORE                 | POPPET                     | ◆                  |
| 17 | 1             | 9.851-063.0 | PIATTELLO MOLLA            | PLATE                      | ◆                  |
| 18 | 1             | 9.851-096.0 | ASTA GUIDA INOX            | STEM                       | ◆                  |
| 19 | 1             | 9.851-127.0 | ROSETTA ANTIFRIZIONE       | WASHER                     | ◆                  |
| 20 | 1             | 9.851-183.0 | RACCORDO                   | CONNECTOR                  | ◆                  |
| 21 | 1             | 9.851-184.0 | RACCORDO                   | CONNECTOR                  | ◆                  |
| 22 | 1             | 9.851-185.0 | RACCORDO                   | CONNECTOR                  | ◆                  |
| 23 | 1             | 9.851-224.0 | SEDE VALVOLA               | SEAT                       | ◆                  |
| 24 | 1             | 9.851-252.0 | SFERA                      | BALL                       | ◆                  |
| 25 | 2             | 9.851-253.0 | SPINA ELASTICA             | PIN                        | ◆                  |
| 26 | 1             | 9.851-289.0 | TAPPO MANOPOLA             | CAP HANDLE                 | ◆                  |
| 27 | 2             | 9.851-327.0 | TAPPO INOX                 | CAP STAINLESS STEEL        | ◆                  |

SPARE PARTS KIT

KIT RICAMBI

| Codice<br>Code | Descrizione/Description |                                       | Q.tà |
|----------------|-------------------------|---------------------------------------|------|
|                | #                       | Componente / Parts                    | Q.ty |
| 1.099-962.0    |                         | Kit Ritegno / Kit Outlet              | 1    |
|                | 6                       | 9.850-686.0                           | 1    |
|                | 14                      | 9.853-082.0                           | 1    |
|                | 16                      | 9.850-951.0                           | 1    |
| 1.904-228.0    |                         | Kit Entrata / Kit Inlet               | 1    |
|                | 5                       | 9.850-677.0                           | 1    |
|                | 9                       | 9.850-692.0                           | 1    |
|                | 13                      | 9.850-890.0                           | 1    |
|                | 23                      | 9.851-224.0                           | 1    |
| 1.904-229.0    |                         | Kit guarnizioni asta / Kit stem seals | 1    |
|                | 1                       | 9.850-261.0                           | 2    |
|                | 2                       | 9.850-281.0                           | 1    |
|                | 5                       | 9.850-677.0                           | 1    |
|                | 7                       | 9.850-688.0                           | 1    |
|                | 8                       | 9.850-689.0                           | 1    |
|                | 25                      | 9.851-253.0                           | 2    |
| 1.905-625.0    |                         | Kit asta / Kit stem                   | 1    |
|                | 12                      | 9.850-877.0                           | 1    |
|                | 17                      | 9.851-063.0                           | 1    |
|                | 18                      | 9.851-096.0                           | 1    |
|                | 19                      | 9.851-127.0                           | 1    |
|                | 22                      | 9.851-185.0                           | 1    |