

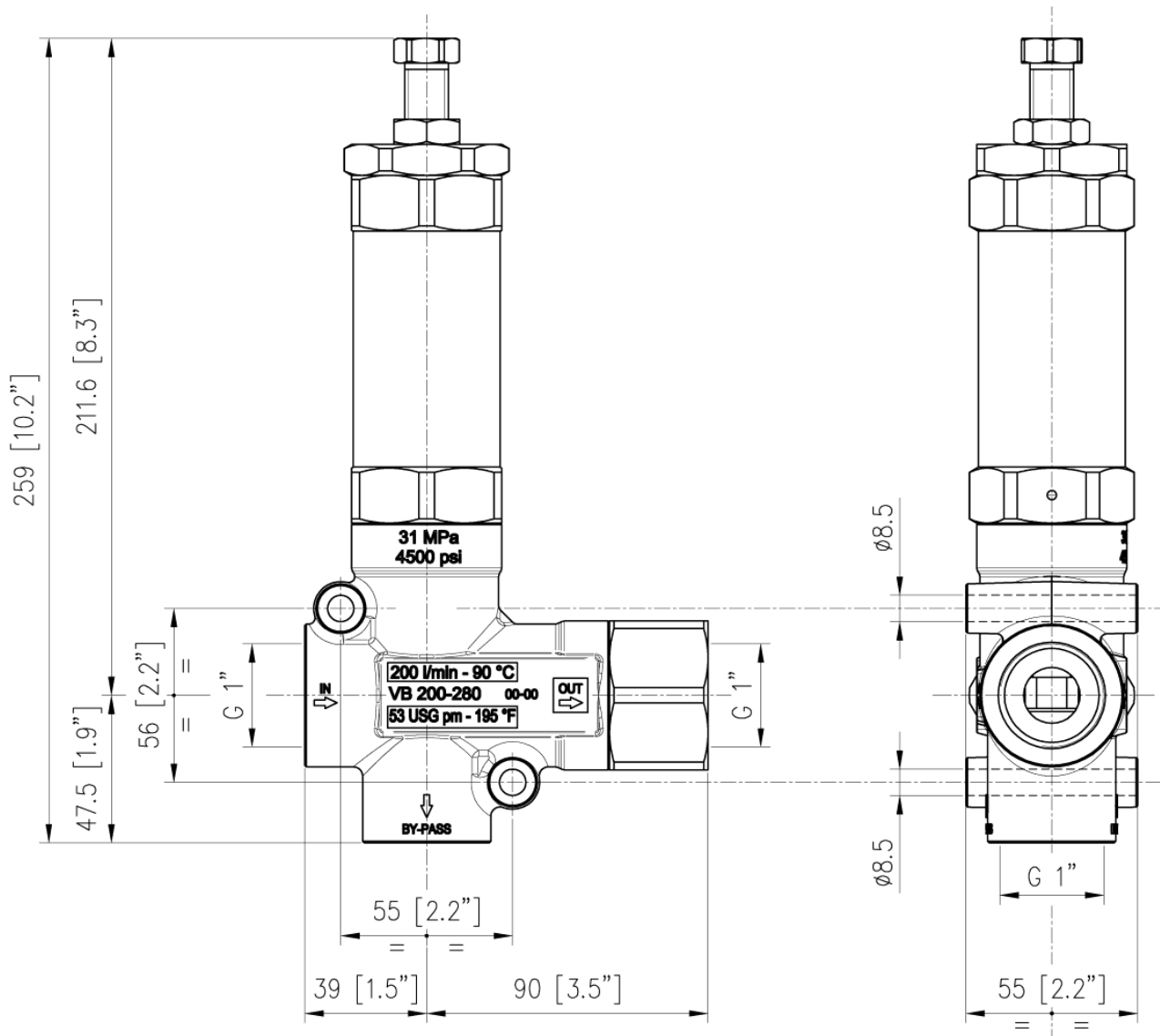
CARATTERISTICHE TECNICHE

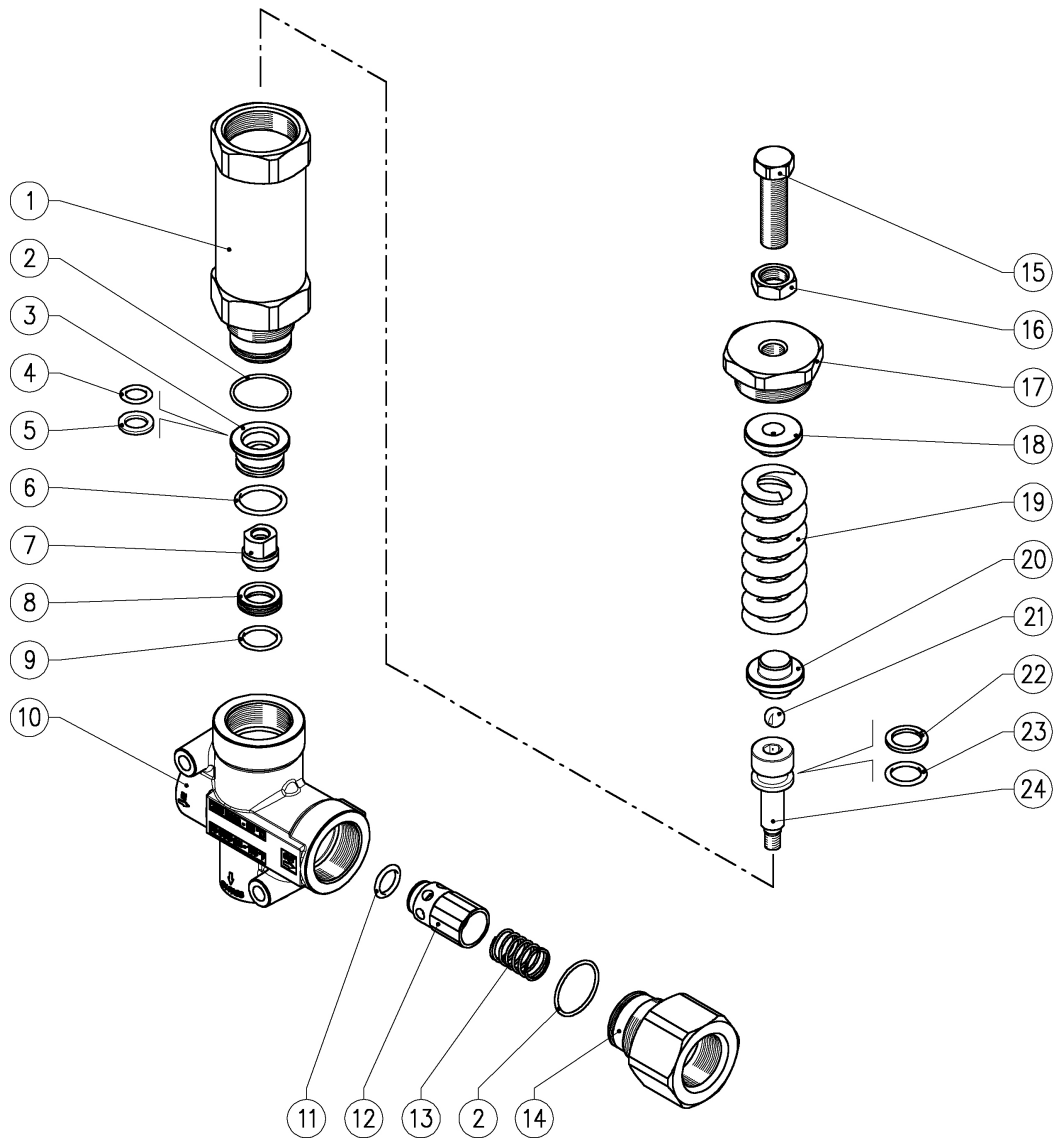
TECHNICAL CHARACTERISTICS

Codice Part No.	Pressione Max Max Pressure		Portata Flow rate		Temp. Max Max Temp.	Inlet Port Entrata	Outlet Port Uscita	By-pass
	bar	PSI	l/min	GPM	°C			
9.853-301.0	280	4050	200	53	90	G1" F	G1" F	G1" F

DIMENSIONI D'INGOMBRO

OVERALL DIMENSIONS





SPARE PARTS KITS

KIT RICAMBI

CODICE CODE	POS.	Q.TA' Q.TY
1.904-942.0	2	1
	4	1
	5	1
	6	1
	7	1
	8	1
	9	1
	11	1
	22	1
	23	1