

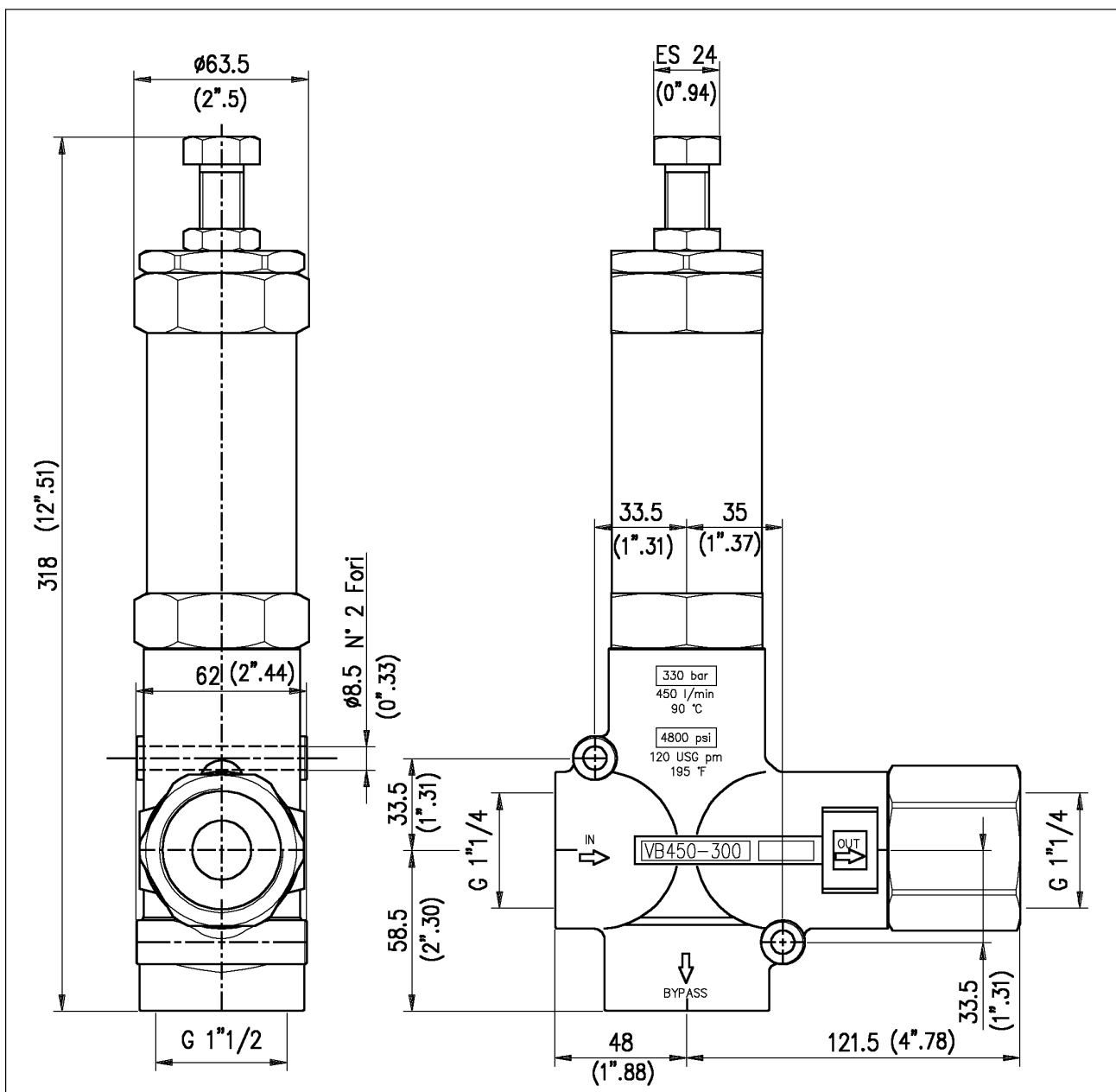
## CARATTERISTICHE TECNICHE

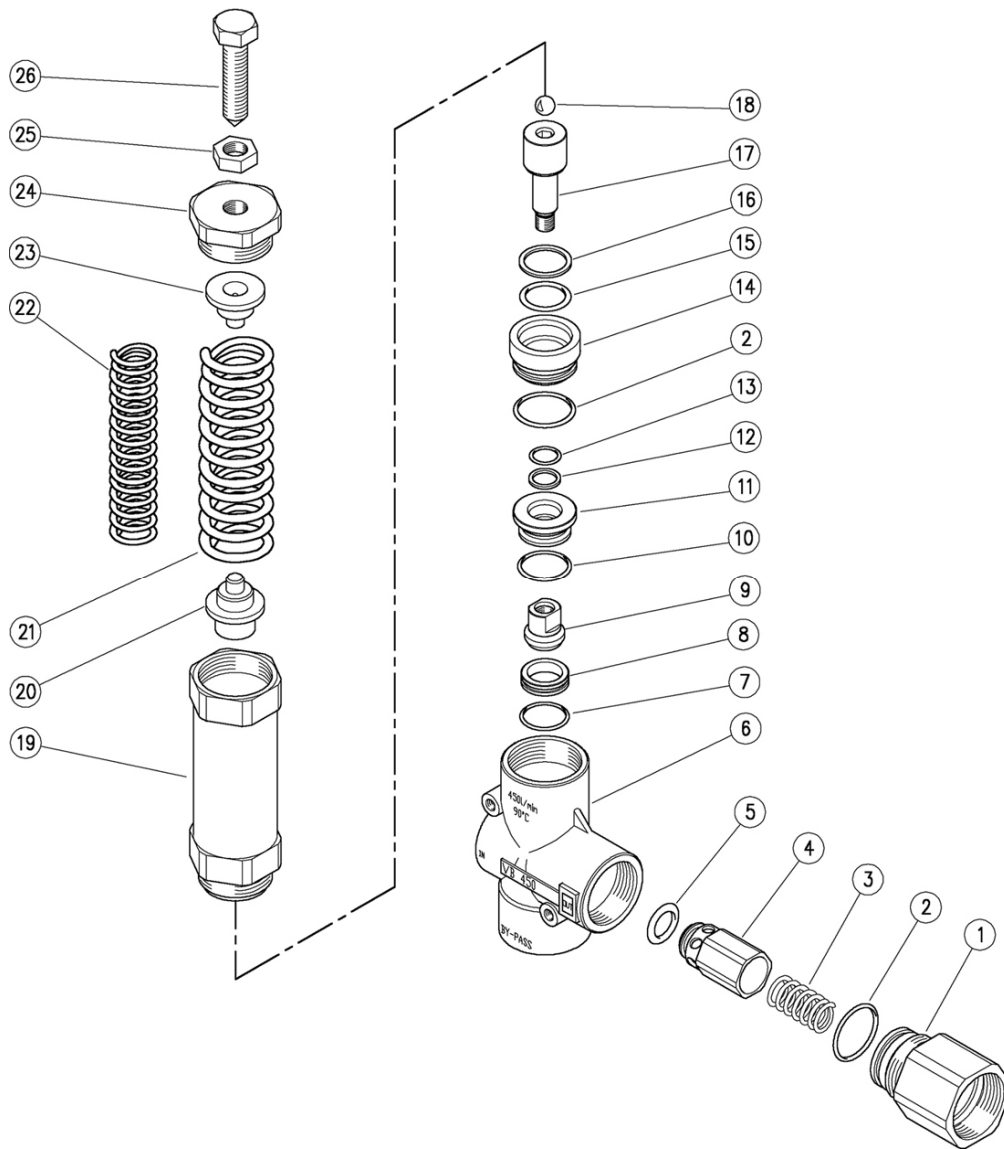
## TECHNICAL CHARACTERISTICS

Codice Part No.	Pressione Max Max Pressure		Portata Flow rate		Temp. Max Max Temp.	Inlet Port Entrata	Outlet Port Uscita	By-pass
	bar	PSI	l/min	GPM	°C			
<b>1.904-934.0</b>	200	2900	450	120	60	G1" 1/4 F	G1" 1/4 F	G1" 1/2 F

## DIMENSIONI D'INGOMBRO

## OVERALL DIMENSIONS





**SPARE PARTS KITS**

**KIT RICAMBI**

CODICE CODE	POS.	Q.TA' Q.TY
<b>1.904-935.0</b>	2	1
	5	1
	7	1
	8	1
	9	1
	10	1
	12	1
	13	1
	15	1
16	1	