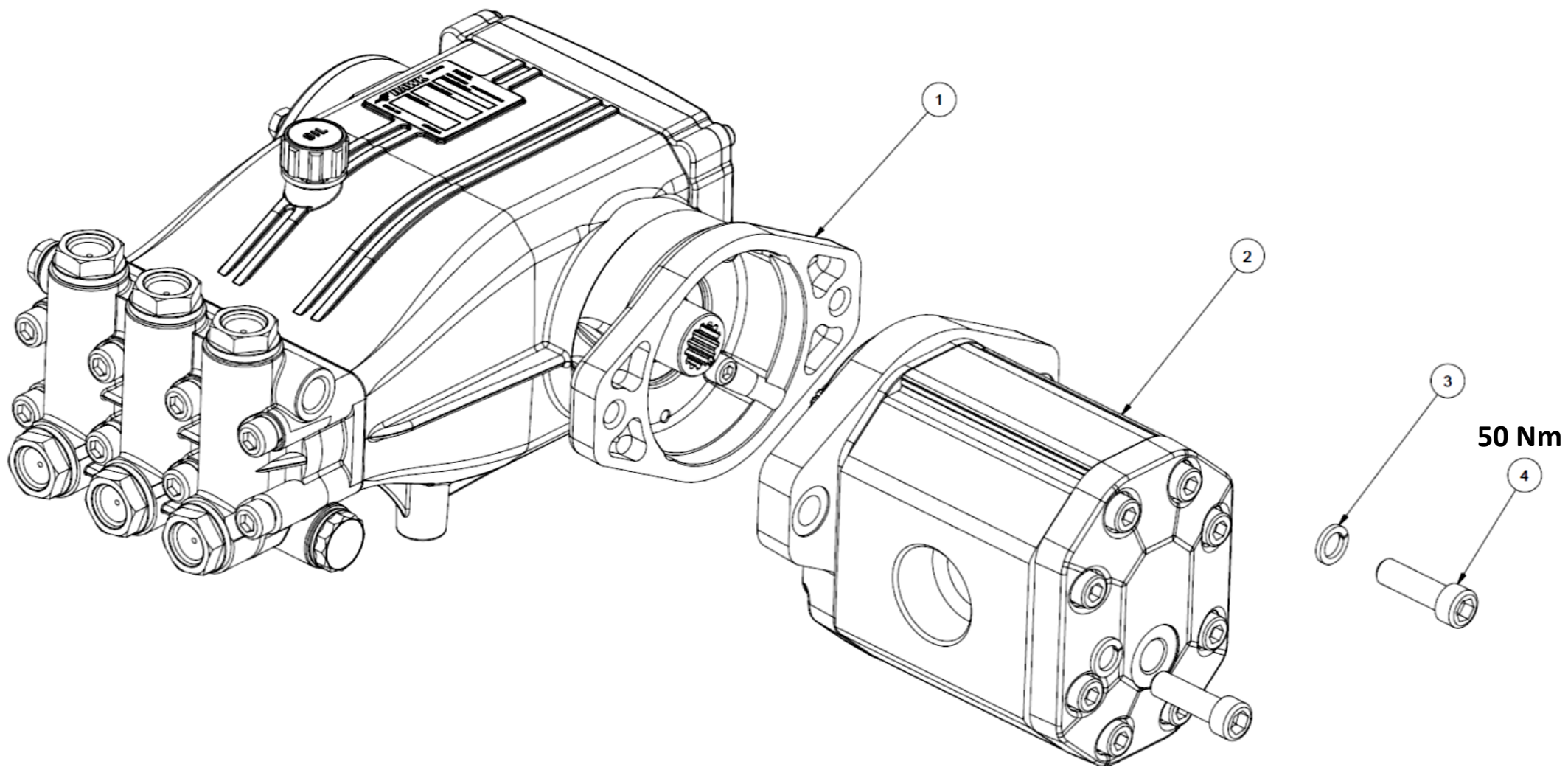


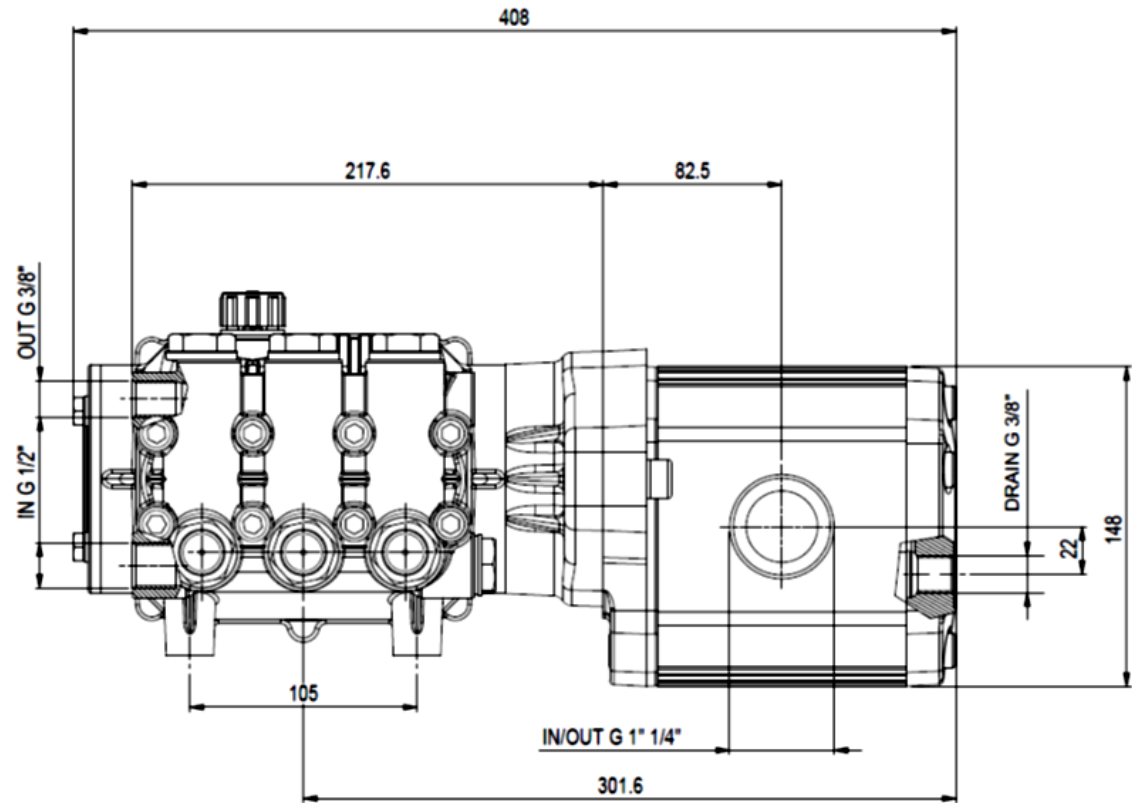
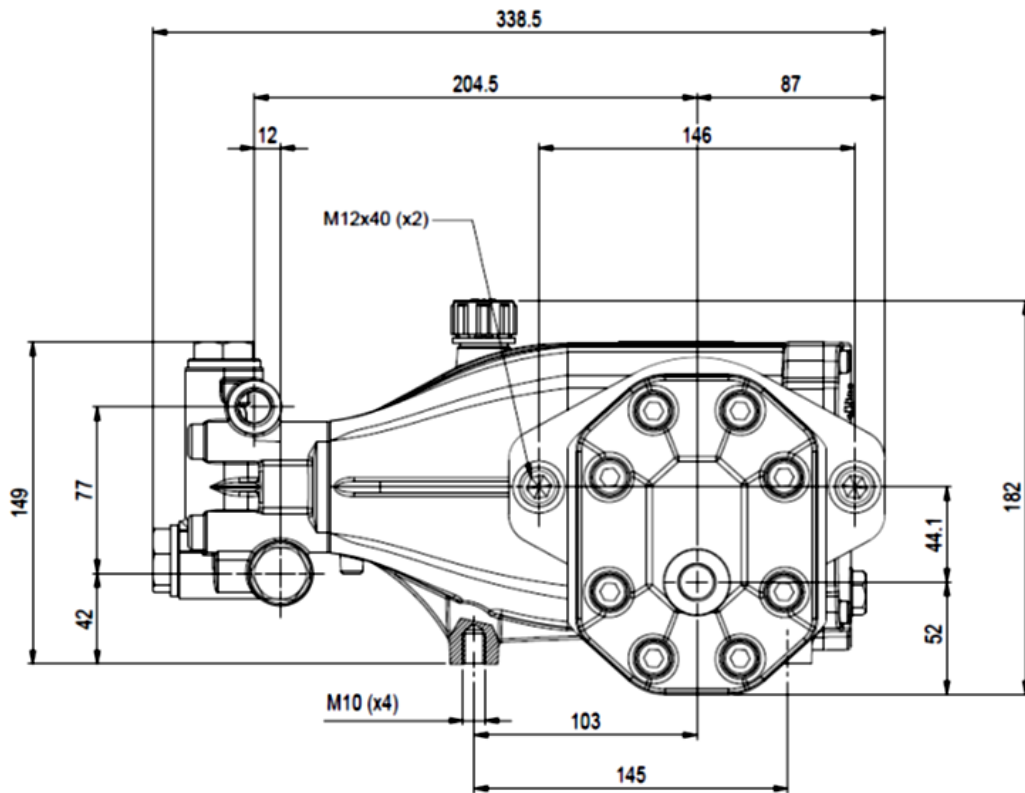
HYDRAULIC MOTORPUMP / MOTOPOMPA IDRAULICA NLT



PART LIST**LISTA PARTI**

<i>Pos.Item</i>	<i>Codice</i> Part Number	<i>Descrizione</i>	Description	<i>Q.tà</i> Q.ty
	1.904-896.0	<i>POMPA NLT HY 30L 200BAR 1450RPM D</i> + <i>MOT.GHM3A-50</i>	<i>PUMP NLT HY 30L 200BAR 1450RPM D</i> + <i>MOT.GHM3A-50</i>	
1	1.904-773.0	<i>Pompa NLT HY 30L 200BAR 1450RPM D</i>	Pump NLT HY 30L 200BAR 1450RPM D	1
2	9.853-807.0	<i>Motore idraulico GHM3A-66</i>	<i>Hydraulic motor GHM3A-66</i>	1
3	9.851-159.0	<i>Rosetta elastica M12 DIN7980</i>	<i>Washer M12 DIN7980</i>	2
4	9.853-065.0	<i>Vite TCEI M12x40 UNI5931 12.9</i>	<i>Screw M12x40 UNI5931 12.9</i>	2

OVERALL DIMENSIONS - DIMENSIONI DI INGOMBRO



TECHNICAL SPECIFICATIONS

SPECIFICHE TECNICHE

MODEL Modello	PART.NO. Codice	PUMP - POMPA							HYDRAULIC MOTOR - MOTORE IDRAULICO					Weight Peso
		Flow Rate Portata		Max Pressure Pressione Massima		RPM Giri/Minuto	Max Power Potenza massima		Displacement Cilindrata	Oil Flow Rate Portata Olio		Max Oil Pressure Pressione Massima Olio		
		l/min	US GPM	Bar	Psi		HP	kW		cm ³ rev	l/min	US GPM	Bar	
NLT HY 30L 200BAR	1.904-896.0	30.0	7.9	200	2900	1450	15.5	11.4	44	59.9	15.8	127.6	1850	25.4