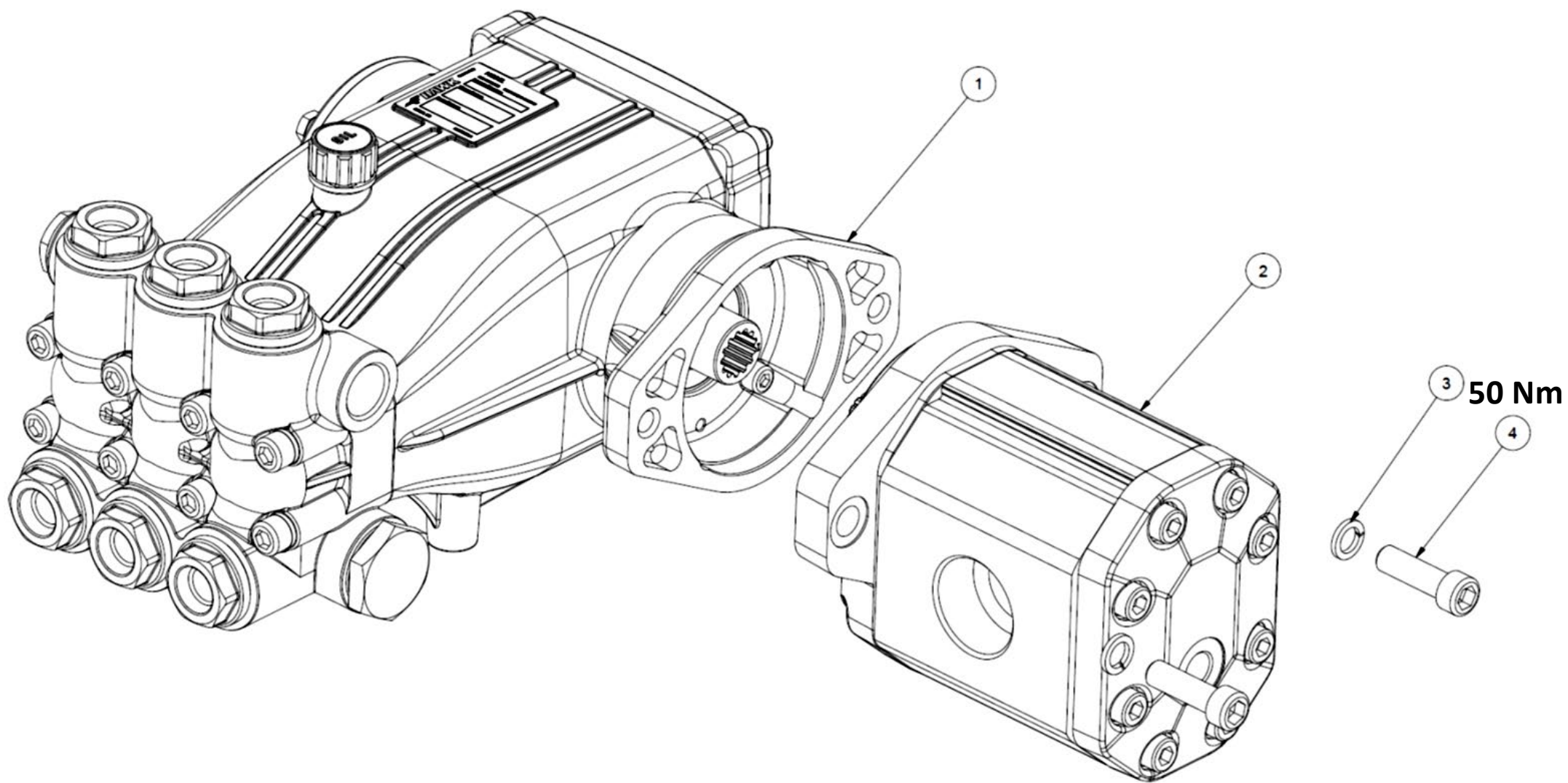


HYDRAULIC MOTORPUMP / MOTOPOMPA IDRAULICA XXT

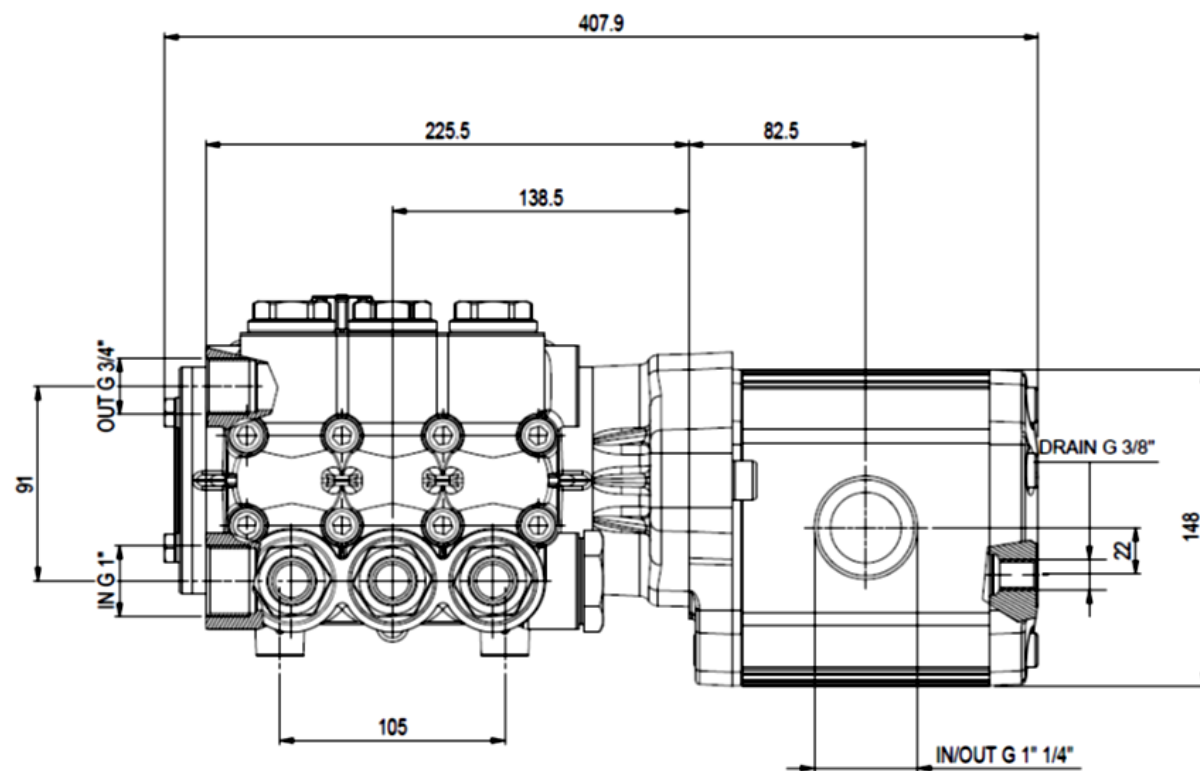
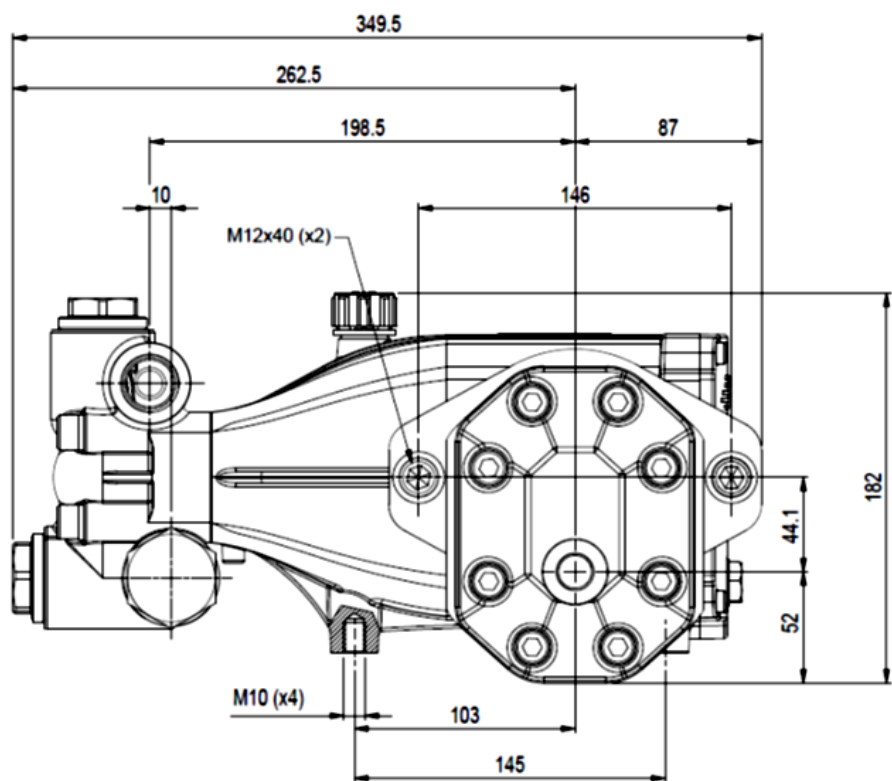


PART LIST

LISTA PARTI

| Pos.Item | Codice Part Number | Descrizione | Description | Q.tà Q.ty |
|----------|--------------------|--|---|-----------|
| | 1.904-893.0 | POMPA XXT HY 55L 200BAR 1450RPM DX + MOT.GHM3A-80 | PUMP XXT HY 55L 200BAR 1450RPM DX + MOT.GHM3A-80 | |
| 1 | 1.904-776.0 | <i>Pompa XXT HY 55L 200 BAR 1450RPM</i> | <i>Pump XXT HY 55L 200 BAR 1450RPM</i> | 1 |
| 2 | 9.853-809.0 | <i>Motore idraulico GHM3A-80</i> | <i>Hydraulic motor GHM3A-80</i> | 1 |
| 3 | 9.851-159.0 | <i>Rosetta elastica M12 DIN7980</i> | <i>Washer M12 DIN7980</i> | 2 |
| 4 | 9.853-065.0 | <i>Vite TCEI M12x40 UNI5931 12.9</i> | <i>Screw M12x40 UNI5931 12.9</i> | 2 |
| | 1.904-894.0 | POMPA XXT HY 70L 150BAR 1450RPM DX + MOT.GHM3A-80 | PUMP XXT HY 70L 150BAR 1450RPM DX + MOT.GHM3A-80 | |
| 1 | 1.904-775.0 | <i>Pompa XXT HY 70L 150 BAR 1450RPM</i> | <i>Pump XXT HY 70L 150 BAR 1450RPM</i> | 1 |
| 2 | 9.853-809.0 | <i>Motore idraulico GHM3A-80</i> | <i>Hydraulic motor GHM3A-80</i> | 1 |
| 3 | 9.851-159.0 | <i>Rosetta elastica M12 DIN7980</i> | <i>Washer M12 DIN7980</i> | 2 |
| 4 | 9.853-065.0 | <i>Vite TCEI M12x40 UNI5931 12.9</i> | <i>Screw M12x40 UNI5931 12.9</i> | 2 |

OVERALL DIMENSIONS - DIMENSIONI DI INGOMBRO



TECHNICAL SPECIFICATIONS

SPECIFICHE TECNICHE

| MODEL Modello | PART.NO. Codice | PUMP - POMPA | | | | | | HYDRAULIC MOTOR - MOTORE IDRAULICO | | | | | | Weight Peso |
|-------------------|--------------------|----------------------|-----------|--------------------------------------|------|------------------------|------------------------------------|------------------------------------|----------------------------|-------------------------------|-------|--|--------|----------------|
| | | Flow Rate Portata | | Max Pressure Pressione Massima | | RPM Giri/ Minuto | Max Power Potenza massima | | Displacement Cilindrata | Oil Flow Rate Portata Oilo | | Max Oil Pressure Pressione Massima Oilo | | |
| | | l/min | US GPM | Bar | Psi | | HP | kW | | cm ³ rev | l/min | US GPM | Bar | |
| XXT HY 55L 200BAR | 1.904-893.0 | 55.0 | 14.6 | 200 | 2900 | 1450 | 28.8 | 21.2 | 52 | 71.5 | 18.8 | 194.3 | 2818 | --- |
| XXT HY 70L 150BAR | 1.904-894.0 | 70.0 | 18.5 | 150 | 2175 | | 27.1 | 20.0 | 52 | 71.5 | 18.8 | 183.3 | 2658.5 | |