

NPM HY 2022

Albero cavo/scanalato SAEJ744 –
Hollow shaft SAEJ744

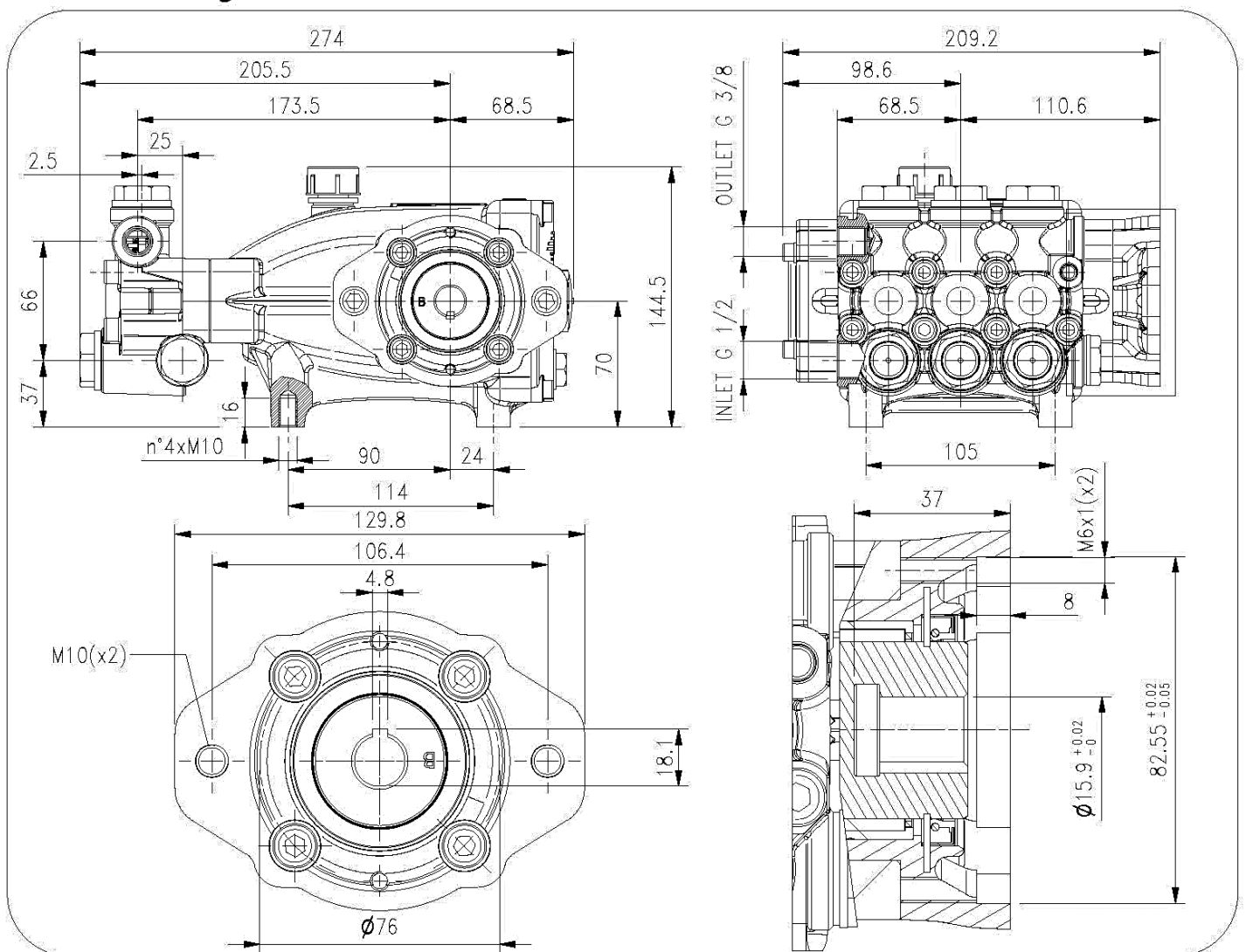
Caratteristiche Tecniche

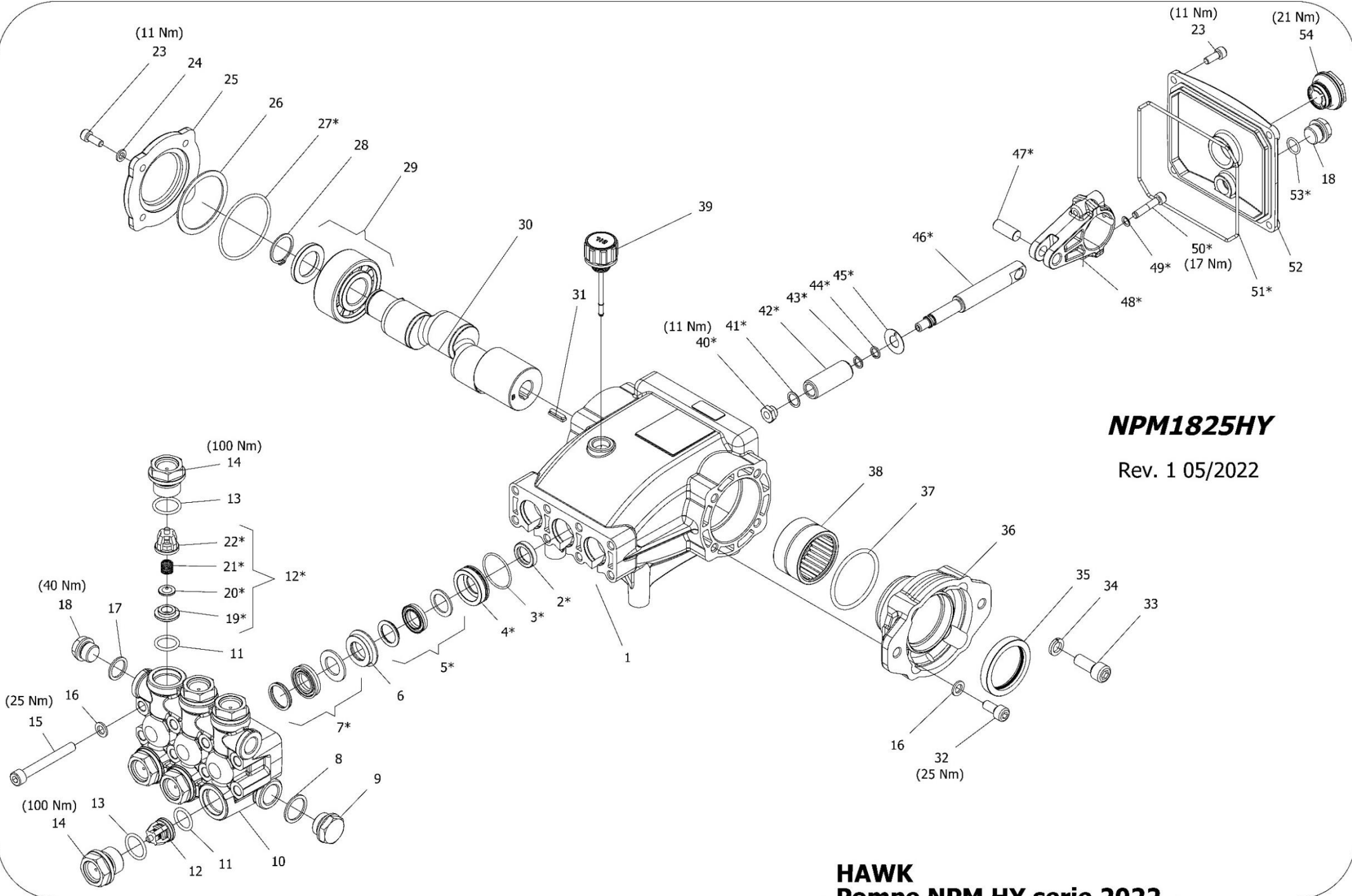
Technical Characteristics

Pump Pompa	Pressure Pressione		Volume Portata				RPM giri/min		Power Potenza			
			l/min		GPM				HP		kW	
	bar	PSI	50 Hz	60 Hz	50 Hz	60 Hz	50 Hz	60 Hz	50 Hz	60 Hz	50 Hz	60 Hz
NPM1825HY	250	2900	21	25	5.5	6.6	1450	1740	10.7	12.8	7.9	9.4

Dimensioni d'ingombro

Overall dimensions





NPM1825HY

Rev. 1 05/2022

HAWK
Pompe NPM HY serie 2022
NPM Pumps 2022 HY series

NPM-HY 2022 SERIES

ORDINARY MAINTENANCE KIT / KIT MANUTENZIONE ORDINARIA

KIT	Item Pos.	Part Number Codice	Description	Descrizione	Q.TY by Pump Q.TA per Pompa	NPM1825HY
A	3- 5- 7	1.099-754.0	PLUNGER SEALS DIA. 15 mm	GUARNIZIONI PISTONE Ø15	1	•
B	11- 12- 13 (19- 20- 21 22)	1.905-543.0	COMPLETE VALVE	VALVOLA COMPLETA	1	

EXTRAORDINARY MAINTENANCE KIT / KIT MANUTENZIONE STRAORDINARIA

KIT	Item Pos.	Part Number Codice	Description	Descrizione	Q.TY by Pump Q.TA per Pompa	NPM1825HY
C	3- 4- 5- 6- 7	1.905-652.0	COMPLETE SEALS PACKING DIA. 15 mm	PACCO COMPLETO GUARNIZIONI PISTONE Ø15	1	•
D	40- 41- 42 43- 44- 45	1.099-756.0	PLUNGER DIA. 18 mm	PISTONE Ø18	3	
E	2	1.099-751.0	PLUNGER OIL SEALS	ANELLI TENUTA OLIO ASTA	1	
F	18 - 27 - 35 - 37 - 51 - 53 - 54	1.905-654.0	KIT CRANKCASE SEALS	KIT TENUTE CARTER	1	
G	3- 4- 5- 6- 7 8- 9- 10- 11 12 (19- 20 21- 22) - 13- 14 -15- 16- 17 18	1.099-757.0	COMPLETE MANIFOLD	TESTATA COMPLETA	1	
H	40- 41- 43 44 - 46 - 47 - 48 - 49 - 50	1.905-544.0	CONNECTING ROD PLUNGER ROD ASSY	PREMONTATO ASTA-BIELLA PISTONE	3	
I	13- 14	1.904-251.0	VALVE PLUG ASSY	PREMONTATO TAPPO VAM	6	

“Q.TY by Pump” => Necessary quantity to repair one pump
 “Q.TA’ per Pompa” => Quantità necessaria per riparare una pompa

OPTIONAL

Item Pos.	Part Number Codice	Description	Descrizione	Q.TY by Pump Q.TA per Pompa	NPM1825HY
51	9.853-426.0	THREADED BRASS PLUG G1/4	PREMONTATO TAPPO FORATO	1	•

TOOL KIT

Part Number Codice	Description	Descrizione	Q.TY by Pump Q.TA per Pompa	NPM1825HY
1.099-667.0	TOOL-KIT	TOOL-KIT	1	•
1.904-414.0	OIL SEAL EXTRACTOR TOOL-KIT	TOOL-KIT ESTRAZIONE PARAOLIO	1	•

IMPORTANT

IMPORTANTE

* **Part available ONLY in kit**
Disponibile SOLO in kit

(...) **Parts pre-assembled**
Parti pre-assemblate

PARTS LIST LISTA PARTI

Item Pos	Part Number Codice	Description	Descrizione	KIT	Q.TY Q.TÀ	NPM1825HY
1	9.850-376.0	CRANKCASE	CARTER		1	
2*		PLUNGER OIL SEAL	ANELLO RADIALE	E	3	
3*		"O" RING Ø1.78X31.47	"O" RING Ø1.78X31.47	A-C-G	3	
4*		PRESSURE RING 18 MM	PRESSORE "U" Ø18	C-G	3	
5*		LOW PRESSURE "U" SEAL Ø18x26 "U"	ANELLO TENUTA PIST. Ø18x26 "U"	A-C-G	3	
6*		INTERMED. RING 18 MM	DIFFUSORE INTER. Ø18	C-G	3	
7*		HIGH PRESSURE Ø18x30 "U"	ANELLO TENUTA PIST. Ø18x30 "U"	A-C-G	3	
8*		COPPER WASHER G1/2	GUARNIZIONE RAME	G	1	
9*		PLUG G1/2	TAPPO G1/2	G	1	
10*		MANIFOLD HOUSING	TESTATA	G	1	
11*		"O" RING Ø2.62X17.13	"O" RING Ø2.62X17.13	B-G	6	
12*		VALVE ASSEMBLY	VALVOLA PREMONTATA	B-G	6	
13*		"O" RING Ø2.62X20.29	"O" RING Ø2.62X20.29	B-G-I	6	
14*		VALVE PLUG	TAPPO VALVOLA	G-I	6	
15*		MANIFOLD STUD BOLT M8X65 GEOMET	VITE M8X65 GEOMET	G	8	
16*		WASHER Ø8,5	ROSETTA Ø8.5	G	12	
17*		COPPER WASHER G3/8	GUARNIZIONE RAME	G	1	
18*		PLUG G3/8	TAPPO G3/8	G-F	2	
19*		VALVE SEAT	SEDE VALVOLA	B-G	6	
20*		VALVE PLATE	PIATTELLO VALVOLA	B-G	6	
21*		VALVE SPRING	MOLLA VALVOLA	B-G	6	
22*		VALVE CAGE	GABBIA VALVOLA	B-G	6	
23	9.851-474.0	HEXAGONAL SCREW TCEI M6X16	VITE TCEI M6X16		8	
24	9.851-115.0	WASHER Ø6.4/12.5X1.6	ROSETTA Ø6.4/12.5X1.6		4	
25	9.850-622.0	CLOSED FLANGE	FLANGIA CHIUSA		1	
26	9.853-996.0	BEARING SPACER	DISTANZIALE CUSCINETTO		1	
27*		"O" RING Ø2.62X61.6	"O" RING Ø2.62X61.6	F	1	
28	9.851-198.0	SNAP RING	ANELLO Ø25		1	
29	9.853-993.0	ROLLER BEARING	CUSCINETTO A RULLI CILINDRICI		1	
30	9.853-977.0	HOLLOWSHAFT 5/8"	ALBERO CAVO 5/8"		1	
31	9.850-451.0	STEP KEY	CHIAVETTA A GRADINO 4-4.8x18		1	
32	9.851-478.0	HEAD SCREW M8x18	VITE TCEI M8x18 ISO4762 8.8		4	
33	9.851-493.0	HEAD SCREW M10x25	VITE TCEI M10x25 ISO4762 12.9		2	
34	9.851-154.0	WASHER M10	ROSETTA ELASTICA M10 DIN7980		2	
35		SEALING SHAFT	ANELLO TENUTA ALEBRO		1	
36	9.853-976.0	FLANGIA SAE B J744	FLANGE SAE B J744		1	
37	9.850-714.0	O-RING 159 - Ø3,53x55,56 NBR 70	O-RING 159 - Ø3,53x55,56 NBR 70		1	
38	9.850-351.0	NEEDLE ROLLER BEARING	CUSCINETTO A RULLINI		1	
39	9.851-286.0	OIL DIP STICK	TAPPO LIVELLO OLIO		1	

Item Pos	9.850-621.0	ENGINE FLANGE	FLANGIA MOTORE		1	NPM1825HY
40*		PLUNGER NUT M8	DADO PISTONE M8	D-H	3	
41*		WASHER Ø11,2/15x0,5	ROSETTA RAME Ø11,2/15x0,5	D-H	3	
42*		PLUNGER 18MM	PISTONE Ø18	D	3	
43*		O-RING 2031 - Ø1,78x7,66 NBR 70	O-RING 2031 - Ø1,78x7,66 NBR 70	D	3	
44*		TEFLON RING	ANELLO ANTIESTRUSIONE	D-H	3	
45*		WASHER Ø11,3X24x0,5	ROSETTA RAME R. Ø11,3X24x0,5	D-H	3	
46*		PLUNGER ROD	ASTA PISTONE	H	3	
47*		CONNECTING ROD PIN	SPINOTTO	H	3	
48*		CONNECTING ROD	BIELLA	H	3	
49*		SPRING WASHER Ø6	ROSETTA ELASTICA Ø6	H	6	
50*		CONNECTING ROD SCREW M6X30	VITE M6X30	H	6	
51*		"O" RING Ø 2.62X126.67	"O" RING Ø 2.62X126.67	F	1	
52*	9.850-388.0	CRANKCASE COVER	COPERCHIO POSTERIORE		1	
53		"O" RING Ø1.78X14	"O" RING Ø1.78X14	F	1	
54		SIGHT GLASS G3/4	SPIA LIVELLO OLIO G3/4	F	1	