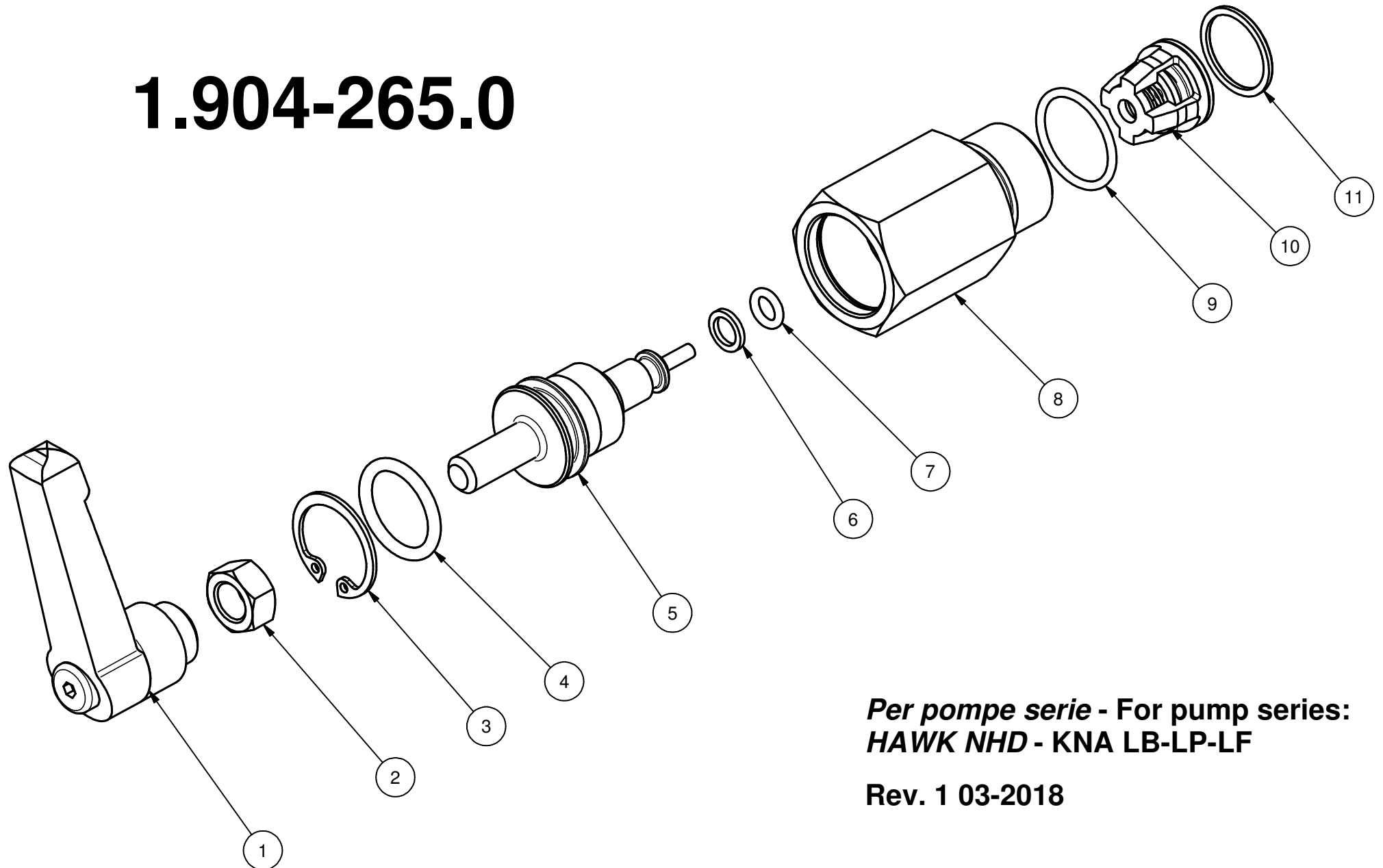


1.904-265.0

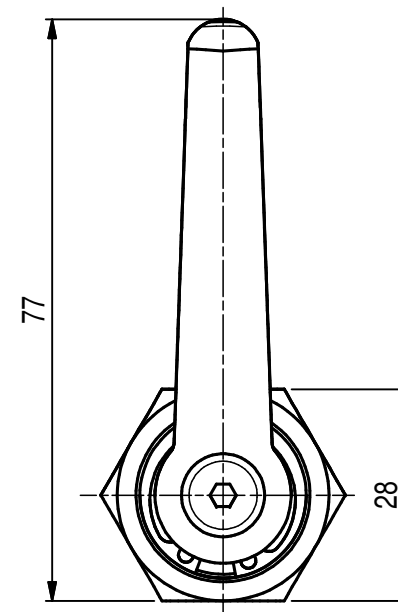
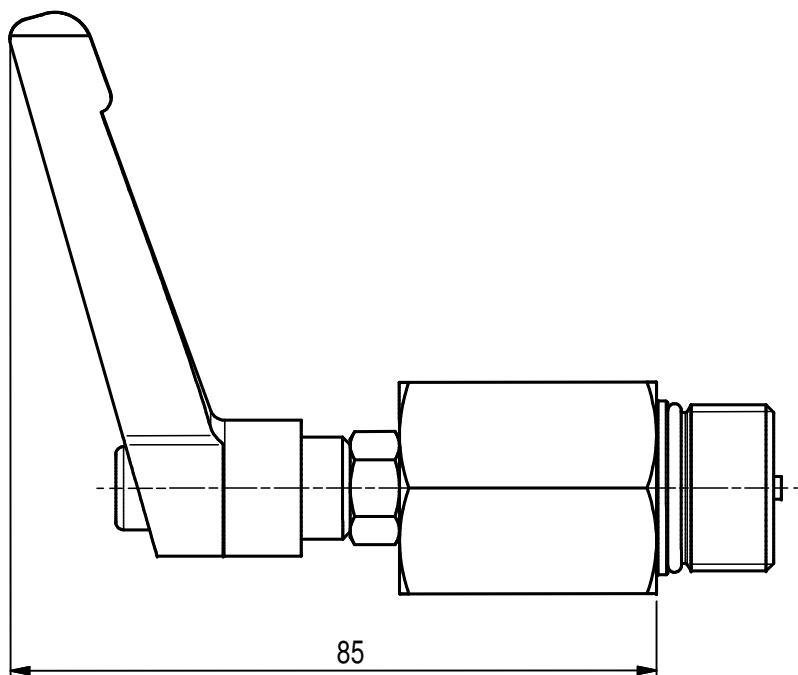


Per pompe serie - For pump series:
HAWK NHD - KNA LB-LP-LF

Rev. 1 03-2018

HAWK
Valvola Jetter 2016
Jetter Valve 2016

Pressione Massima - Maximum Pressure: 250 BAR - 2900 PSI
Peso - Weight: 231 g - 0.51 lb



Rev. 1 03-2018

HAWK
Valvola Jetter 2016
Jetter Valve 2016

JETTER VALVE 1.094-265.0 VALVOLA JETTER

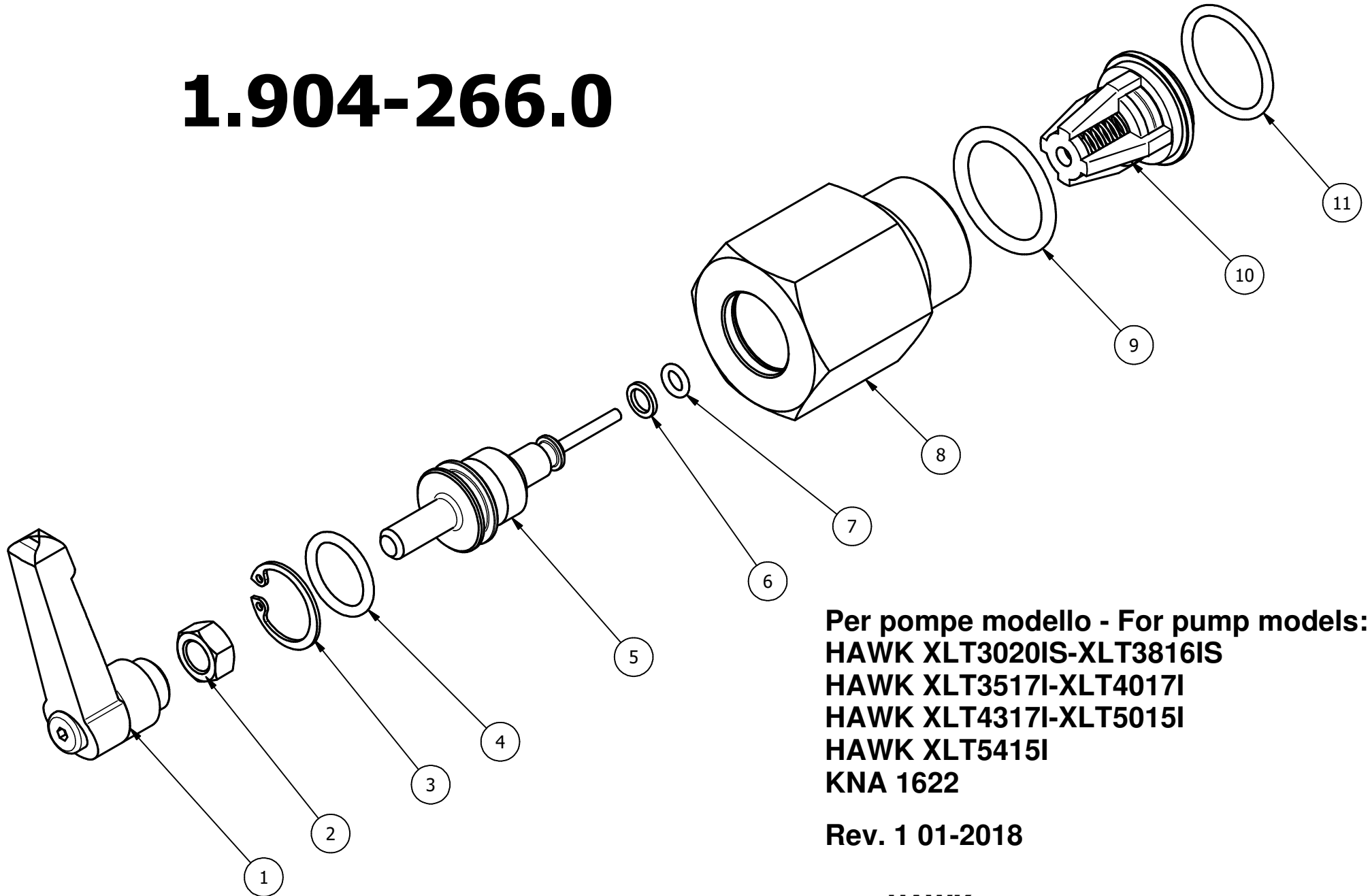
Valve - Valvola	Pump model - Modello pompa
1.904-265.0	HAWK NHD - KNA LB-LP-LF

SPARE PARTS LIST

LISTA PARTI

<i>Pos. Item</i>	<i>Code</i>	<i>Description</i>	<i>Descrizione</i>	<i>Q.tà Q.ty</i>
1	9.850-908.0	Handle	Manopola	1
2	9.851-969.0	Nut	Dado M8 zincato	1
3	9.851-203.0	Snap ring	Anello Seeger	1
4	9.850-673.0	O-Ring dia. 2.62x17.13	OR Ø2,62x17,13	1
5	1.904-318.0	Stem-Pin Sub-assy	Premontato Pistone-Spina	1
6	9.850-269.0	Back Ring	Anello antiestrusione	1
7	9.850-682.0	O-Ring dia. 1.78x5.28	OR Ø1,78x5,28	1
8	9.850-438.0	Valve body	Corpo Valvola	1
9	9.850-676.0	O-Ring dia. 1.78x18.77	OR Ø1,78x18,77	1
10	1.099-705.0	Hollow Check Valve	Premontato VAM forata	1
11	9.850-702.0	O-Ring dia. 1.78x15.60	OR Ø1,78x15,60	1

1.904-266.0

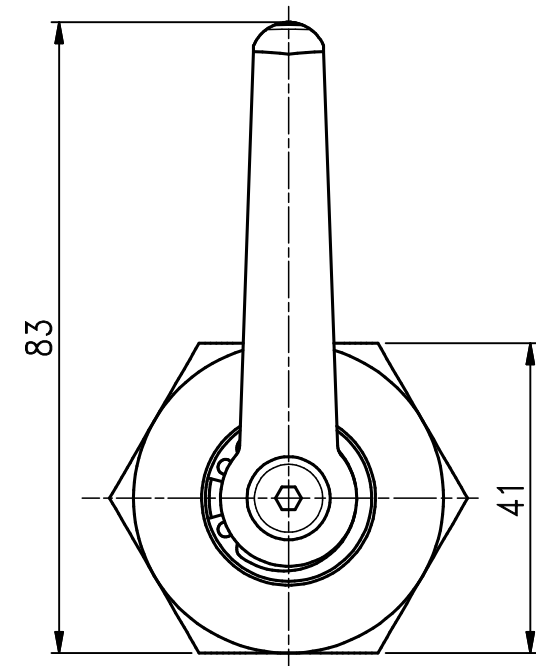
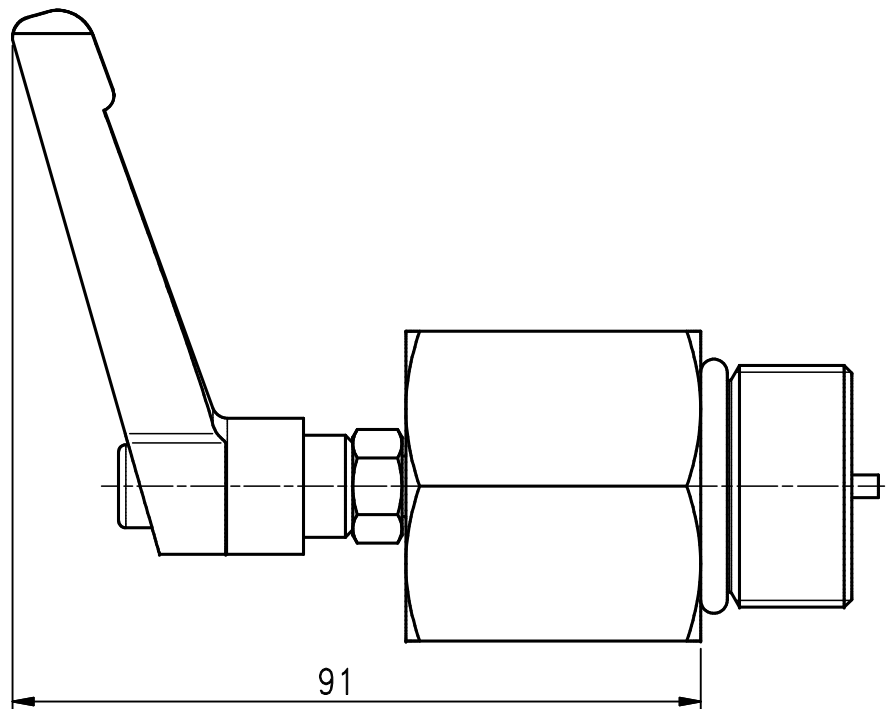


Per pompe modello - For pump models:
HAWK XLT3020IS-XLT3816IS
HAWK XLT3517I-XLT4017I
HAWK XLT4317I-XLT5015I
HAWK XLT5415I
KNA 1622

Rev. 1 01-2018

HAWK
Valvola Jetter 2016
Jetter Valve 2016

Pressione Massima - Maximum Pressure: 200 BAR - 2900 PSI
Peso - Weight: 586 g - 1.29 lb



Rev. 1 01-2018

HAWK
Valvola Jetter 2016
Jetter Valve 2016

JETTER VALVE 1.904-266.0 VALVOLA JETTER

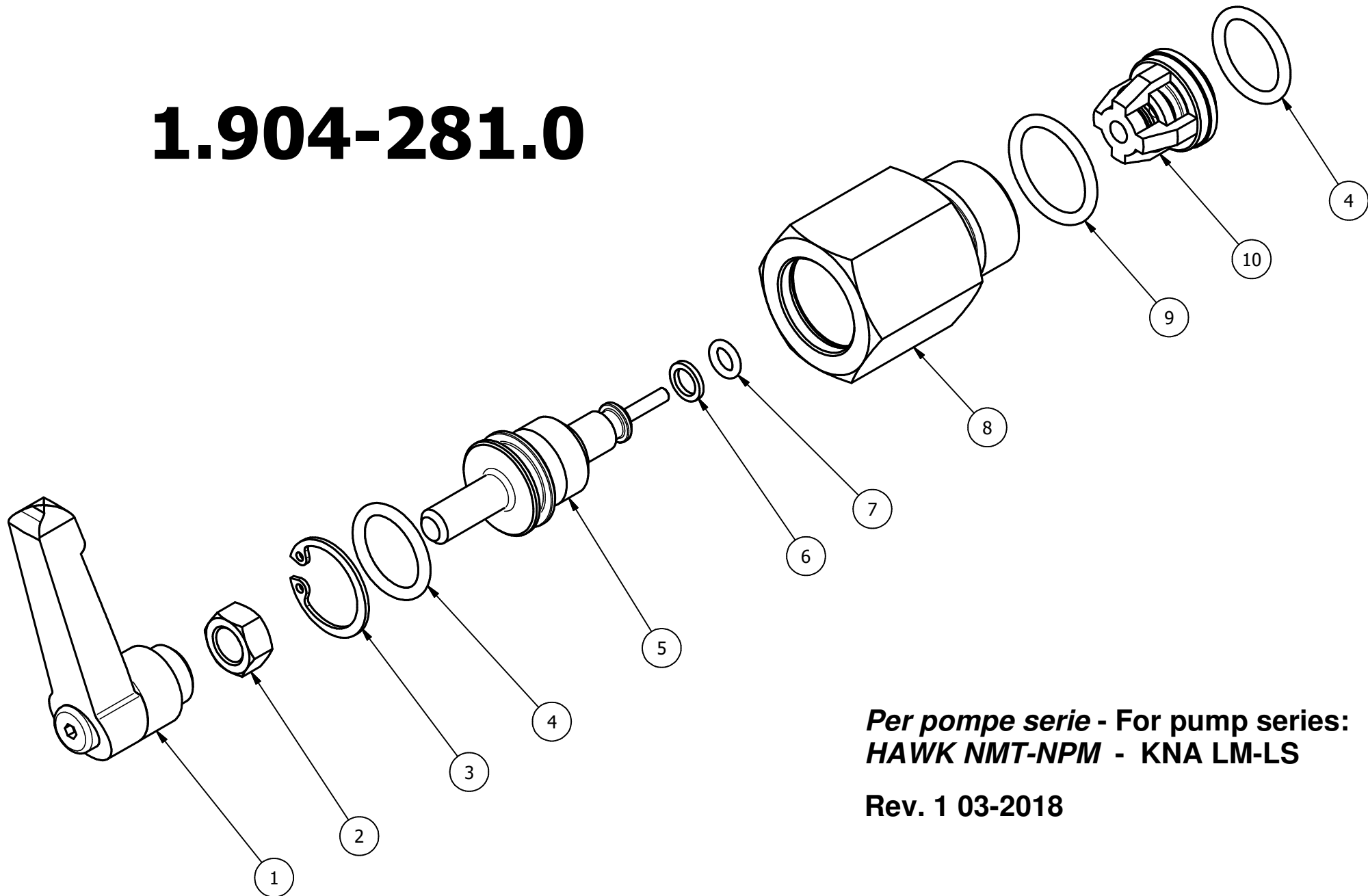
Valve - <i>Valvola</i>	Pump model - <i>Modello pompa</i>
1.904-266.0	HAWK XLT3020I-XLT3816I-XLT3517I-XLT4017I-XLT4317I-XLT5015I-XLT5415I KNA 1622

SPARE PARTS LIST

LISTA PARTI

<i>Pos. Item</i>	<i>Code</i>	<i>Description</i>	<i>Descrizione</i>	<i>Q.tà Q.ty</i>
1	9.850-908.0	Handle	<i>Manopola</i>	1
2	9.851-969.0	Nut	<i>Dado M8 zincato</i>	1
3	9.851-203.0	Snap ring	<i>Anello Seeger</i>	1
4	9.850-673.0	O-Ring dia. 2.62x17.13	<i>OR Ø2,62x17,13</i>	1
5	1.904-320.0	Stem-Pin Sub-assy	<i>Premontato Pistone-Spina</i>	1
6	9.850-269.0	Back Ring	<i>Anello antiestrusione</i>	1
7	9.850-682.0	O-Ring dia. 1.78x5.28	<i>OR Ø1,78x5,28</i>	1
8	9.850-435.0	Valve body	<i>Corpo Valvola</i>	1
9	9.850-707.0	O-Ring dia. 3.53x26.58	<i>OR Ø3,53x26,58</i>	1
10	1.099-708.0	Hollow Check Valve	<i>Premontato VAM forata</i>	1
11	9.850-706.0	O-Ring dia. 2.62x25.70	<i>OR Ø2,62x25,70</i>	1

1.904-281.0

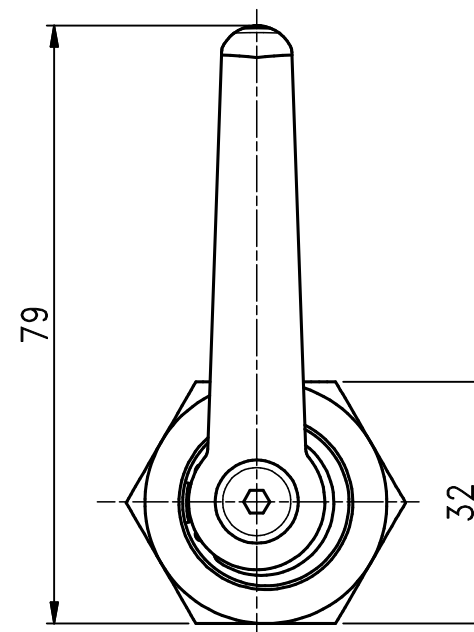
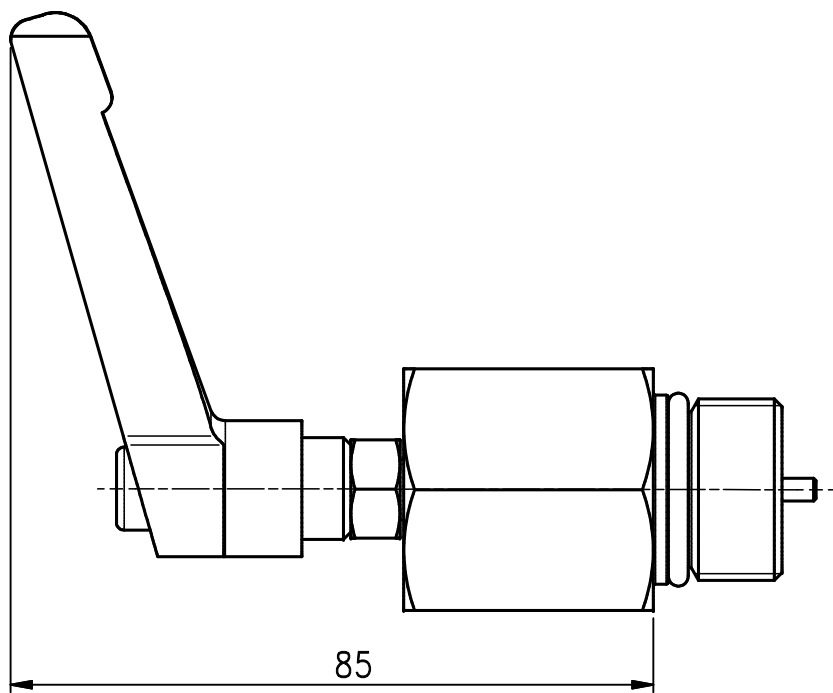


Per pompe serie - For pump series:
HAWK NMT-NPM - KNA LM-LS

Rev. 1 03-2018

HAWK
Valvola Jetter 2016
Jetter Valve 2016

Pressione Massima - Maximum Pressure: 250 BAR - 2900 PSI
Peso - Weight: 301 g - 0.66 lb



Rev. 1 03-2018

HAWK
Valvola Jetter 2016
Jetter Valve 2016

JETTER VALVE 1.904-281.0 VALVOLA JETTER

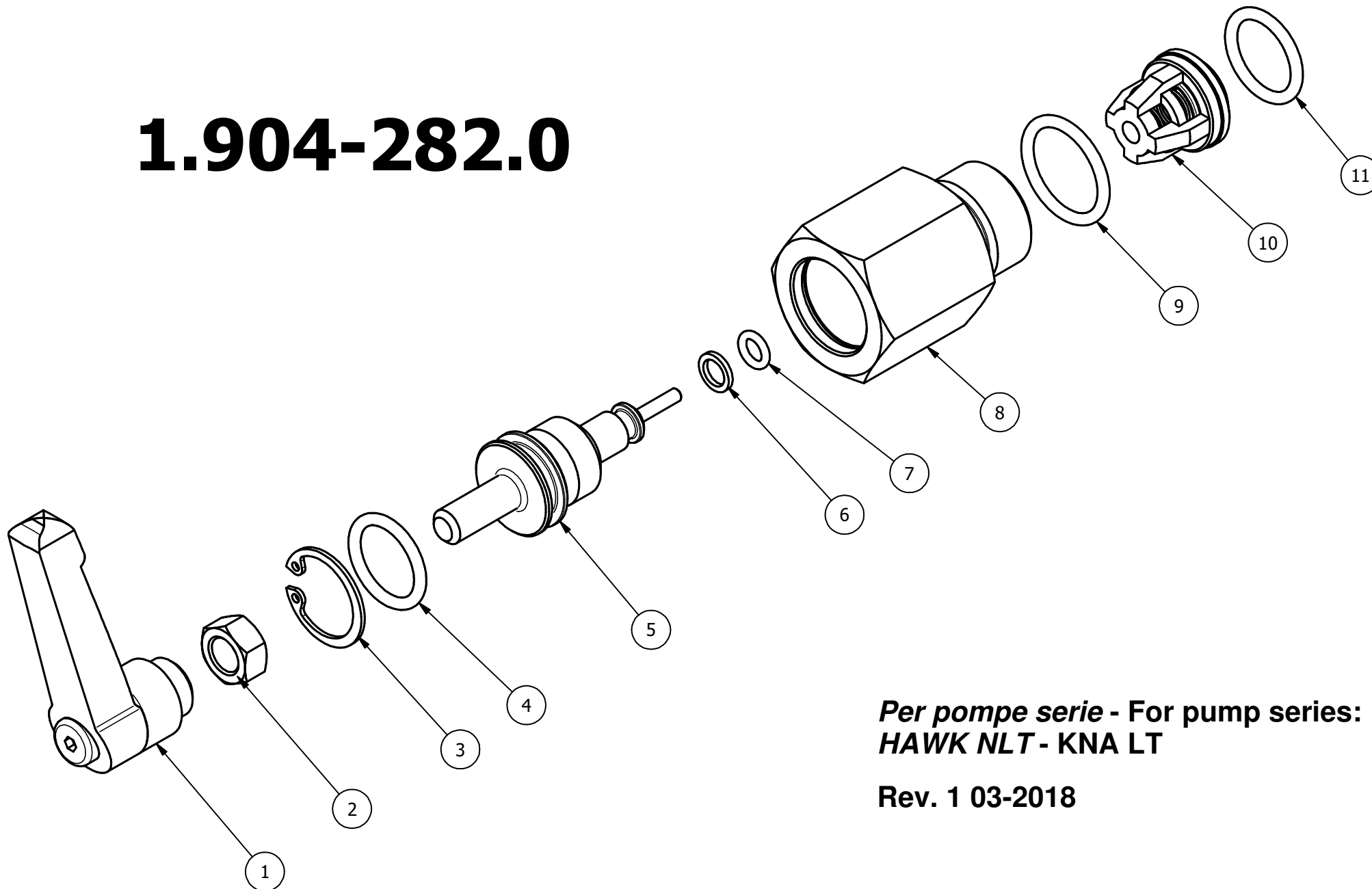
Valve - Valvola	Pump model - Modello pompa
1.904-281.0	HAWK NMT-NPM - KNA LM-LS

SPARE PARTS LIST

LISTA PARTI

<i>Pos. Item</i>	<i>Code</i>	<i>Description</i>	<i>Descrizione</i>	<i>Q.tà Q.ty</i>
1	9.850-908.0	Handle	<i>Manopola</i>	1
2	9.851-969.0	Nut	<i>Dado M8 zincato</i>	1
3	9.851-203.0	Snap ring	<i>Anello Seeger</i>	1
4	9.850-673.0	O-Ring dia. 2.62x17.13	<i>OR Ø2,62x17,13</i>	2
5	1.904-319.0	Stem-Pin Sub-assy	<i>Premontato Pistone-Spina</i>	1
6	9.850-269.0	Back Ring	<i>Anello antiestrusione</i>	1
7	9.850-682.0	O-Ring dia. 1.78x5.28	<i>OR Ø1,78x5,28</i>	1
8	9.850-437.0	Valve body	<i>Corpo Valvola</i>	1
9	9.850-705.0	O-Ring dia. 2.62x20.24	<i>OR Ø2,62x20,24</i>	1
10	1.099-706.0	Hollow Check Valve	<i>Premontato VAM forata</i>	1

1.904-282.0

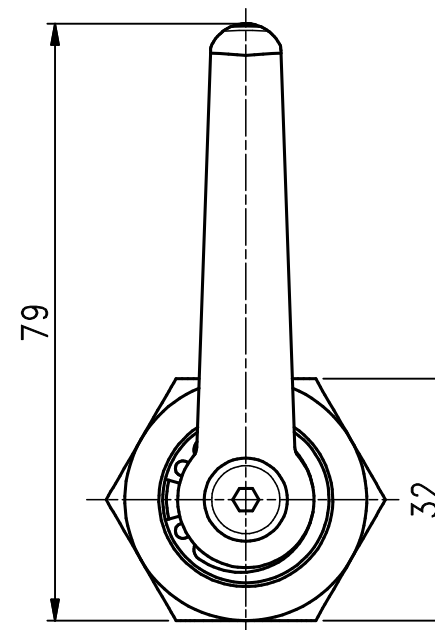
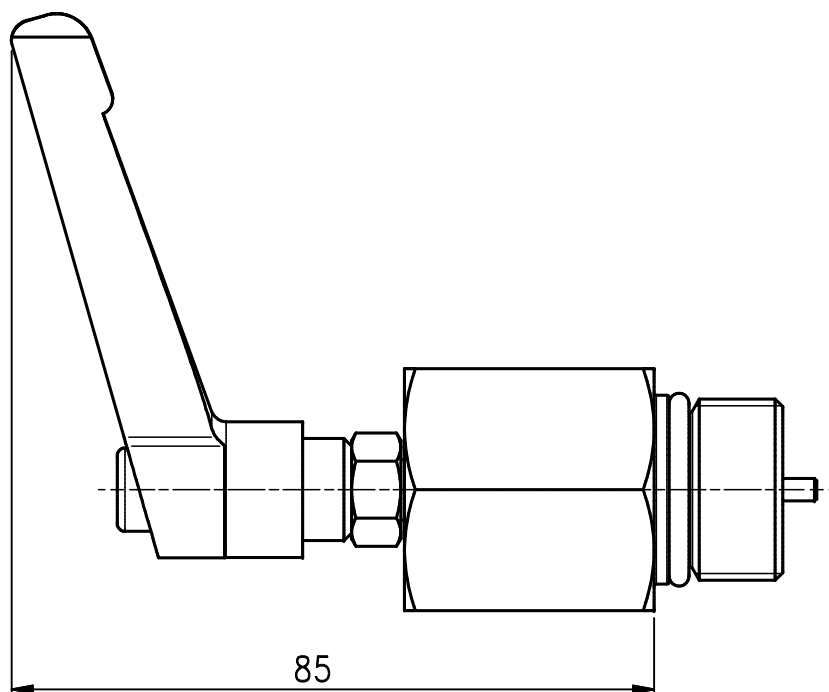


Per pompe serie - For pump series:
HAWK NLT - KNA LT

Rev. 1 03-2018

HAWK
Valvola Jetter 2016
Jetter Valve 2016

Pressione Massima - Maximum Pressure: 250 BAR - 2900 PSI
Peso - Weight: 301 g



Rev. 1 03-2018

HAWK
Valvola Jetter 2016
Jetter Valve 2016

JETTER VALVE 1.904-282.0 VALVOLA JETTER

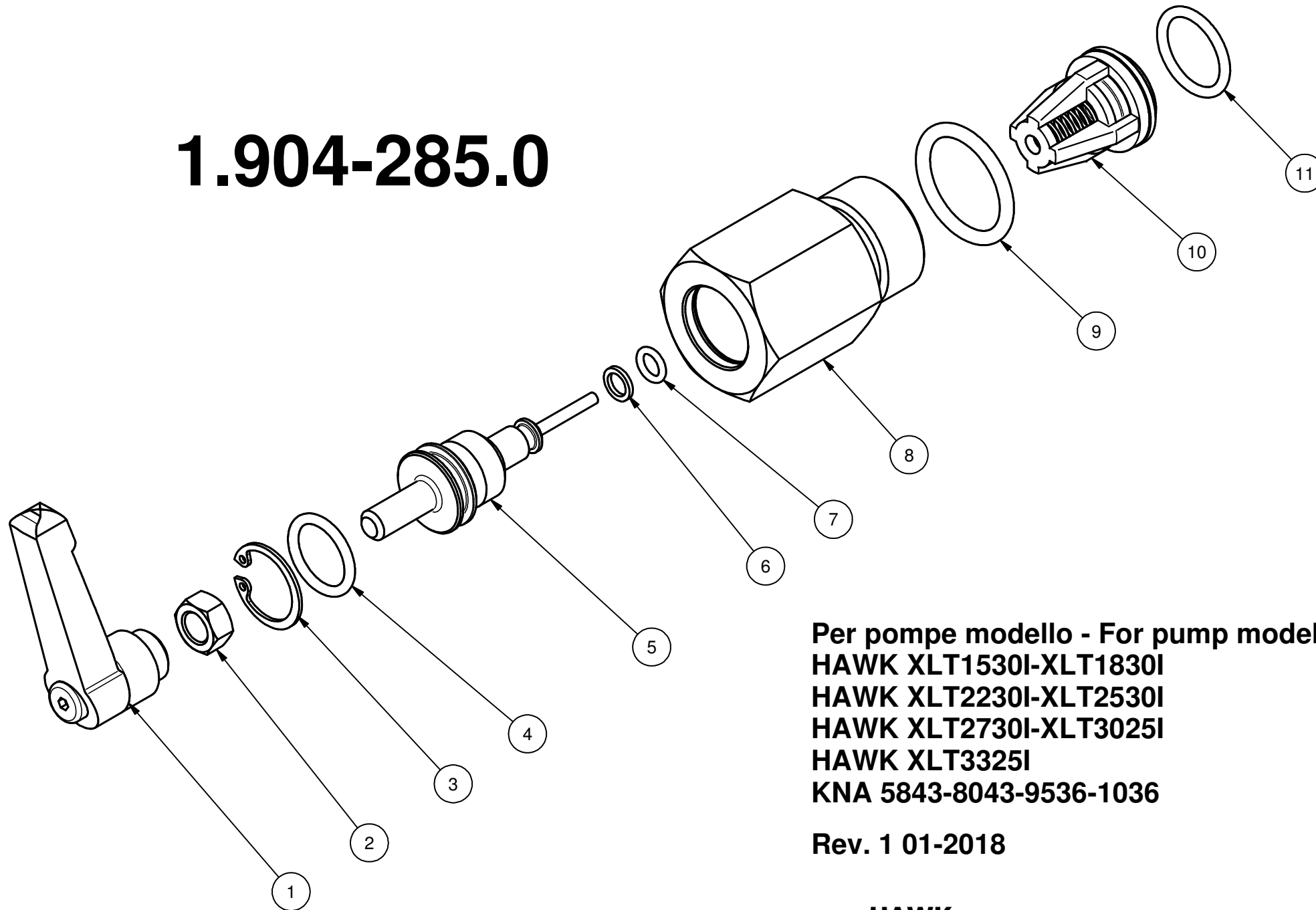
Valve - Valvola	Pump model - Modello pompa
1.904-282.0	HAWK NLT - KNA LT

SPARE PARTS LIST

LISTA PARTI

<i>Pos. Item</i>	<i>Code</i>	<i>Description</i>	<i>Descrizione</i>	<i>Q.tà Q.ty</i>
1	9.850-908.0	Handle	Manopola	1
2	9.851-969.0	Nut	Dado M8 zincato	1
3	9.851-203.0	Snap ring	Anello Seeger	1
4	9.850-673.0	O-Ring dia. 2.62x17.13	OR Ø2,62x17,13	1
5	1.904-319.0	Stem-Pin Sub-assy	Premontato Pistone-Spina	1
6	9.850-269.0	Back Ring	Anello antiestrusione	1
7	9.850-682.0	O-Ring dia. 1.78x5.28	OR Ø1,78x5,28	1
8	9.850-437.0	Valve body	Corpo Valvola	1
9	9.850-705.0	O-Ring dia. 2.62x20.24	OR Ø2,62x20,24	1
10	1.904-316.0	Hollow Check Valve	Premontato VAM forata	1
11	9.850-677.0	O-Ring dia. 2.62x25.7	OR Ø2,62x25,7	1

1.904-285.0

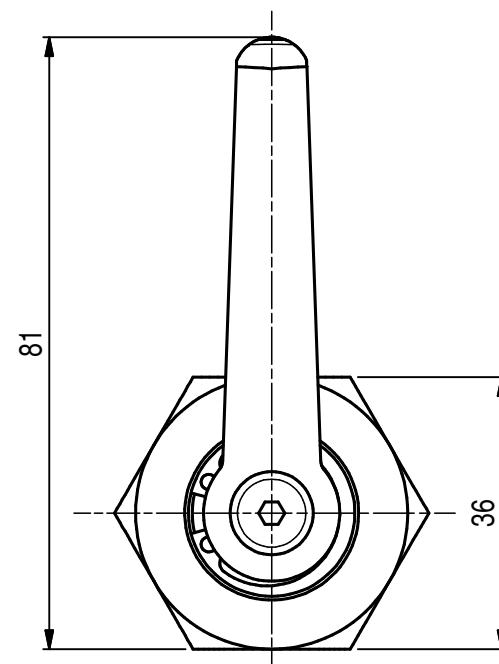
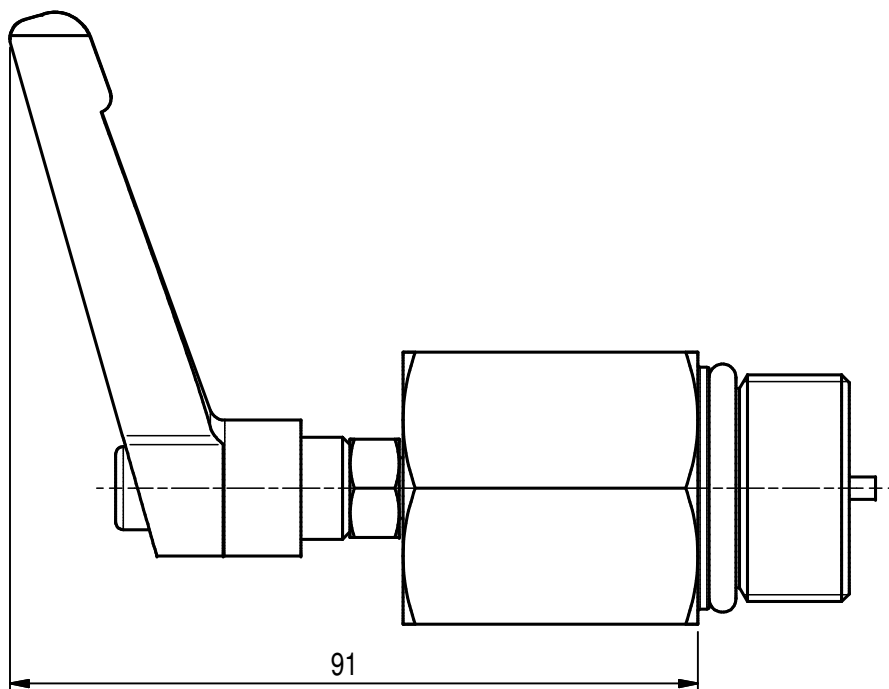


Per pompe modello - For pump models:
HAWK XLT1530I-XLT1830I
HAWK XLT2230I-XLT2530I
HAWK XLT2730I-XLT3025I
HAWK XLT3325I
KNA 5843-8043-9536-1036

Rev. 1 01-2018

HAWK
Valvola Jetter 2016
Jetter Valve 2016

Pressione Massima - Maximum Pressure: 300 BAR - 4350 PSI
Peso - Weight: 460 g - 1.01 lb



Rev. 1 01-2018

HAWK
Valvola Jetter 2016
Jetter Valve 2016

JETTER VALVE 1.904-285.0 VALVOLA JETTER

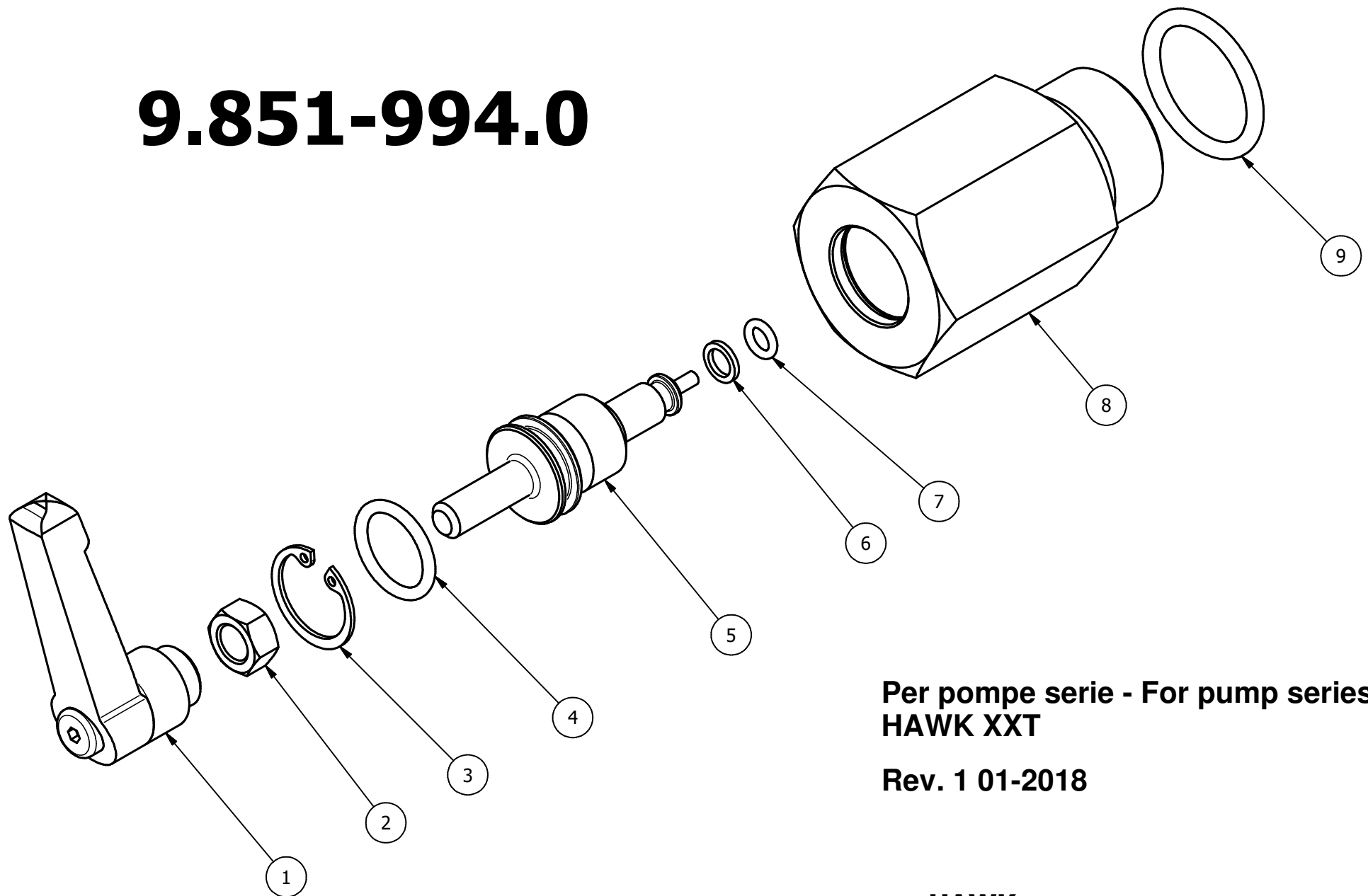
Valve - Valvola	Pump model - Modello pompa
1.904-285.0	HAWK XLT1530I-XLT1830I-XLT2230I-XLT2530I-XLT2730I-XLT3025I-XLT3325I KNA 5843-8043-9536-1036

SPARE PARTS LIST

LISTA PARTI

Pos. Item	Code	Description	Descrizione	Q.tà Q.ty
1	9.850-908.0	Handle	Manopola	1
2	9.851-969.0	Nut	Dado M8 zincato	1
3	9.851-203.0	Snap ring	Anello Seeger	1
4	9.850-673.0	O-Ring dia. 2.62x17.13	OR Ø2,62x17,13	1
5	1.904-320.0	Stem-Pin Sub-assy	Premontato Pistone-Spina	1
6	9.850-269.0	Back Ring	Anello antiestrusione	1
7	9.850-682.0	O-Ring dia. 1.78x5.28	OR Ø1,78x5,28	1
8	9.850-434.0	Valve body	Corpo Valvola	1
9	9.850-717.0	O-Ring dia. 3.53x25.80	OR Ø3,53x25,80	1
10	1.099-707.0	Hollow Check Valve	Premontato VAM forata	1
11	9.850-777.0	O-Ring dia. 2.62x21.89	OR Ø2,62x21,89	1

9.851-994.0

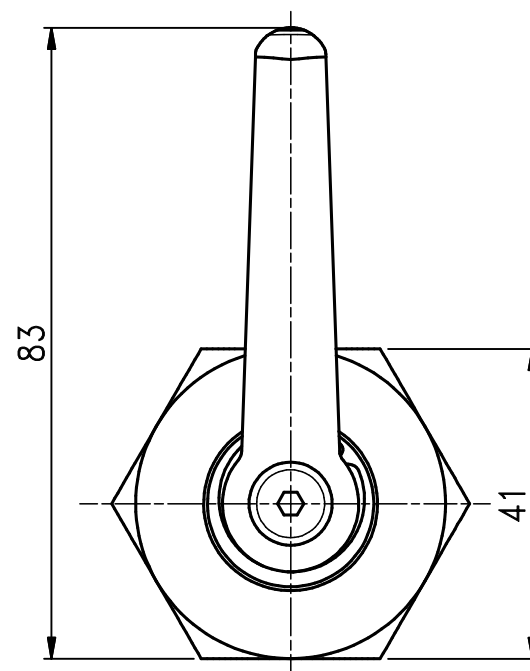
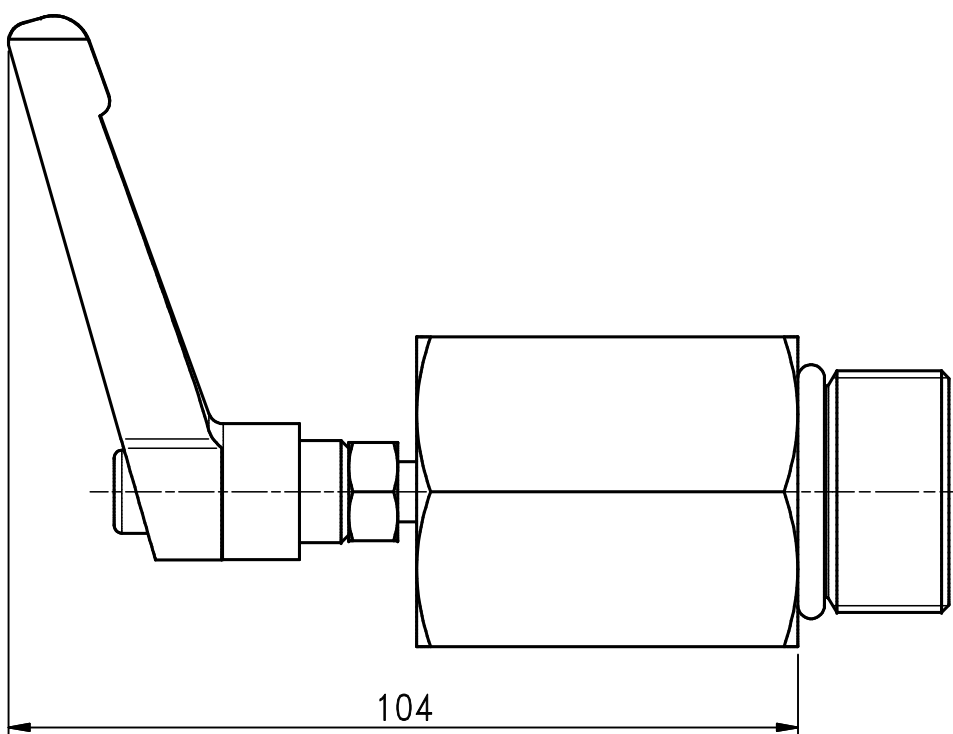


Per pompe serie - For pump series:
HAWK XXT

Rev. 1 01-2018

HAWK
Valvola Jetter 2016
Jetter Valve 2016

Pressione Massima - Maximum Pressure: 200 BAR - 2900 PSI
Peso - Weight: 723 g - 1.6 lb



Rev. 1 01-2018

HAWK
Valvola Jetter 2016
Jetter Valve 2016

JETTER VALVE 9.851-994.0 VALVOLA JETTER

Valve - Valvola	Pump model - Modello pompa
9.851-994.0	HAWK XXT

SPARE PARTS LIST

LISTA PARTI

<i>Pos. Item</i>	<i>Code</i>	<i>Description</i>	<i>Descrizione</i>	<i>Q.tà Q.ty</i>
1	9.850-908.0	Handle	<i>Manopola</i>	1
2	9.851-969.0	Nut	<i>Dado M8 zincato</i>	1
3	9.851-203.0	Snap ring	<i>Anello Seeger</i>	1
4	9.850-673.0	O-Ring dia. 2.62x17.13	<i>OR Ø2,62x17,13</i>	1
5	1.904-321.0	Stem-Pin Sub-assy	<i>Premontato Pistone-Spina</i>	1
6	9.850-269.0	Back Ring	<i>Anello antiestrusione</i>	1
7	9.850-682.0	O-Ring dia. 1.78x5.28	<i>OR Ø1,78x5,28</i>	1
8	9.850-436.0	Valve body	<i>Corpo Valvola</i>	1
9	9.850-707.0	O-Ring dia. 3.53x26.58	<i>OR Ø3,53x26,28</i>	1