

# MXT ESA 2024

Caratteristiche Tecniche

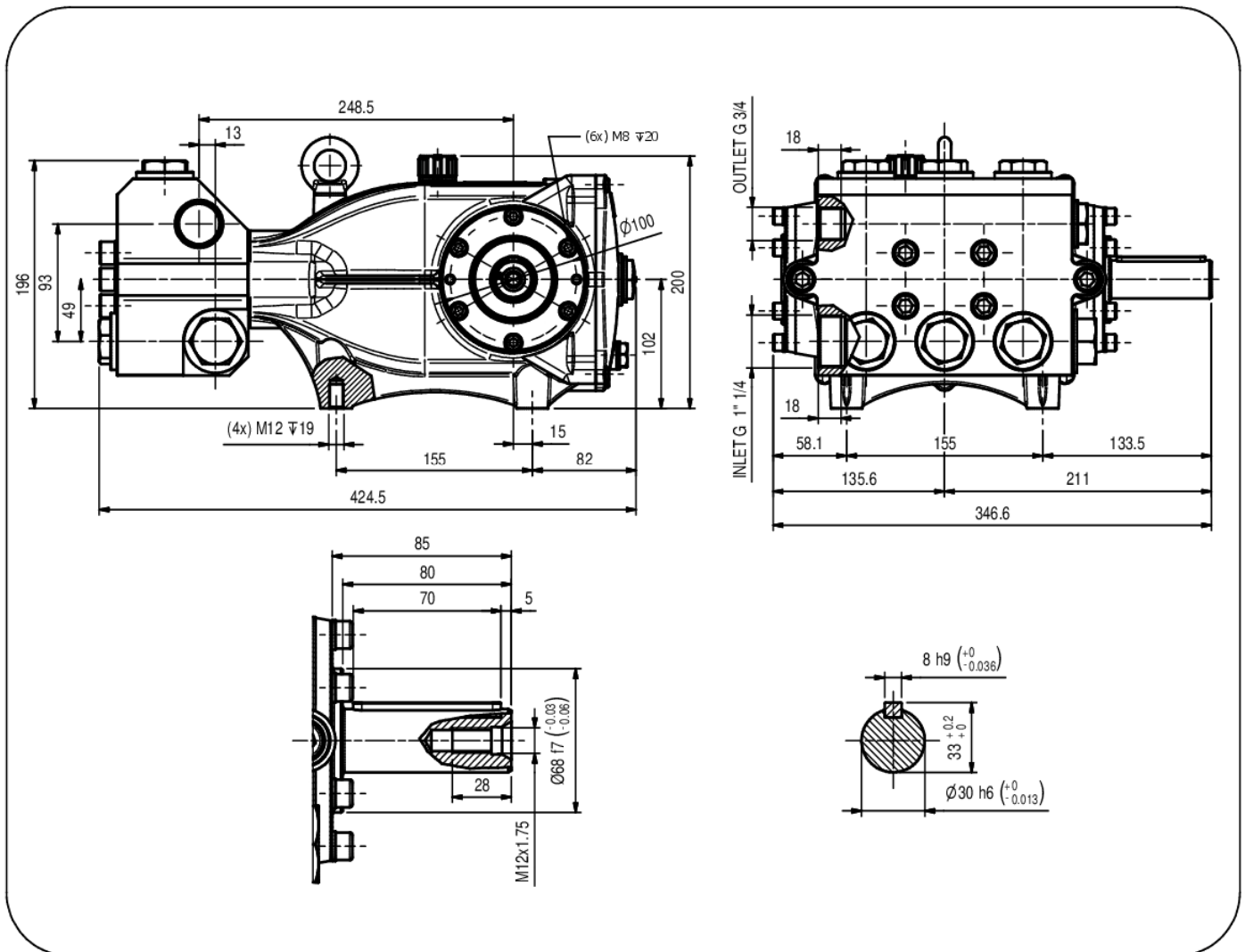
Albero maschio – Solid shaft

Technical Characteristics

Pump Pompa	Pressure Pressione		Volume Portata				RPM giri/min		Power Potenza			
			l/min		GPM				HP		kW	
	bar	PSI	50 Hz	60 Hz	50 Hz	60 Hz	50 Hz	60 Hz	50 Hz	60 Hz		
MXT7015ESA	150	2175	70	84	18.5	22.2	1450	1740	26.9	32.3	19.8	23.8
MXT8515ESA	150	2175	85	102	22.2	26.2	1450	1740	32.3	38.8	23.8	28.6
MXT1015ESA	150	2175	100	120	25.9	31.1	1450	1740	37.7	45.2	27.7	33.2

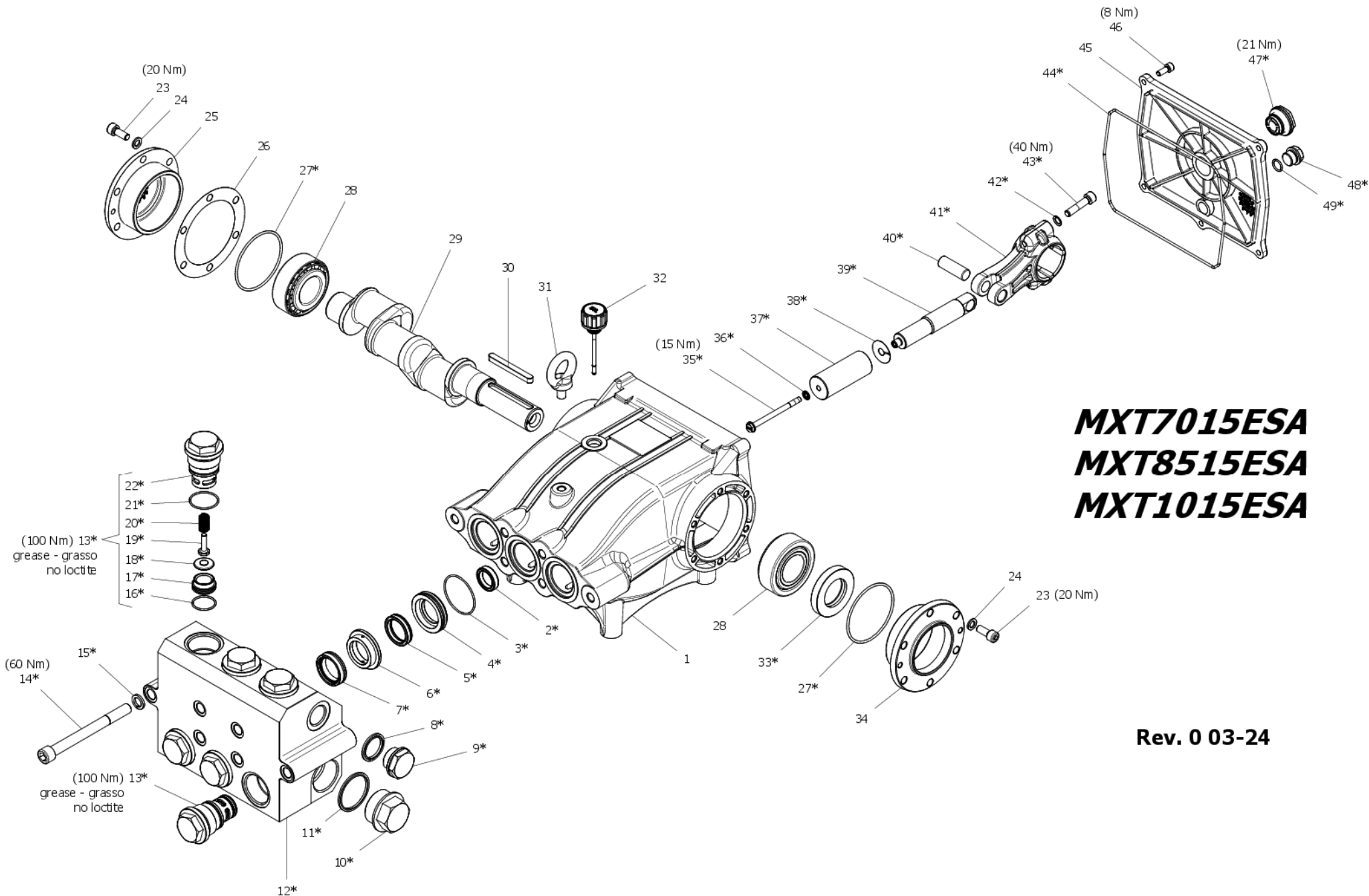
Dimensioni d'ingombro

Overall dimensions



Lubrificazione: Olio SAE 10W40  
Capacità: 2.3 Litri  
Peso pompa: 39 kg

Lubrication: SAE 10W40 Oil  
Capacity: 2.3 Litres  
Weight: 39 kg



**MXT7015ESA**  
**MXT8515ESA**  
**MXT1015ESA**

**Rev. 0 03-24**

**HAWK**  
**Pompe MXT ESA serie 2024**  
**MXT ESA Pumps 2024 series**

## MXT ESA SERIES 2024

### ORDINARY MAINTENANCE KIT / KIT MANUTENZIONE ORDINARIA

KIT	Item Pos	Part Number Codice	Description	Descrizione	Q.TY per pump - Q.TÀ per pompa	MXT7015ESA	MXT8515ESA	MXT1015ESA
A	3- 5- 7	1.905-226.0	PISTON SEAL PACKING	GUARNIZIONI PISTONE	1			
B	13 (16- 17- 18 19- 20- 21- 22)	1.905-228.0	COMPLETE VALVE	VALVOLE COMPLETE	1	•	•	•

### EXTRAORDINARY MAINTENANCE KIT / KIT MANUTENZIONE STRAORDINARIA

KIT	Item Pos	Part Number Codice	Description	Descrizione	Q.TY per pump - Q.TÀ per pompa	MXT7015ESA	MXT8515ESA	MXT1015ESA
C	3- 4- 5- 6- 7	1.905-227.0	COMPLETE SEAL PACKING	PACCO COMPLETO GUARNIZIONI	1			
D	35- 36- 37- 38	1.904-955.0	PLUNGER	PISTONE	3			
E	2	1.905-545.0	PLUNGER OIL SEALS	ANELLI TENUTA OLIO ASTA	1			
F	27- 33- 44- 48- 49	1.099-805.0	KIT CRANCKASE SEALS	KIT TENUTE CARTER	1	•	•	•
G	3- 4- 5- 6- 7- 8- 9- 10- 11- 12- 13 (16 17- 18- 19- 20- 21 22) 14- 15	1.905-229.0	COMPLETE MANIFOLD	TESTATA COMPLETA	1			
H	39- 40- 41- 42- 43	1.904-428.0	PLUNGER ROD CONNECTING ROD	ASTA PISTONE-BIELLA	3			

“Q.TY by Pump” => Necessary quantity to repair one pump  
 “Q.TA’ per Pompa” => Quantità necessaria per riparare una pompa

Part number Codice	Description	Descrizione
1.905-136.0	TOOL KIT	TOOL KIT
1.904-418.0	TOOL KIT EXTRAORDINARY	TOOL KIT STRAORDINARIA

### IMPORTANT IMPORTANTE

\* Part available ONLY in kit  
 Disponibile SOLO in kit

(...) Parts pre-assembled  
 Parti pre-assemblate

## PARTS LIST LISTA PARTI

Item Pos	Part Number Codice	Description	Descrizione	KIT	Q.TY Q.TÀ	MXT7015ESA	MXT8515ESA	MXT1015ESA
1	9.853-937.0	MXT EBCH RED CRANKCASE	CARTER ROSSO MXT EBCH		1			
2*		PLUNGER OIL SEAL HNBR	ANELLO RADIALE HNBR	E	3			
3*		O-RING DIA. 1.78x47,35 EPDM	O-RING Ø1,78x47,35 EPDM	A-C-G	3			
4*		STAINLESS STEEL PRESSURE RING	PRESSORE INOX	C-G	3			
5*		"U" SEAL DIA. 30 mm	GUARNIZIONE "U" Ø30	A-C-G	3			
6*		STAINLESS STEEL INTERMEDIATE RING	DIFFUSORE INOX	A-C-G	3			
7*		"U" SEAL DIA. 30 mm	GUARNIZIONE "U" Ø30	A-C-G	3			
8*		STAINLESS STEEL BONDED SEAL G3/4"	BONDED SEAL G3/4" INOX	G	1			
9*		STAINLESS STEEL PLUG G3/4"	TAPPO G3/4 INOX	G	1			
10*		STAINLESS STEEL PLUG G1" 1/4	TAPPO G1" 1/4 INOX	G	1			
11*		STAINLESS STEEL BONDED SEAL G 1" 1/4	BONDED SEAL G 1" 1/4 INOX	G	1			
12*		STAINLESS STEEL MANIFOLD HOUSING	TESTATA INOX	G	1			
13*		VALVE ASSEMBLY	VALVOLA PREMONTATA	B-G	1			
14*		STAINLESS STEEL MANIFOLD HOUSING SCREW	VITE TCEI M12x130 ISO 4762 A2-70	G	6			
15*		STAINLESS STEEL SPRING WASHER M12	ROSETTA ELASTICA M12 INOX	G	6	•	•	•
16*		O-RING DIA. 1.78x25,12 EPDM	O-RING Ø1,78x25,12 EPDM	B-G	6			
17*		STAINLESS STEEL VALVE CAGE	SEDE VAM INOX	B-G	6			
18*		STAINLESS STEEL VALVE PLATE	PIATTELLO VAM INOX	B-G	6			
19*		STAINLESS STEEL VALVE STEM	STELO VAM INOX	B-G	6			
20*		STAINLESS STEEL VALVE SPRING	MOLLA VAM INOX	B-G	6			
21*		O-RING DIA. 1.78x31,47 EPDM	O-RING Ø1,78x31,47 EPDM	B-G	6			
22*		STAINLESS STEEL VALVE PLUG	TAPPO VAM INOX	B-G	6			
23	9.851-476.0	STAINLESS STEEL BEARING HOUSING SCREW	VITE TCEI M8x30 ISO 4732 A2-70		12			
24	9.851-133.0	WASHER STAINLESS STEEL	ROSETTA M8 INOX		12			
25	9.853-746.0	RED BEARING HOUSING	FLANGIA CHIUSA ROSSA		1			
26	9.850-556.0	SHIM 0,1mm	DISTANZIALE FLANGIA 0,1mm		1			
	9.850-557.0	SHIM 0,05mm	DISTANZIALE FLANGIA 0,05mm		1			
27*		O-RING DIA. 2.62x71.12 NBR	O-RING Ø2,62x71,12 NBR	F	2			
28	9.851-963.0	ROLLER BEARING	CUSCINETTO		2			
29	9.850-229.0	CRANKSHAFT SPTO Ø30	ALBERO SPTO Ø30		1			•
	9.850-231.0	CRANKSHAFT SPTO Ø30	ALBERO SPTO Ø30		1		•	
	9.850-232.0	CRANKSHAFT SPTO Ø30	ALBERO SPTO Ø30		1	•		
30	9.850-450.0	CRANKSHAFT KEY	LINGUETTA		1			
31	9.851-457.0	EYEBOLT	GOLFARE		1			
32	9.851-287.0	OIL DIP STICK	TAPPO SFIATO OLIO		1	•	•	•
33*		PLUNGER OIL SEAL	ANELLO RADIALE	F	1			
34	9.853-745.0	RED OPEN BEARING HOUSING	FLANGIA APERTA ROSSA		1			

Item Pos	Part Number Codice	Description	Descrizione	KIT	Q.TY Q.TÀ	MX T7015ESA	MX T8515ESA	MX T1015ESA
35*		STAINLESS STEEL PLUNGER SCREW	VITE PISTONE M6x80 A2-70	D	3			
36*		STAINLESS STEEL BONDED SEAL M6	BONDED SEAL M6 INOX	D	3			
37*		PLUNGER	PISTONE	D	3			
38*		STAINLESS STEEL PLUNGER SPACER	ROSETTA PISTONE INOX	D	3			
39*		PLUNGER ROD	ASTA GUIDA PISTONE	H	3			
40*		CONNECTING ROD PIN	SPINOTTO	H	3			
41*		CONNECTING ROD	BIELLA	H	3			
42*		SCHNORR WASHER	ROSETTA SCHNORR	H	6	•	•	•
43*		CONNECTING ROD BOLT	VITE BIELLA M6x35 ISO 4762	H	6			
44*		O-RING	O-RING	F	1			
45	9.850-393.0	RED CRANKCASE COVER	COPERCHIO POSTERIORE ROSSO		1			
46	9.851-475.0	STAINLESS STEEL COVER SCREW	VIT TCEI M16x16 ISO 4762 A2-70		5			
47*		SIGHT GLASS G 3/4"	SPIA LIVELLO OLIO G3/4	F	1			
48*		BRASS PLUG G3/8"	TAPPO G3/8"	F	1			
49*		O-RING	O-RING	F	1			