

NHD G1

Caratteristiche Tecniche

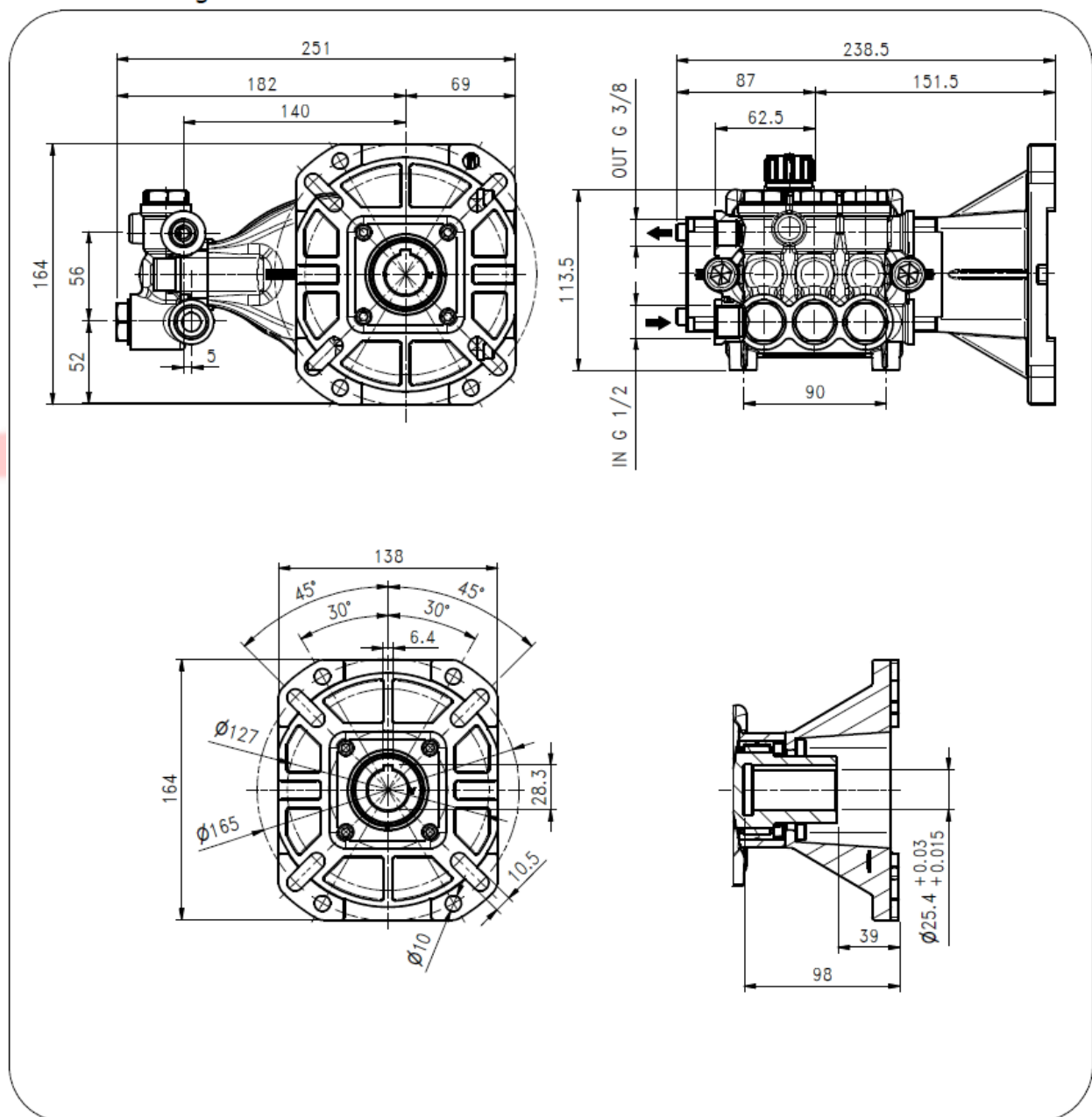
SAE J609b

Technical Characteristics

Pump Pompa	Pressure Pressione		Volume Portata		RPM giri/min	Power Potenza	
	bar	PSI	l/min	GPM		HP	kW
NHD1120G1	200	2900	11.4	2.2	3400	6.0	4.4
NHD1320G1	200	2900	13	3.5	3400	6.8	5.0
NHD1420G1	200	2900	14.4	3.8	3400	7.5	5.5

Dimensioni d'ingombro

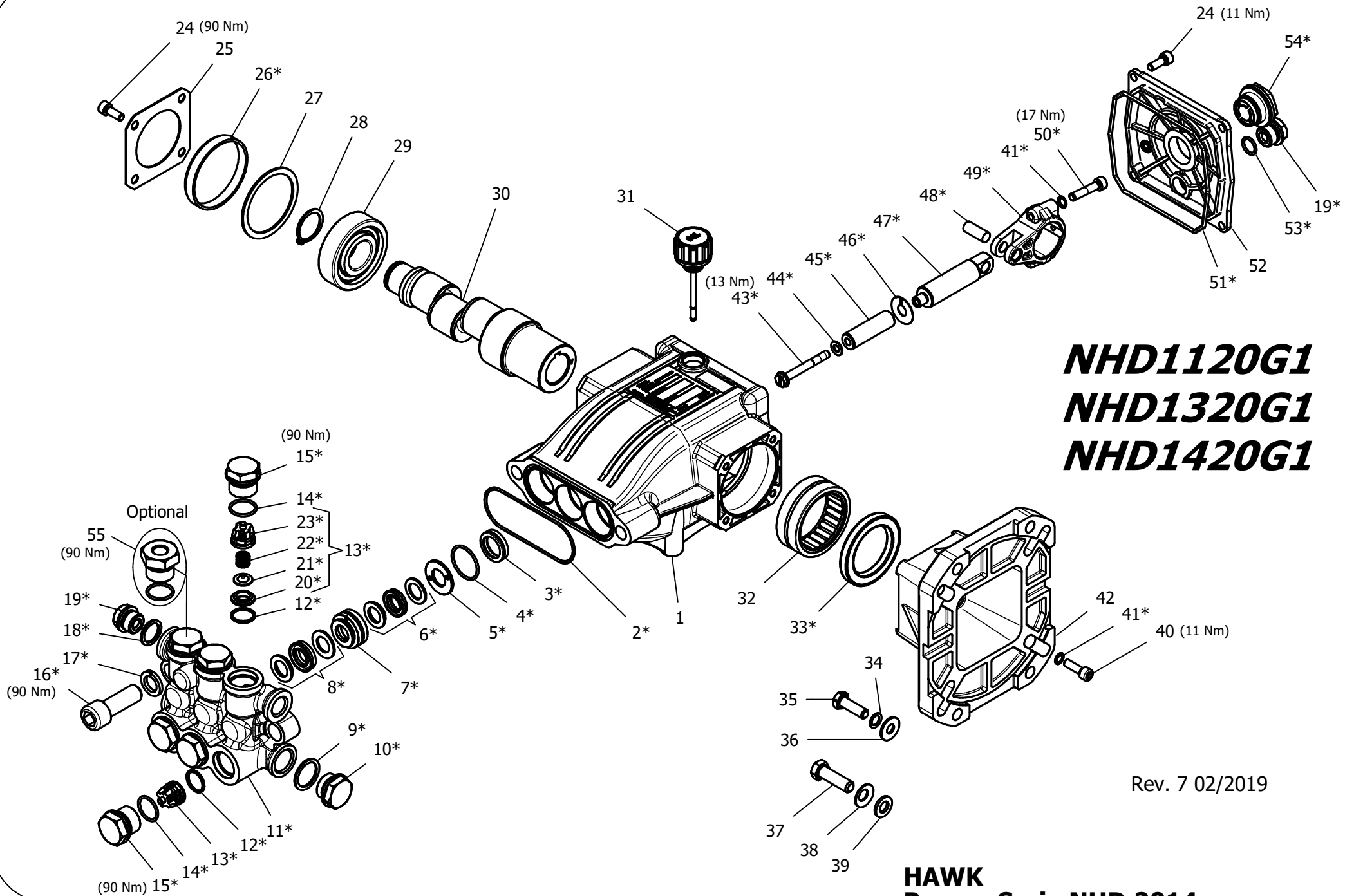
Overall dimensions



Lubrificazione: Olio SAE 10W40
 Capacità: 0.4 Litri
 Peso pompa: 8 kg

Lubrication: SAE 10W40 Oil
 Capacity: 0.4 Litres
 Weight: 8 kg

LEUCO S.p.A.



NHD1120G1
NHD1320G1
NHD1420G1

Rev. 7 02/2019

HAWK
Pompe Serie NHD 2014
NHD Pumps 2014 Series

NHD G1 2014 SERIES

ORDINARY MAINTENANCE KIT / KIT MANUTENZIONE ORDINARIA

KIT	Item Pos.	Part Number Codice	Description	Descrizione	Q.TY by Pump Q.TA per Pompa	NHD120G1R/L	NHD1320G1R/L	NHD1420G1R/L
A	2- 4- 6- 8- 16	1.099-831.0	PLUNGER SEALS DIA. 14 mm	GUARNIZIONI PISTONE Ø14	1			
B	12- 13 (20 21- 22- 23) 14	1.905-617.0	COMPLETE VALVE	VALVOLA COMPLETA	1	•	•	•

EXTRAORDINARY MAINTENANCE KIT / KIT MANUTENZIONE STRAORDINARIA

KIT	Item Pos.	Part Number Codice	Description	Descrizione	Q.TY by Pump Q.TA per Pompa	NHD120G1R/L	NHD1320G1R/L	NHD1420G1R/L
C	2- 4- 5- 6- 7- 8 16	1.905-623.0	COMPLETE SEALS PACKING DIA. 14 mm	PACCO COMPLETO GUARNIZIONI PISTONE Ø14	1			
D	43- 44- 45- 46	1.099-833.0	PLUNGER DIA. 14 mm	PISTONE Ø14	3			
E	3	1.099-740.0	PLUNGER OIL SEALS	ANELLI TENUTA OLIO ASTA	1			
F	19- 26- 33- 51 53- 54	1.905-622.0	KIT CRANKCASE SEALS	KIT TENUTE CARTER	1	•	•	•
G	2- 4- 5- 6- 7 8- 9- 10- 11- 12 13 (20- 21- 22 23) 14- 15- 16 17- 18- 19	1.099-834.0	COMPLETE MANIFOLD	TESTATA COMPLETA	1			
H	41- 47- 48- 49 50	1.904-183.0	CONNECTING ROD PLUNGER ROD ASSY	PREMONTATO ASTA-BIELLA PISTONE	3			
I	14- 15	1.904-249.0	VALVE PLUG ASSY	PREMONTATO TAPPO VAM	6			

“Q.TY by Pump” => Necessary quantity to repair one pump
 “Q.TA’ per Pompa” => Quantità necessaria per riparare una pompa

OPTIONAL

Item Pos.	Part Number Codice	Description	Descrizione	Q.TY by Pump Q.TA per Pompa	NHD1120G1R/L	NHD1320G1R/L	NHD1420G1R/L
55	9.853-424.0	THREADED BRASS PLUG G1/4	PREMONTATO TAPPO FORATO	1	•	•	•

TOOL KIT

Part Number Codice	Description	Descrizione	Q.TY by Pump Q.TA per Pompa	NHD1120G1R/L	NHD1320G1R/L	NHD1420G1R/L
1.099-668.0	TOOL-KIT	TOOL-KIT	1	•	•	•
1.905-591.0	OIL SEAL EXTRACTOR TOOL-KIT	TOOL-KIT ESTR. PARAOLIO	1	•	•	•

IMPORTANT

IMPORTANTE

* **Part available ONLY in kit**
Disponibile SOLO in kit

(...) **Parts pre-assembled**
Parti pre-assemblate

PARTS LIST LISTA PARTI

Item Pos	Part Number Codice	Description	Descrizione	KIT	Q.TY Q.TÀ	NHD1120G1R/L	NHD1320G1R/L	NHD1420G1R/L
1	9.850-369.0	CRANKCASE	CARTER		1			
2*		"O" RING Ø1.78X72.75	"O" RING Ø1.78X72.75	A-C-G	1			
3*		PLUNGER OIL SEAL	ANELLO RADIALE	E	3			
4*		"O" RING Ø1.78X26.7	"O" RING Ø1.78X26.7	A-C-G	3			
5*		PRESSURE RING WASHER DIA. 14 MM	RONDELLA PRESSORE Ø14	C-G	3			
6*		"U" SEAL, DIA. 14 MM	ANELLO TENUTA "U" Ø14	A-C-G	3			
7*		PRESSURE RING DIA. 14 MM	PRESSORE "U" Ø14	C-G	3			
8*		"U" SEAL, DIA. 14 MM	ANELLO TENUTA "U" Ø14	A-C-G	3			
9*		COPPER WASHER G1/2	GUARNIZIONE RAME G1/2	G	1			
10*		BRASS PLUG G1/2	TAPPO OTTONE G1/2	G	1			
11*		MANIFOLD HOUSING	TESTATA	G	1			
12*		"O" RING Ø1.78X15.6	"O" RING Ø1.78X15.6	B-G	6			
13*		VALVE ASSEMBLY	VALVOLA PREMONTATA	B-G	6			
14*		"O" RING Ø1.78X18.77	"O" RING Ø1.78X18.77	B-G-I	6			
15*		VALVE PLUG	TAPPO VALVOLA	G-I	6	•	•	•
16*		MANIFOLD STUD BOLT M14X40	VITE TCEI M14X40	A-C-G	2			
17*		LOCK-WASHER	ROSETTA ELASTICA Ø14	G	2			
18*		COPPER WASHER G3/8	GUARNIZIONE RAME G 3/8	G	1			
19*		BRASS PLUG G 3/8	TAPPO OTTONE G 3/8	F-G	2			
20*		VALVE SEAT	SEDE VALVOLA	B-G	6			
21*		VALVE PLATE	PIATTELLO VALVOLA	B-G	6			
22*		VALVE SPRING	MOLLA VALVOLA	B-G	6			
23*		VALVE CAGE	GABBIA VALVOLA	B-G	6			
24	9.851-474.0	SCREW M6X16	VITE TCEI M6X16		12			
25	9.850-379.0	BEARING COVER	COPERCHIO CUSCINETTO		2			
26*		BEARING SEAL	CAPPELLOTTO CUSCINETTO	F	1			
27	9.850-554.0	CRANKSHAFT SEAL SPACER	DISTANZIALE PARAOLIO ALBERO		2			
28	9.851-198.0	SNAP RING DIA. 25 MM	ANELLO Ø25		1			
29	9.850-460.0	BALL BEARING	CUSCINETTO A SFERE		2			
30	9.850-242.0	HOLLOW SHAFT	ALBERO CAVO		1	•		
	9.850-241.0	" "	" "		1		•	
	9.850-221.0	" "	" "		1			•
31	9.851-286.0	OIL DIP STICK	TAPPO LIVELLO OLIO		1			
32	9.850-354.0	NEEDLE ROLLER BEARING	CUSCINETTO A RULLINI		1			
33*		CRANKSHAFT SEAL	ANELLO RADIALE	F	1	•	•	•
34	9.851-152.0	LOCK-WASHER	ROSETTA ELASTICA Ø8.4		4			
35	9.851-509.0	HEXAGONAL SCREW	VITE 5/16"X1		4			
36	9.851-131.0	WASHER	ROSETTA PIANA Ø8.4		4			

Item Pos	Part Number Codice	Description	Descrizione	KIT	Q.TY Q.TÀ	NHD1120G1R/L	NHD1320G1R/L	NHD1420G1R/L
37	9.851-510.0	SCREW	VITE 3/8"		4			
38	9.850-839.0	LOCK-WASHER	ROSETTA ELASTICA Ø10		4			
39	9.851-132.0	WASHER	ROSETTA PIANA Ø10		4			
40	9.851-491.0	SCREW M6X20	VITE TCEI M6X20		4			
41*		SPRING WASHER DIA. 6 MM	ROSETTA SCHNORR Ø6	F	10			
42	9.850-633.0	ENGINE FLANGE	FLANGIA MOTORE		1			
43*		PLUNGER BOLT	VITE PISTONE	D	3			
44*		BONDED SEAL - Ø6,7X11X1 AISI 304	BONDED SEAL - Ø6,7X11X1 AISI 304	D	3			
45*		PLUNGER DIA. 14 MM	PISTONE Ø14	D	3			
46*		COPPER SPACER	ROSETTA RAME	D	3	•	•	•
47*		PLUNGER ROD	ASTA PISTONE	H	3			
48*		CONNECTING ROD PIN	SPINOTTO	H	3			
49*		CONNECTING ROD	BIELLA	H	3			
50*		CONNECTING ROD SCREW	VITE M6X30	H	6			
51*		"O" RING Ø2.62X111.62	"O" RING Ø2.62X111.62	F	1			
52	9.850-392.0	CRANKCASE COVER	COPERCHIO POSTERIORE		1			
53*		"O" RING Ø1.78X14	"O" RING Ø1.78X14	F	1			
54*		SIGHT GLASS G3/4	SPIA LIVELLI OLIO G3/4	F	1			