

# NHD – 120 BAR

Caratteristiche Tecniche

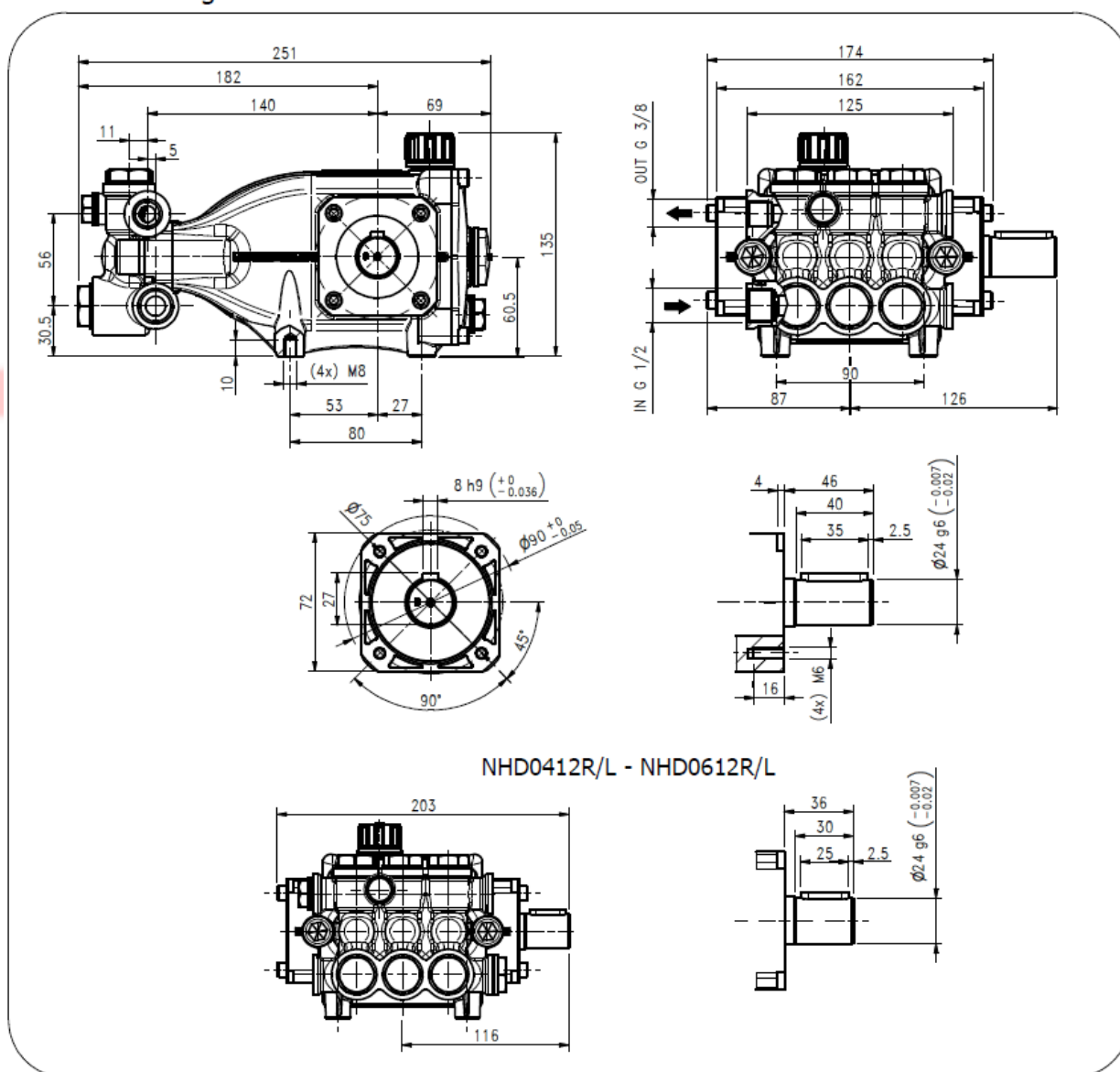
Albero maschio – Solid shaft

Technical Characteristics

Pump Pompa	Pressure Pressione		Volume Portata				RPM giri/min		Power Potenza			
			l/min		GPM				HP		kW	
	bar	PSI	50 Hz	60 Hz	50 Hz	60 Hz	50 Hz	60 Hz	50 Hz	60 Hz	50 Hz	60 Hz
NHD0412	120	1740	4	4.8	1.1	1.3	1450	1740	1.2	1.5	0.9	1.1
NHD0612	120	1740	6	7.2	1.6	1.9	1450	1740	1.9	2.3	1.4	2.3
NHD8512	120	1740	8.5	10.1	2.2	2.7	1450	1740	2.6	3.1	1.9	2.3
NHD1012	120	1740	10	12	2.6	3.2	1450	1740	3.0	3.6	2.2	2.6
NHD1112	120	1740	11	13.2	2.9	3.5	1450	1740	3.4	4.1	2.5	3.0
NHD1212	120	1740	12	14	3.1	3.7	1450	1740	3.6	4.4	2.7	3.2

Dimensioni d'ingombro

Overall dimensions

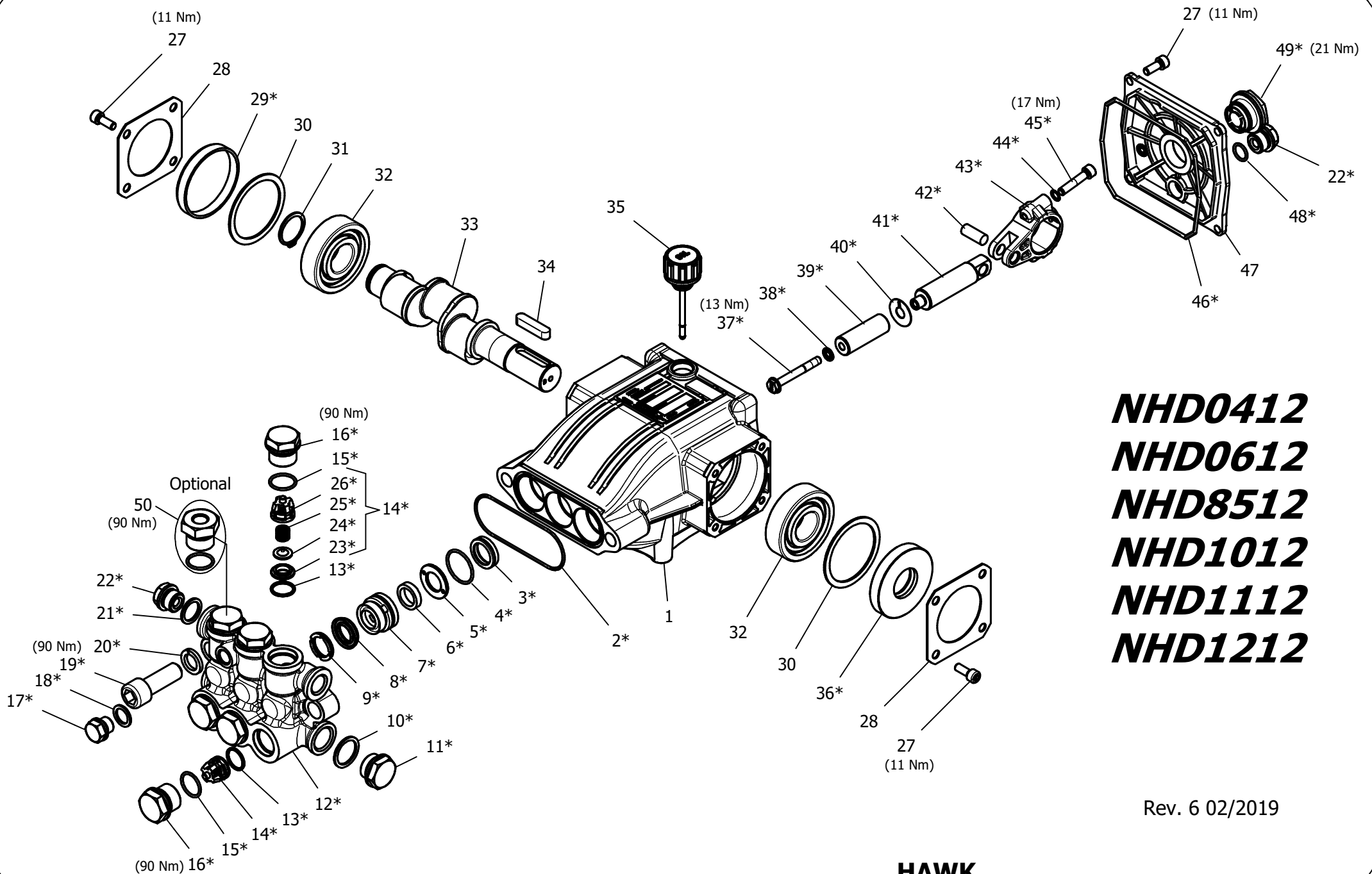


NHD0412R/L - NHD0612R/L

Lubrificazione: Olio SAE 10W40  
Capacità: 0.4 Litri  
Peso pompa: 7.3kg

Lubrication: SAE 10W40 Oil  
Capacity: 0.4 Litres  
Weight: 7.3 kg

LEUCO S.p.A.



***NHD0412***  
***NHD0612***  
***NHD8512***  
***NHD1012***  
***NHD1112***  
***NHD1212***

Rev. 6 02/2019

**HAWK**  
**Pompe Serie NHD 2014**  
**NHD Pumps 2014 Series**

## NHD 2014 SERIES

### ORDINARY MAINTENANCE KIT / KIT MANUTENZIONE ORDINARIA

KIT	Item Pos.	Part Number Codice	Description	Descrizione	Q.TY by Pump Q.TA per Pompa	NHD0412R/L	NHD0612R/L	NHD8512R/L	NHD1012R/L	NHD1112R/L	NHD1212R/L
A	2- 4- 5- 6- 7- 8 9- 19	1.905-668.0	PLUNGER SEALS DIA. 16 mm	GUARNIZIONI PISTONE Ø16	1						
B	13- 14 (23- 24 25- 26) 15	1.905-617.0	COMPLETE VALVE	VALVOLA COMPLETA	1	•	•	•	•	•	•

### EXTRAORDINARY MAINTENANCE KIT / KIT MANUTENZIONE STRAORDINARIA

KIT	Item Pos.	Part Number Codice	Description	Descrizione	Q.TY by Pump Q.TA per Pompa	NHD0412R/L	NHD0612R/L	NHD8512R/L	NHD1012R/L	NHD1112R/L	NHD1212R/L
C	37- 38- 39- 40	1.099-738.0	PLUNGER DIA. 16 mm	PISTONE Ø16	3						
D	3	1.099-740.0	PLUNGER OIL SEALS	ANELLI TENUTA OLIO ASTA	1						
E	22- 29- 36- 46 48- 49	1.905-624.0	KIT CRANKCASE SEALS	KIT TENUTE CARTER	1						
F	2- 4- 5- 6- 7 8- 9- 10- 11 12- 13- 14 (23 24- 25- 26) 15- 16- 17- 18 19- 20- 21- 22	1.099-741.0	COMPLETE MANIFOLD	TESTATA COMPLETA	1	•	•	•	•	•	•
G	41- 42- 43- 44 45	1.904-183.0	CONNECTING ROD PLUNGER ROD ASSY	PREMONTATO ASTA-BIELLA PISTONE	3						
H	15- 16	1.904-249.0	VALVE PLUG ASSY	PREMONTATO TAPPO VAM	6						

“Q.TY by Pump” => Necessary quantity to repair one pump  
 “Q.TA’ per Pompa” => Quantità necessaria per riparare una pompa

### OPTIONAL

Item Pos.	Part Number Codice	Description	Descrizione	Q.TY by Pump Q.TA per Pompa	NHD0412R/L	NHD0612R/L	NHD8512R/L	NHD1012R/L	NHD1112R/L	NHD1212R/L
50	9.853-424.0	THREADED BRASS PLUG G1/4	PREMONTATO TAPPO FORATO	1	•	•	•	•	•	•

### TOOL KIT

Part Number Codice	Description	Descrizione	Q.TY by Pump Q.TA per Pompa	NHD0412R/L	NHD0612R/L	NHD8512R/L	NHD1012R/L	NHD1112R/L	NHD1212R/L
1.099-668.0	TOOL-KIT	TOOL-KIT	1	•	•	•	•	•	•
1.905-591.0	OIL SEAL EXTRACTOR TOOL-KIT	TOOL-KIT ESTR. PARAOLIO	1	•	•	•	•	•	•

#### IMPORTANT

#### IMPORTANTE

\* **Part available ONLY in kit**  
Disponibile SOLO in kit

(...) **Parts pre-assembled**  
Parti pre-assemblate

## PARTS LIST LISTA PARTI

Item Pos	Part Number Codice	Description	Descrizione	KIT	Q.TY Q.TÀ	NHD0412R/L	NHD0612R/L	NHD8512R/L	NHD1012R/L	NHD1112R/L	NHD1212R/L
1	9.850-369.0	CRANKCASE	CARTER		1						
2*		"O" RING Ø1.78X74.5	"O" RING Ø1.78X74.5	A-F	1						
3*		PLUNGER OIL SEAL	ANELLO RADIALE	D	3						
4*		"O" RING Ø1.78X26.7	"O" RING Ø1.78X26.7	A-F	3						
5*		PRESSURE RING WASHER DIA. 16 MM	RONDELLA PRESSORE Ø16	A-F	3						
6*		"U" SEAL, DIA. 16 MM	ANELLO TENUTA "U" Ø16	A-F	3						
7*		PRESSURE RING DIA. 16 MM	PRESSORE "V" Ø16	A-F	3						
8*		"V" SEAL, DIA. 16 MM	ANELLO TENUTA "V" Ø16	A-F	3						
9*		SUPPORT RING DIA. 16 MM	DIFFUSORE Ø16	A-F	1						
10*		COPPER WASHER G1/2	GUARNIZIONE RAME G1/2	F	1						
11*		BRASS PLUG G1/2	TAPPO OTTONE G1/2	F	1						
12*		MANIFOLD HOUSING	TESTATA	F	1						
13*		"O" RING Ø1.78X15.6	"O" RING Ø1.78X15.6	B-F	6						
14*		VALVE ASSEMBLY	VALVOLA PREMONTATA	B-F	6						
15*		"O" RING Ø1,78X18.77	"O" RING Ø1.78X18.77	B-F-H	6						
16*		VALVE PLUG	TAPPO VALVOLA	F-H	6						
17*		BRASS PLUG G1/4	TAPPO OTTONE G1/4	F	1	•	•	•	•	•	•
18*		COPPER WASHER G1/4	GUARNIZIONE RAME G1/4	F	1						
19*		MANIFOLD STUD BOLT M14X40	VITE TCEI M14X40	A-F	2						
20*		LOCK-WASHER	ROSETTA ELASTICA Ø14	F	2						
21*		COPPER WASHER G3/8	GUARNIZIONE RAME G 3/8	F	1						
22*		BRASS PLUG G 3/8	TAPPO OTTONE G 3/8	F-E	2						
23*		VALVE SEAT	SEDE VALVOLA	B-F	6						
24*		VALVE PLATE	PIATTELLO VALVOLA	B-F	6						
25*		VALVE SPRING	MOLLA VALVOLA	B-F	6						
26*		VALVE CAGE	GABBIA VALVOLA	B-F	6						
27	9.851-474.0	SCREW M6X16	VITE TCEI M6X16		12						
28	9.850-379.0	BEARING COVER	COPERCHIO CUSCINETTO		2						
29*		BEARING SEAL	CAPPELLOTTO CUSCINETTO	E	1						
30	9.850-554.0	CRANKSHAFT SEAL SPACER	DISTANZIALE PARAOLIO ALBERO		2						
31	9.851-198.0	SNAP RING DIA. 25 MM	ANELLO Ø25		1						
32	9.850-460.0	BALL BEARING	CUSCINETTO A SFERE		2						
33	9.850-225.0	SINGLE-ENDED SHAFT	ALBERO SEMPLICE P.D.F		1						•
	9.850-226.0	" " "	" " "		1			•			
	9.850-227.0	" " "	" " "		1				•		
	9.851-956.0	" " "	" " "		1						•
	9.850-245.0	" " "	" " "		1	•					
	9.850-246.0	" " "	" " "		1		•				

Item Pos	Part Number Codice	Description	Descrizione	KIT	Q.TY Q.TÀ	NHD0412R/L	NHD0612R/L	NHD8512R/L	NHD1012R/L	NHD1112R/L	NHD1212R/L
34	9.850-446.0	CRANKSHAFT KEY	CHIAVETTA		1			•	•	•	•
	9.850-443.0	“ “	“		1	•	•				
35	9.851-286.0	OIL DIP STICK	TAPPO LIVELLO OLIO		1						
36*		CRANKSHAFT SEAL	ANELLO RADIALE	E	1						
37*		PLUNGER BOLT	VITE PISTONE	C	3						
38*		BONDED SEAL - Ø6,7X11X1 AISI 304	BONDED SEAL - Ø6,7X11X1 AISI 304	C	3						
39*		PLUNGER DIA. 16 MM	PISTONE Ø16	C	3						
40*		COPPER SPACER	ROSETTA RAME	C	3						
41*		PLUNGER ROD	ASTA PISTONE	G	3						
42*		CONNECTING ROD PIN	SPINOTTO	G	3	•	•	•	•	•	•
43*		CONNECTING ROD	BIELLA	G	3						
44*		SPRING WASHER DIA. 6 MM	ROSETTA SCHNORR Ø6	G	6						
45*		CONNECTING ROD SCREW	VITE M6X30	G	6						
46*		"O" RING Ø2.62X111.62	"O" RING Ø2.62X111.62	E	1						
47	9.850-392.0	CRANKCASE COVER	COPERCHIO POSTERIORE		1						
48*		"O" RING Ø1.78X14	"O" RING Ø1.78X14	E	1						
49*		SIGHT GLASS G3/4	SPIA LIVELLI OLIO G3/4	E	1						